

SMD Type Crystal Resonators

DSX530G



■ Features

- Miniature SMD crystal resonators. (height 1.2mm)
- Reliable ceramic package provides high resistance against extreme environment.
- Good for automatic mounting and reflow soldering.

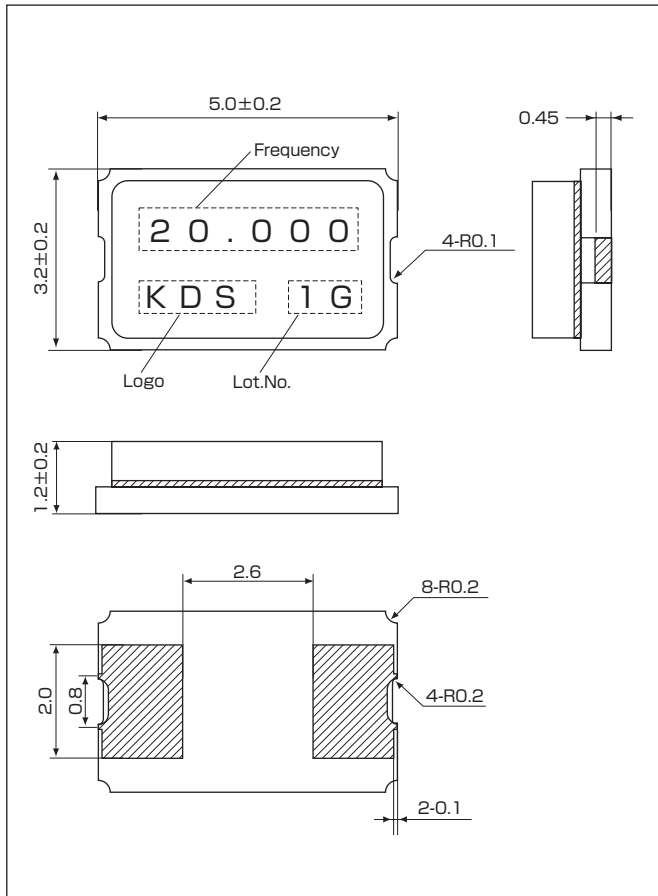
■ Generic Specification

| Item | Type | DSX530G | | |
|--|------|---|----------|----------|
| Frequency Range | | 12~20MHz | 20~27MHz | 27~50MHz |
| Vibration Mode | | Fundamental | | |
| Load Capacitance | | Series, 8pF, 10pF, 12pF | | |
| Drive Level | | 10μW (300μW max.) | | |
| Frequency Tolerance | | ±30×10 ⁻⁶ , ±50×10 ⁻⁶ , ±100×10 ⁻⁶ (at 25°C) | | |
| Series Resistance | | 100Ω max. | 80Ω max. | 50Ω max. |
| Frequency Characteristics over Temperature | | ±30×10 ⁻⁶ / -10~+60°C(Ref. to 25°C) | | |
| | | ±50×10 ⁻⁶ / -20~+70°C(Ref. to 25°C) | | |
| | | ±100×10 ⁻⁶ / -30~+80°C(Ref. to 25°C) | | |
| Storage Temperature Range | | -40~+85°C | | |

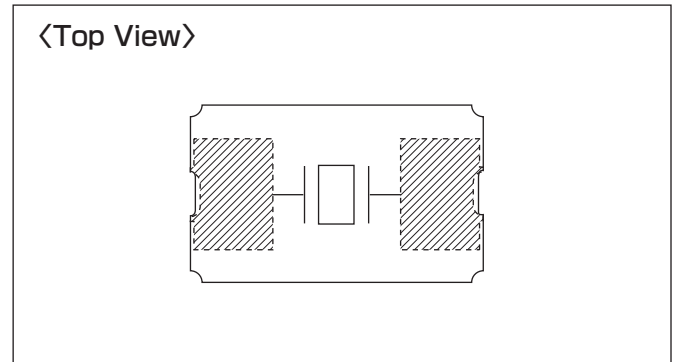
Packing Unit : 1000pcs./reel

Consult our sales representative for other specifications or special specifications.

■ Dimensions[mm]



■ Internal Connections



■ Recommended Land Pattern [mm]

