

Preliminary



XRD9859/98L59

CCD Image Digitizers with
CDS, PGA and 10-Bit A/D

March 2000-3

FEATURES

- 10-bit Resolution ADC
- 20MHz Sampling Rate
- Programmable Gain: 6dB to 38dB PGA (2x to 80x)
- Improved Digitally Controlled Offset-Calibration with Pixel Averager and Hot Pixel Clipper
- DNS Filter Removes Black Level Digital Noise
- Widest Black Level Calibration Range at Maximum Gain
- Manual Control of Offset DAC via Serial Port for Use with High Speed Scanners
- 2ns/step Programmable Aperture Delay on SPIX and SBLK
- Single 5V \pm 10% or 3V \pm 10% Power Supply
- Low Power for Battery Operation
XRD9859: 250mW @ $V_{DD}=5.0V$
XRD98L59: 120mW @ $V_{DD}=3.0V$

- 10 μ A Typical Stand By Mode Current
- Three-State Digital Outputs
- 2,000V ESD Protection
- 28-pin SSOP Package

APPLICATIONS

- Digital Still Cameras
- Digital Camcorders
- PC Video Cameras
- CCTV/Security Cameras
- Industrial/Medical Cameras
- 2D Bar Code Readers
- High Speed Scanners
- Digital Copiers

GENERAL DESCRIPTION

The XRD9859 is a complete low power CCD Image Digitizer for digital, motion and still cameras. The product includes a high bandwidth differential Correlated Double Sampler (CDS), 8-bit digitally Programmable Gain Amplifier (PGA), 10-bit Analog-to-Digital Converter (ADC) and improved digitally controlled black level auto-calibration circuitry with pixel averager hot pixel clipper, and a DNS filter.

The Correlated Double Sampler (CDS) subtracts the CCD output signal black level from the video level. Common mode signal and power supply noise are rejected by the differential CDS input stage.

The PGA is digitally controlled with 8-bit resolution on a linear dB scale, resulting in a gain range of 6dB to 38dB with 0.125dB per LSB of the gain code.

The auto calibration circuit compensates for any internal offset of the XRD9859 as well as black level offset from the CCD.

The PGA and black level auto-calibration are controlled through a simple 3-wire serial interface. The timing circuitry is designed to enable users to select a wide variety of available CCD and image sensors for their applications.

The XRD9859 has direct access to the ADC input for digitizing other analog signals. The XRD9859 is packaged in 28-lead surface mount SSOP to reduce space and weight, and is suitable for hand-held and portable applications.

ORDERING INFORMATION

Part No.	Package	Temperature Range	Operating Power Supply	Maximum Sampling Rate
XRD9859AIU	28-Lead SSOP	-40°C to 85°C	5.0V	20 MSPS
XRD98L59AIU	28-Lead SSOP	-40°C to 85°C	3.0V	20 MSPS

Rev. P1.00

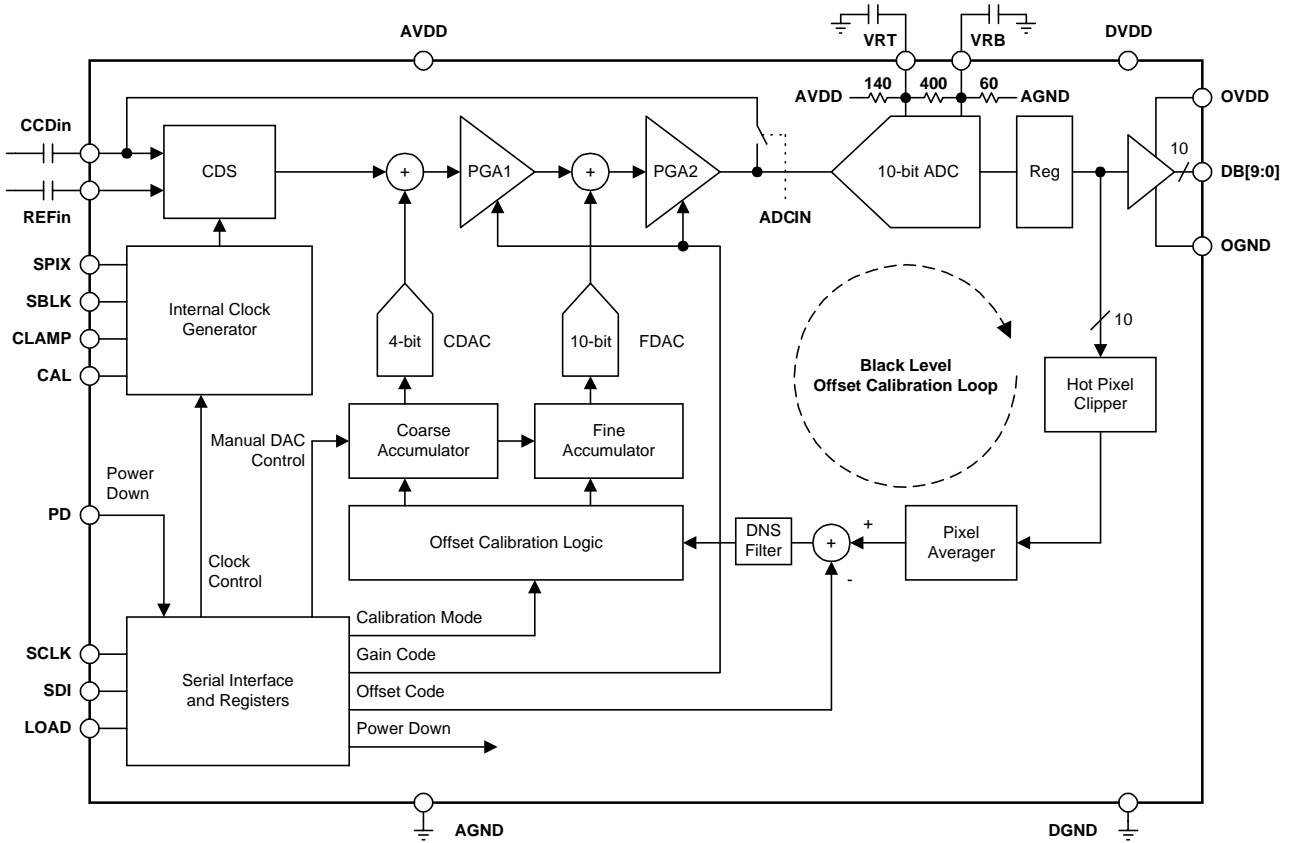
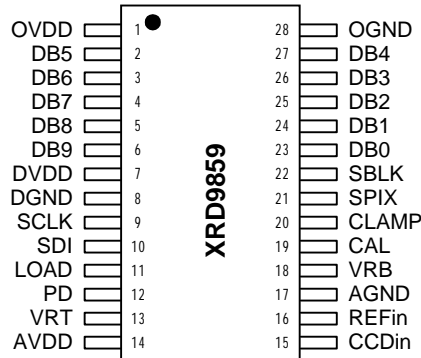


Figure 1. XRD9859 Block Diagram

PIN CONFIGURATION



28-Lead SSOP

PIN DESCRIPTION

Pin #	Symbol	Description
1	OV _{DD}	Digital Output Power Supply ($\leq AV_{DD}$)
2	DB5	ADC Output
3	DB6	ADC Output
4	DB7	ADC Output
5	DB8	ADC Output
6	DB9	ADC Output, MSB
7	DV _{DD}	Digital Power Supply (Must = AV _{DD})
8	DGND	Digital Ground. Connect to AGND
9	SCLK	Shift Clock. Latches SDI data on Serial Port
10	SDI	Serial Data Input. Serial Port
11	LOAD	Data Load. Serial Port
12	PD	Power Down, Active High
13	VRT	Top ADC Reference. Sets full scale of ADC
14	AV _{DD}	Analog V _{DD}
15	CCD _{IN}	CDS inverting input. Connect through capacitor to CCD signal
16	REF _{IN}	Reference input (CDS non inverting input). Connect through capacitor to CCD Ground
17	AGND	Analog Ground
18	VRB	Bottom ADC Reference. Sets zero for ADC.
19	CAL	Optical Black (OB) Clamp
20	CLAMP	CDS DC Restore Clamp
21	SPIX	Sample Video Pixel (CDS Clock)
22	SBLK	Sample Black Reference (CDS Clock)
23	DB0	ADC Output, LSB
24	DB1	ADC Output
25	DB2	ADC Output
26	DB3	ADC Output
27	DB4	ADC Output
28	OGND	Digital Output GND. Connect to AGND

DC ELECTRICAL CHARACTERISTICS - XRD9859

Unless otherwise specified: $OV_{DD} = DV_{DD} = AV_{DD} = 5.0V$, Pixel Rate = 20MSPS, $T_A = 25^\circ C$

Symbol	Parameter	Min.	Typ.	Max.	Unit	Conditions
CDS Performance						
$CDSV_{IN}$	Input Range			800	mV _{PP}	Pixel ($V_{BLK} - V_{VIDEO}$), (See Figure 2). At any gain. (See Figure 2).
V_{DARK}	Maximum Dark Voltage Offset		150		mV	
r_{ON}	Clamp On Resistance		120		Ω	
PGA Parameters						
AV_{MIN}	Minimum Gain	3.5	5	6.5	dB	Transfer function is linear steps in dB (1LSB = 0.125dB).
AV_{MAX}	Maximum Gain	35.5	37	38.5	dB	
PGA n	Resolution		8		bits	
ADC Parameters (Measured in ADCIN) SDI= 0100 0000 0101						
ADC n	Resolution	10			bits	Measured relative to V_{RB} . V_{IN} of the ADC can swing from GND to AV_{DD} . Input range is limited by the output swing of the PGA.
f_s	Max Sample Rate	20			MSPS	
DNL	Differential Non-Linearity	-1	± 0.75	1	LSB	
EZS	Zero Scale Error		± 25		mV	
EFS	Full Scale Error		1.5		% FS	
V_{IN}	DC Input Range	GND		AV_{DD}	V	
ΔV_{REF}	ADC Reference Voltage		3.3		V	
V_{RB}	Self Bias V_{RB} $\left(V_{RB} = \frac{AV_{DD}}{10} \right)$	0.4	0.5	0.6	V	
V_{RT}	Self Bias V_{RT} $\left(V_{RB} = \frac{AV_{DD}}{1.30} \right)$	3.5	3.8	4.1	V	

DC ELECTRICAL CHARACTERISTICS - XRD9859 (CONT'D)

Unless otherwise specified: $OV_{DD} = DV_{DD} = AV_{DD} = 5.0V$, Pixel Rate = 20MSPS, $T_A = 25^\circ C$

Symbol	Parameter	Min.	Typ.	Max.	Unit	Conditions
System Specifications						
DNL_S	System DNL	-1	± 0.75	1.5	LSB	No missing codes, monotonic
INL_S	System INL @ Minimum Gain		2		LSB	INL error is dominated by CDS/PGA linearity.
e_n_{MAXAV}	Input Referred Noise @		0.2		mV_{rms}	Gain = 38dB
e_n_{MINAV}	Input Referred Noise @		1.1		mV_{rms}	Gain = 6dB
Latency	Pipeline Delay			4	cycles	
Digital Inputs (Digital Input Thresholds are Set by DV_{DD})						
V_{IH}	Digital Input High Voltage	2.0			V	$V_{IN} = GND$ or V_{DD} .
V_{IL}	Digital Input Low Voltage			0.7	V	
I_L	DC Leakage Current		5		μA	
C_{IN}	Input Capacitance		5		pF	
Digital Outputs						
V_{OH}	Digital Output High Voltage	$OV_{DD}-0.5$			V	While sourcing 2mA.
V_{OL}	Digital Output Low Voltage			0.5	V	While sinking 2mA.
I_{OZ}	High-Z Leakage	-10		10	μA	OE=0 or PD=1. Output = OGND or OV_{DD} .

DC ELECTRICAL CHARACTERISTICS - XRD9859 (CONT'D)

Unless otherwise specified: $OV_{DD} = DV_{DD} = AV_{DD} = 5.0V$, Pixel Rate = 20MSPS, $T_A = 25^\circ C$

Symbol	Parameter	Min.	Typ.	Max.	Unit	Conditions
Digital I/O Timing						
t_{DL}	Data Valid Delay		20	25	ns	
t_{PW1}	Pulse Width of SPIX	10			ns	
t_{PW2}	Pulse Width of SBLK	10			ns	
t_{PIX}	Pixel Period	50			ns	
t_{BK}	Sample Black (SBLK), Aperture Delay		6		ns	
t_{VD}	Sample Video (SPIX), Aperture Delay		5		ns	
t_{SCLK}	Shift Clock Period		100		ns	
t_{SET}	Shift Register Setup Time	10			ns	
t_{HOLD}	Shift Register Hold Time			0	ns	
t_{L1}	Load Set-up Time	10			ns	
t_{L2}	Load Hold Time			0	ns	
Power Supplies						
AV_{DD}	Analog Supply Voltage	4.5	5.0	5.5	V	
DV_{DD}	Digital Supply Voltage	4.5	5.0	5.5	V	Set $DV_{DD} = AV_{DD}$
OV_{DD}	Digital Output Supply Voltage	2.7	5.0	5.5	V	$OV_{DD} \leq AV_{DD}$
I_{DD}	Supply Current		50	75	mA	$OV_{DD} = AV_{DD} = DV_{DD} = 5.0V$, Includes Reference current.
I_{DDPD}	Power Down Supply Current		10	100	μA	PD = 1

DC ELECTRICAL CHARACTERISTICS – XRD98L59

 Unless otherwise specified: $OV_{DD} = DV_{DD} = AV_{DD} = 3.0V$, Pixel Rate = 20MSPS, $T_A = 25^\circ C$

Symbol	Parameter	Min.	Typ.	Max.	Unit	Conditions
CDS Performance						
$CDSV_{IN}$	Input Range			800	mV _{PP}	Pixel ($V_{BLK} - V_{VIDEO}$), (See Figure 2).
V_{DARK}	Maximum Dark Voltage Offset		150		mV	At any gain. (See Figure 2).
r_{ON}	Clamp On Resistance		120		Ω	
PGA Parameters						
AV_{MIN}	Minimum Gain	3.5	5	6.5	dB	Transfer function is linear steps in dB (1LSB = 0.125dB).
AV_{MAX}	Maximum Gain	36.5	37	38.5	dB	
PGA n	Resolution		8		bits	
ADC Parameters (Measured in ADCIN Test Mode), SDI = 0100 0000 0101						
ADC n	Resolution	10			bits	Measured relative to V_{RB} . AV_{IN} of the ADC can swing from AGND to AV_{DD} . Input range is limited by the output swing of the PGA.
f_s	Max Sample Rate	20			MSPS	
DNL	Differential Non-Linearity	-1	± 0.75	1	LSB	
EZS	Zero Scale Error		± 25		mV	
EFS	Full Scale Error		1.5		% FS	
V_{IN}	DC Input Range	GND		AV_{DD}	V	
ΔV_{REF}	ADC Reference Voltage		2		V	
V_{RB}	Self Bias V_{RB} $\left(V_{RB} = \frac{AV_{DD}}{10} \right)$	0.2	0.3	0.4	V	
V_{RT}	Self Bias V_{RT} $\left(V_{RB} = \frac{AV_{DD}}{1.30} \right)$	2.0	2.3	2.6	V	

DC ELECTRICAL CHARACTERISTICS - XRD98L59 (CONT'D)

Unless otherwise specified: $OV_{DD} = DV_{DD} = AV_{DD} = 3.0V$, Pixel Rate = 20MSPS, $T_A = 25^\circ C$

Symbol	Parameter	Min.	Typ.	Max.	Unit	Conditions
System Specifications						
DNL_S	System DNL	-1	± 0.75	1.5	LSB	No missing codes, monotonic
$INL_{S\text{MIN}}$	System INL @ Minimum Gain		2		LSB	INL error is dominated by CDS/PGA linearity.
$INL_{S\text{MAX}}$	System INL @ Maximum Gain		2		LSB	INL error is dominated by CDS/PGA linearity.
$e_n \text{ MAXAV}$	Input Referred Noise @		0.2		mV_{rms}	Gain = 38db
$e_n \text{ MINAV}$	Input Referred Noise @		0.7		mV_{rms}	Gain = 6db
Latency	Pipeline Delay			4	cycles	
Digital Inputs (Digital Input Thresholds are Set by DV_{DD})						
V_{IH}	Digital Input High Voltage	1.5			V	$V_{IN} = \text{GND or } V_{DD}$.
V_{IL}	Digital Input Low Voltage			0.7	V	
I_L	DC Leakage Current		5		μA	
C_{IN}	Input Capacitance		5		pF	
Digital Outputs						
V_{OH}	Digital Output High Voltage	$OV_{DD}05$			V	While sourcing 2mA.
V_{OL}	Digital Output Low Voltage			0.5	V	While sinking 2mA.
I_{OZ}	High-Z Leakage	-10		10	μA	OE = 0 or PD = 1. Output = OGND or ODV_{DD} .

DC ELECTRICAL CHARACTERISTICS - XRD98L59 (CONT'D)

Unless otherwise specified: $OV_{DD} = DV_{DD} = AV_{DD} = 3.0V$, Pixel Rate = 20MSPS, $T_A = 25^\circ C$

Symbol	Parameter	Min.	Typ.	Max.	Unit	Conditions
Digital I/O Timing						
t_{DL}	Data Valid Delay		28	35	ns	
t_{PW1}	Pulse Width of SPIX	10			ns	
t_{PW2}	Pulse Width of SBLK	10			ns	
t_{PIX}	Pixel Period	50			ns	
t_{BK}	Sample Black (SBLK), Aperture Delay		7		ns	
t_{VD}	Sample Video (SPIX), Aperture Delay		6		ns	
t_{SCLK}	Shift Clock Period		100		ns	
t_{SET}	Shift Register Setup Time	10			ns	
t_{HOLD}	Shift Register Hold Time			0	ns	
t_{L1}	Load Set-up Time	10			ns	
t_{L2}	Load Hold Time			0	ns	
Power Supplies						
AV_{DD}	Analog Supply Voltage	2.7	3.0	3.3	V	
DV_{DD}	Digital Supply Voltage	2.7	3.0	3.3	V	Set $DV_{DD} = AV_{DD}$
OV_{DD}	Digital Output Supply Voltage	2.7	3.0	3.3	V	$OV_{DD} \leq AV_{DD}$
I_{DD}	Supply Current		40	55	mA	$OV_{DD} = AV_{DD} = DV_{DD} = 3.0V$, Includes Reference Current.
I_{DDPD}	Power Down Supply Current		10	100	μA	PD = 1

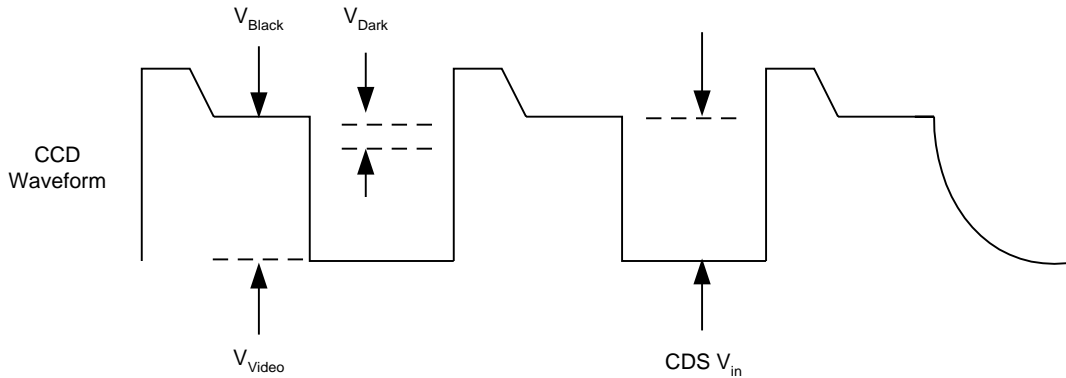


Figure 2. Definition of terms for V_{Out} of the CCD waveform:

$$CDSV_{IN} = (V_{Black} - V_{Video})$$

ABSOLUTE MAXIMUM RATINGS ($T_A = +25^\circ\text{C}$ unless otherwise noted)^{1, 2, 3}

V_{DD} to GND.	+7.0V	Lead Temperature (Soldering 10 seconds).	300°C
V_{RT} & V_{RB}	$V_{DD} + 0.5$ to GND -0.5V	Maximum Junction Temperature	150°C
V_{IN}	$V_{DD} + 0.5$ to GND -0.5V	Package Power Dissipation Ratings ($T_A = +70^\circ\text{C}$)	
All Inputs.	$V_{DD} + 0.5$ to GND -0.5V	SSOP.	$\theta_{JA} = 105^\circ\text{C/W}$
All Outputs.	$V_{DD} + 0.5$ to GND -0.5V	ESD	2000V
Storage Temperature.	-65°C to 150°C		

Notes:

- ¹ Stresses above those listed as "Absolute Maximum Ratings" may cause permanent damage to the device. This is a stress rating only and functional operation at or above this specification is not implied. Exposure to maximum rating conditions for extended periods may affect device reliability.
- ² Any input pin which can see a value outside the absolute maximum ratings should be protected by Schottky diode clamps from input pin to the supplies. All inputs have protection diodes which will protect the device from short transients outside the supplies of less than 100mA for less than 100µs.
- ³ V_{DD} refers to AV_{DD} , OV_{DD} and DV_{DD} . GND refers to AGND, OGND and DGND.

Serial Interface

The XRD9859 uses a three wire serial interface (LOAD, SDI & SCLK) to access the programmable features and controls of the chip. The serial interface uses a 12-bit shift register. The first 4 bits shifted in are the address bits, the next 8 bits are the data bits. The address bits select which of the internal registers will receive the 8 data bits. There is no checking or read back of the address bits to ensure a valid register is written to. If the address bits select an undefined register, the data will be discarded.

Serial Port Procedures

- 1) Set LOAD pin low to enable shift register.
- 2) Shift in 4 address bits (msb first), followed by 8 data bits (msb first).
- 3) Set LOAD pin high to transfer data from the shift register to the serial interface register array.

For optimum image quality, do not run the serial port during active video. Serial port clocking can couple into the signal path and degrade accuracy. Also, do not continuously run SCLK.

Resetting the XRD9859 is recommended after initial power-up. It is generally good practice to reset the XRD9859 because the serial data may be forced to an unknown state during power supply cycling by the digital ASIC.

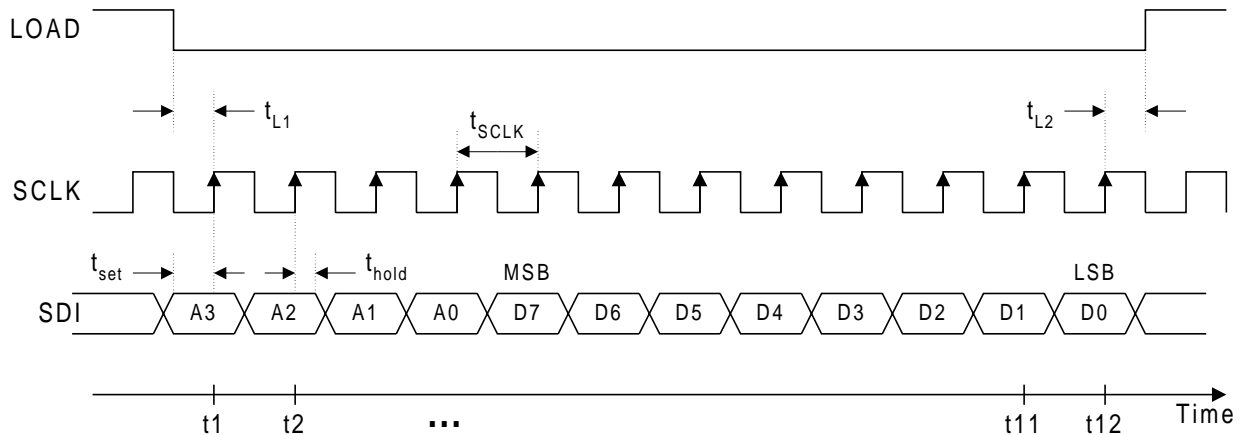


Figure 3. Serial Interface Timing Diagram

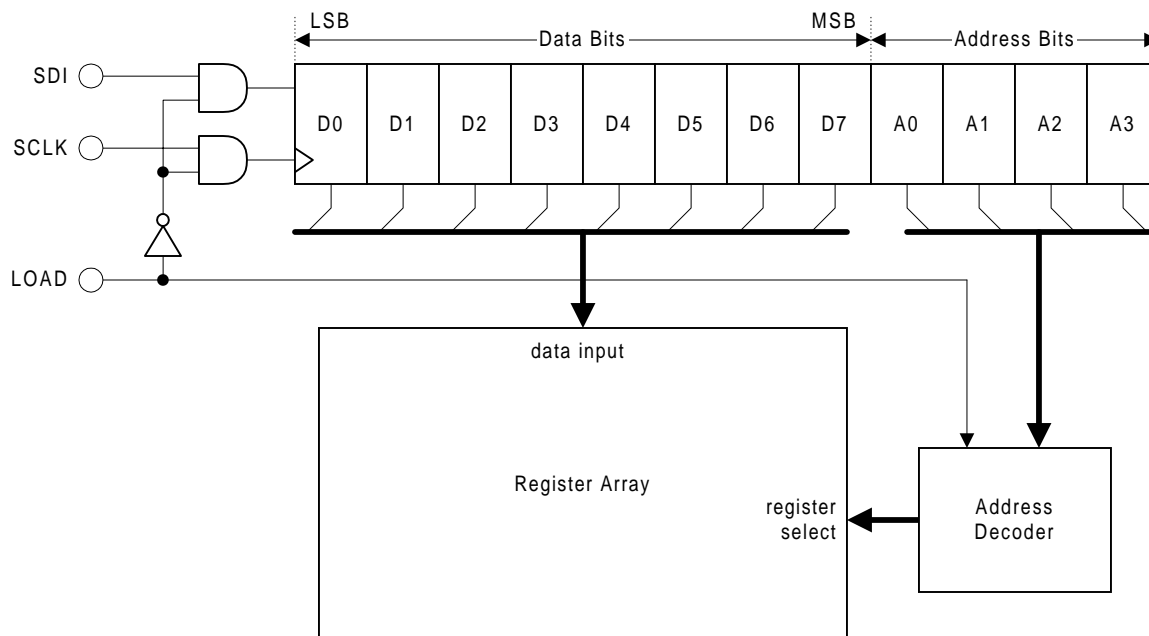


Figure 4. Serial Interface Timing Diagram

Reg. Name	Address bits				Data bits							
	A3	A2	A1	A0	D7	D6	D5	D4	D3	D2	D1	D0
Gain	0	0	0	0	Gain [7:0]							
Target Offset	0	0	0	1	Offset [5:0]							
Delay	0	0	1	0	SBLK delay [2:0]			SPIX delay[2:0]			SPIXopt Delay[1:0]	
Clock	0	0	1	1	RST rej	SPIX opt	Clamp opt	SBLK pol	SPIXpol	Clamp pol	CAL pol	
Control	0	1	0	0				Delay test	ADCIN	PD	OE	
Calibration	0	1	0	1				Cal Hold	Speed Up	DNS 1	DNS 0	Man DAC
FDAC (msb)	0	1	1	0	FDAC [9:2]							
FDAC (lsb)	0	1	1	1							FDAC [1:0]	
CDAC	1	0	0	0							CDAC [3:0]	
•	Not Used											
•	Not Used											
•	Not Used											
Reset	1	1	1	1								Reset

Table 1. Serial Interface Register Address Map

D7	D6	D5	D4	D3	D2	D1	D0	
Gain[7:0]								
0	0	0	0	0	0	0	0	minimum gain (6 dB) *
1	1	1	1	1	1	1	1	maximum gain (38 dB)

Table 2. Gain Register bit assignment (Address 0000)

D7	D6	D5	D4	D3	D2	D1	D0	
not used	not used	Offset[5:0]						
		0	0	0	0	0	0	Do not use (00h)
		0	0	0	0	0	1	Do not use (01h)
		0	0	0	0	1	0	minimum offset (02h)
		1	0	0	0	0	0	default offset (20h) *
		1	1	1	1	1	1	maximum offset (3Fh)

Table 3. Target Offset Register bit assignment (Address 0001) for PGA

D7	D6	D5	D4	D3	D2	D1	D0
SBLK delay[2:0]			SPIX delay[2:0]			SPIX opt Delay[1:0]	
0	0	0	min delay *	0	0	0	min delay *
1	1	1	max delay	1	1	1	max delay

Table 4. Delay Register bit assignment (Address 0010)

D7	D6	D5	D4	D3	D2	D1	D0
not used	RST rej	SPIX opt	CLAMP opt	SBLK pol	SPIX pol	CLAMP pol	CAL pol
	0 switch ON	0 SPIX pulse *	0 Cal only	0 active low *	0 active low *	0 active low *	0 active low *
	1 clocked *	1 SBLK edge	1 Clamp+Cal *	1 active high	1 active high	1 active high	1 active high

Table 5. Clock Register bit assignment (Address 0011) for SPIX or SBLACK

D7	D6	D5	D4	D3	D2	D1	D0
not used	not used	not used	not used	Delay test	ADCIN	PD	OE
				0 test off *	0 test off *	0 convert *	0 outputs off
				1 test on	1 test on	1 power down	1 outputs on *

Table 6. Control Register bit assignment (Address 0100)

D7	D6	D5	D4	D3	D2	D1	D0
not used	not used	not used	Cal Hold	Speed Up	DNS1	DNS0	Man DAC
			0 cal active	0 SpeedUp off	0 DNS off	0 = Wide	0 automatic
			1 hold value	1 SpeedUp on	1 DNS on	1 = Narrow	1 manual

Table 7. Calibration Register bit assignment (Address 0101)

Note: * Shading indicates default values after power up or reset. The XRD9859 does not reset the registers to default value after PD.

D7	D6	D5	D4	D3	D2	D1	D0	
FDAC[9:2]								
1	1	1	1	1	1	1	1	max pos offset
1	0	0	0	0	0	0	0	zero offset
0	0	0	0	0	0	0	0	max neg offset *

Table 8. FDAC (msb) Register bit assignment (Address 0110)

D7	D6	D5	D4	D3	D2	D1	D0	
not used	not used	not used	not used	not used	not used	FDAC[1:0]		
						1	1	max pos offset
						0	0	max neg offset *

Table 9. FDAC (lsb) Register bit assignment (Address 0111)

D7	D6	D5	D4	D3	D2	D1	D0	
not used	not used	not used	not used	CDAC[3:0]				
				1	1	1	1	max pos offset +50 mV
				1	0	1	1	zero offset
				0	0	0	0	max neg offset * -137.5 mV

Table 10. CDAC Register bit assignment (Address 1000)

D7	D6	D5	D4	D3	D2	D1	D0
not used	not used	not used	not used	not used	not used	not used	Reset
							0 normal *
							1 reset chip

Table 11. Reset Register bit assignment (Address 1111)

Note: * Shading indicates default values after power up or reset. The XRD9859 does not reset the registers to default value after PD.

Correlated Double Sample/Hold (CDS)

The function of the CDS block is to sense the voltage difference between the black level and video level for each pixel. The PGA then amplifies this difference to the desired level for the ADC. The CDS and PGA are fully differential. The PGA output is converted to a single ended signal and fed to the ADC. The CCDin pin (CDS inverting input) should be connected, via a capacitor, to the CCD output signal. The REFin pin (CDS non-inverting input) should be connected, via a capacitor, to the CCD “Common” voltage. This is typically the CCD Reference output or ground.

At the beginning (or end) of every video line, the DC restore switch forces one side of the external capacitors to an internal Vbias1 level (approximately 0.8V). The DC restore switch is controlled by the combination of the CLAMP signal ANDed with the $\phi 2$ clock. (See Figure 5).

During the black reference phase of each CCD pixel the $\phi 1$ (Sample Black Reference) switches are turned on, shorting the PGA1 inputs to a second bias level. The Coarse Offset DAC adds an adjustment to the Vbias2 level to cancel offset in the CCD signal. When the $\phi 1$ switches turn off, the Pixel black reference (V_{BLACK}) is sampled on the internal reference sample capacitors, and the PGA is ready to gain up the CCD video signal.

During the video phase of each CCD pixel the difference between the pixel black reference level and video level is transmitted through the internal reference sample capacitors and converted to a fully differential signal by the PGA1 amplifier. At this time the $\phi 2$ (Sample Pixel value) switches turn on, and the internal video sample capacitors track the amplified difference.

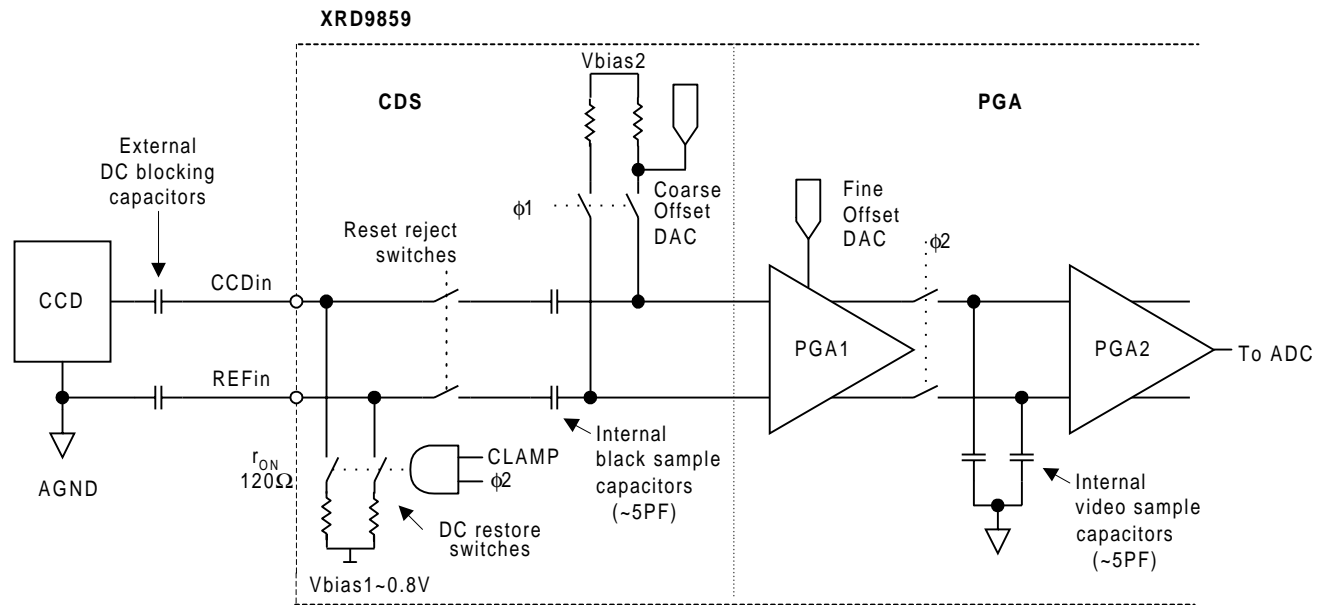


Figure 5. Block Diagram of CDS and PGAs

Pixel Timing SBLK & SPIX

The timing required by the XRD9859 to sample individual pixel data from a CCD output is shown below in Figure 6. The diagram shows the general relationship of timing signals SBLK and SPIX to the CCD wave-

form. The XRD9859 was designed to sample any analog CCD waveform. In order to do this the timing signals need to be referenced to the waveform itself, not to the CCD's timing generator.

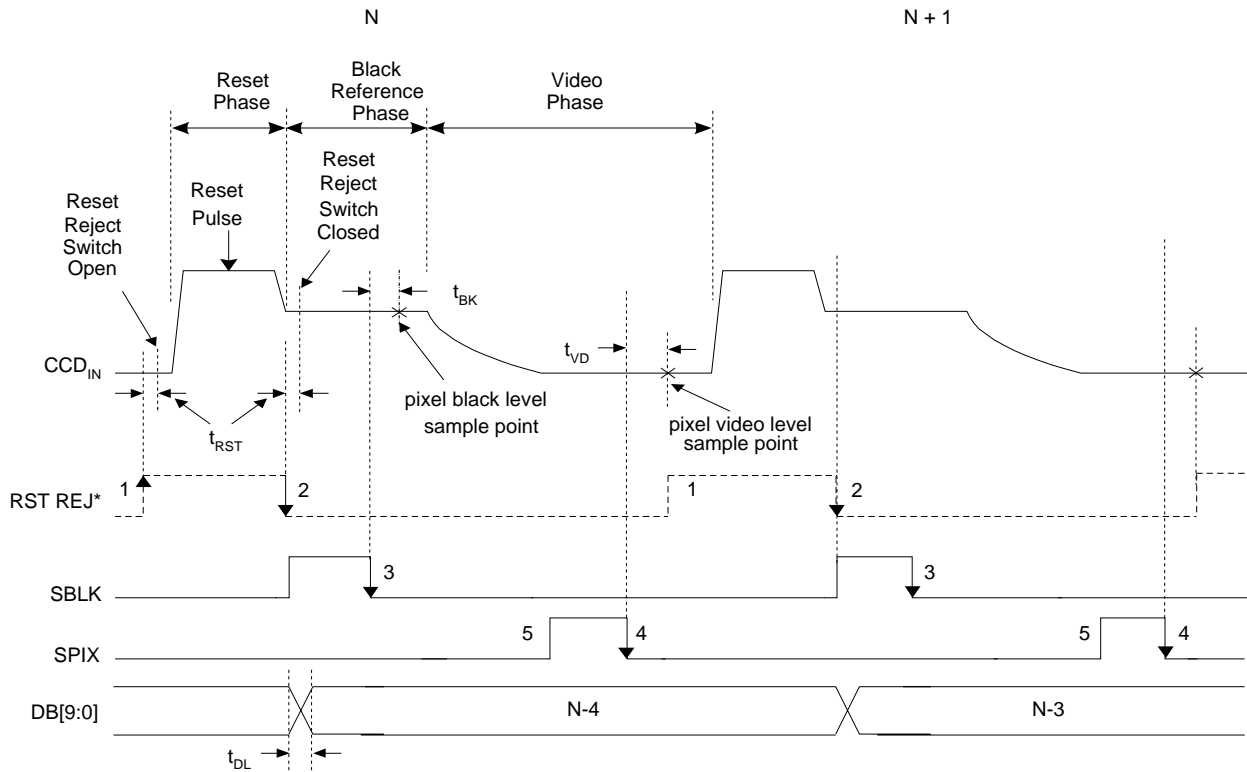


Figure 6. CDS Timing Diagram - Proper Placement of Timing is Critical to Image Quality, SDI=0011 0100 1100
**RST REJ is an internally generated signal.*

Event	Action
1 \uparrow RSTREJ	Disconnects CDS Inputs from Reset Noise
2 \downarrow RSTREJ	Connects CDS Inputs
3 SBLK High	Sample Black Level
4 SPIX High	Sample Video Level
5 SBLK/SPIX Low	Hold Video and Black Level

Table 12. Event Table for CDS Timing (SDI=0011 0100 1100)

RSTREJ reduces CCD reset noise by disconnecting the input of the XRD9859 from the CCD during the CCD reset pulse. RSTREJ is an internally generated signal. RSTREJ disconnects the input after the SPIX and before the SBLK sampling events to reject CCD reset noise. The RSTREJ switch is always closed (the input is always connected) if D6=0 in the clock generator (for address 0011) of the serial port.

For the timing example shown in Figure 6, SBLK high samples the pixel black level. The actual hold point of the pixel black level occurs after a delay of t_{BK} . t_{BK} is the aperture delay of the SBLK timing signal.

The polarities of the SBLK and SPIX signals are independently programmable via the serial port.

For the timing example shown in Figure 3, SPIX high samples the pixel video level. The actual hold

point of the pixel video level occurs after a delay of t_{VD} . t_{VD} is the aperture delay of the SPIX timing signal. The polarity of the SPIX signal is serial port programmable.

The function of the CDS block, shown in Figure 7, is to sense the voltage difference between the black level and video level for each pixel. The CDS and PGA are fully differential to reject common mode noise. The PGA output is converted to a single ended signal, and then fed to the ADC.

REF_{IN} (CDS non-inverting input) should be connected, via a capacitor, to the CCD "Common" voltage. This is typically CCD ground. CCD_{IN} (CDS inverting input) should be connected, via a capacitor, to the CCD output signal. The external coupling capacitors on CCD_{IN} and REF_{IN} should be of equal values to minimize gain errors (typically $0.01\mu f \pm 10\%$).

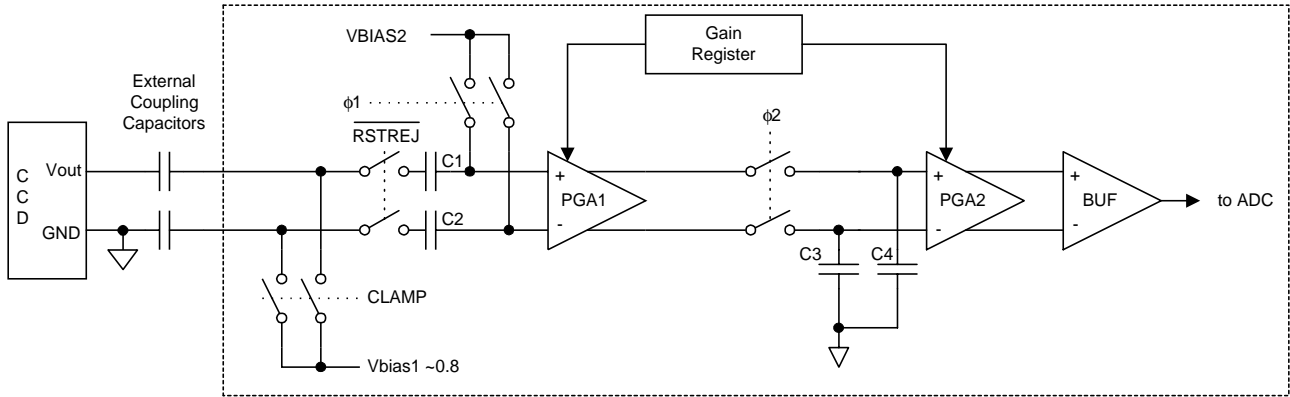


Figure 7. Block Diagram of the CDS, Reset Phase: RSTREJ Switch is Open

During the reset phase of each pixel the RSTREJ switches are turned off, see Figure 7, opening the XRD9859 CDS input. This is done to limit reset pulse transients seen by the front end of the XRD9859.

During the black reference phase of each pixel the RSTREJ switches are closed, allowing the difference between the black reference level voltage and VBIAS2 to develop across capacitors C1 and C2 (see Figure 8). $\phi 1$ is closed when SBLK is active.

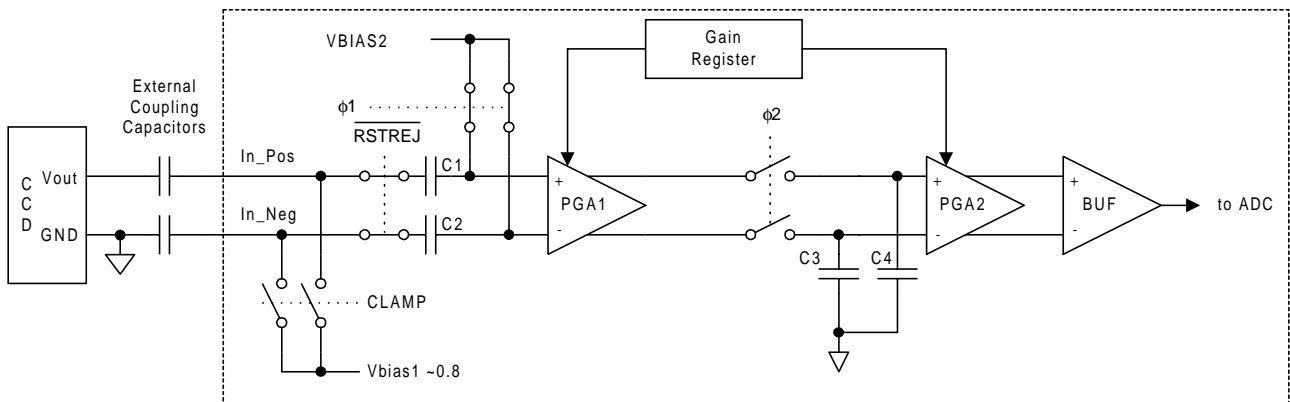


Figure 8. CDS - Black Reference Phase: RSTREJ and $\phi 1$ Switch Closed

During the video phase of each pixel the $\phi 2$ switches are closed when SPIX is active. The difference between the pixel black reference level and video level is transmitted through capacitors C1 & C2. Differential

amplifier PGA1 amplifies both CDS inputs from CCD_{IN} and REF_{IN} . The inactive phase of SPIX turns off the $\phi 2$ switches, storing the differential pixel value on capacitors C3 & C4 (see Figure 9).

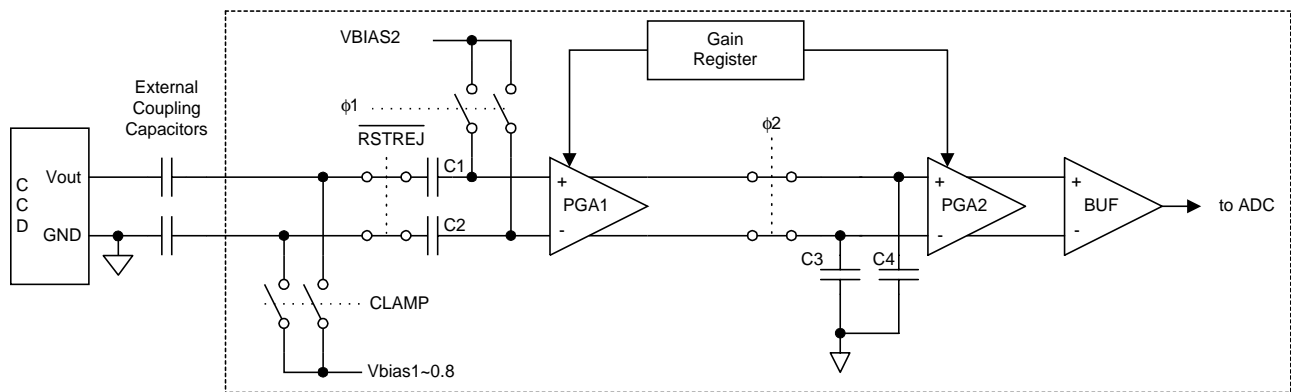


Figure 9. CDS - Video Phase: $\phi 1$ Switches Open, $\phi 2$ and RSTREJ Switches Closed

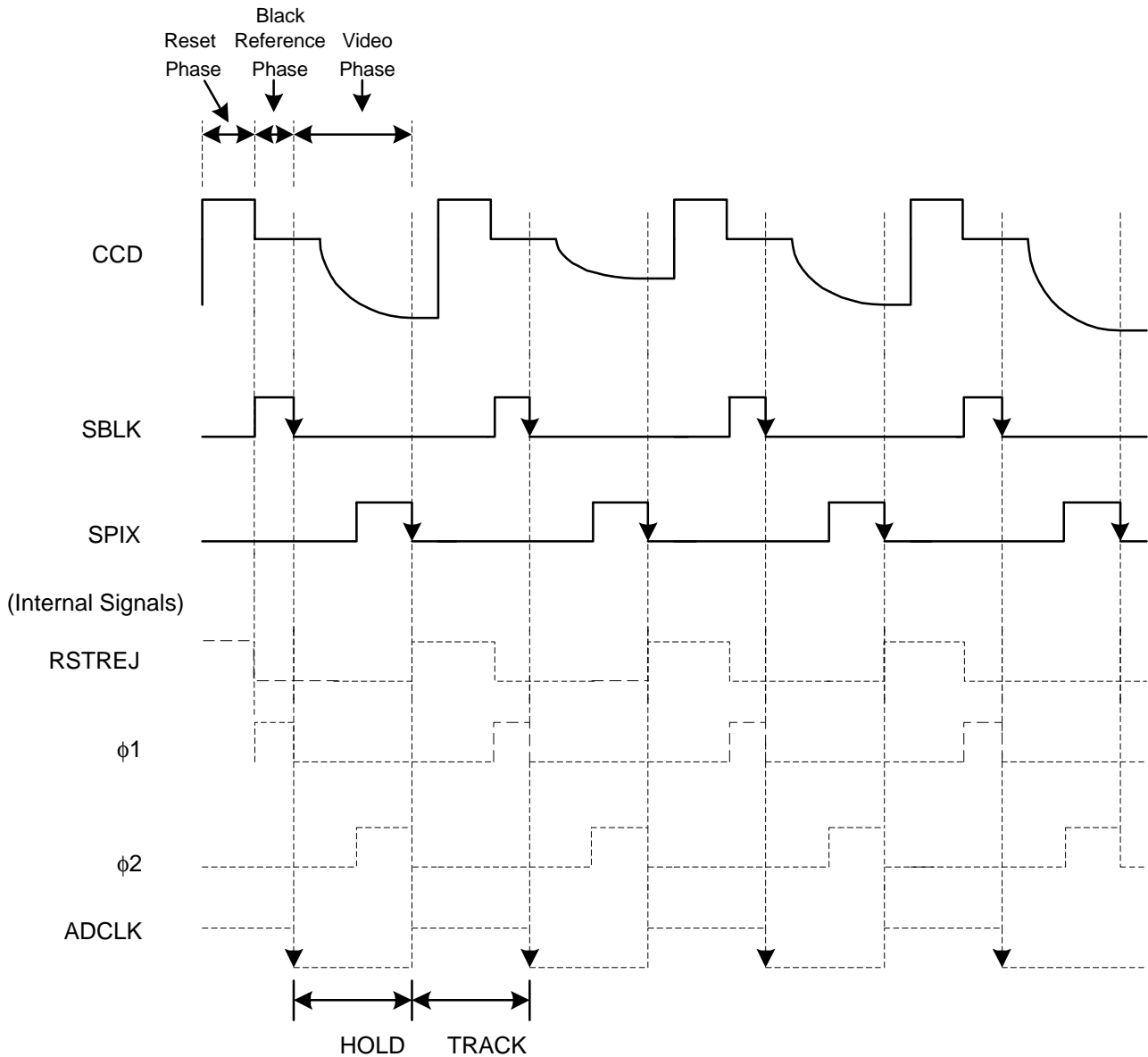


Figure 10. Timing Diagram of the CDS Clocks and Internal Signals (RSTREJ, $\phi 1$, $\phi 2$, ADCLK)
SDI = 0011 0100 1100

Note: Aperture Delay is not Shown

SBLK and SPIX Programmable Aperture Delay (SDI Address = 0010)

The positioning of $\phi 1$ and $\phi 2$ from Figure 10, are optimized by using a programmable aperture delay function. $\phi 1$ and $\phi 2$ are delayed internally by the amount specified in the serial port. SBLK delay (D7:D5) delays the $\phi 1$ clock and SPIX delay (D4:D2)

delays the $\phi 2$ clock. The delay is 2ns per 1sb. The aperture delays t_{BK} and t_{VD} are added to the programmable aperture delay to determine final positioning. The tables below include the t_{BK} and t_{VD} aperture delays.

D7	D6	D5	$\phi 1$ Aperture Delay
0	0	0	6ns (default)
0	0	1	8ns
0	1	0	10ns
0	1	1	12ns
1	0	0	14ns
1	0	1	16ns
1	1	0	18ns
1	1	1	20ns

Table 13. Programmable $\phi 1$ Delays

D4	D3	D2	$\phi 2$ Aperture Delay
0	0	0	5ns (default)
0	0	1	7ns
0	1	0	9ns
0	1	1	11ns
1	0	0	13ns
1	0	1	15ns
1	1	0	17ns
1	1	1	19ns

Table 14. Programmable $\phi 2$ Delays

Line Timing: Clamp and Cal

Clamp & Cal Line Timing
(SDI address = 0011, D4 = 1)

The timing needed for Line Calibration Mode is shown in Figure 11. The timing signal Cal gates the XRD9859's auto-calibration logic. Cal is active during the end of line OB pixels.

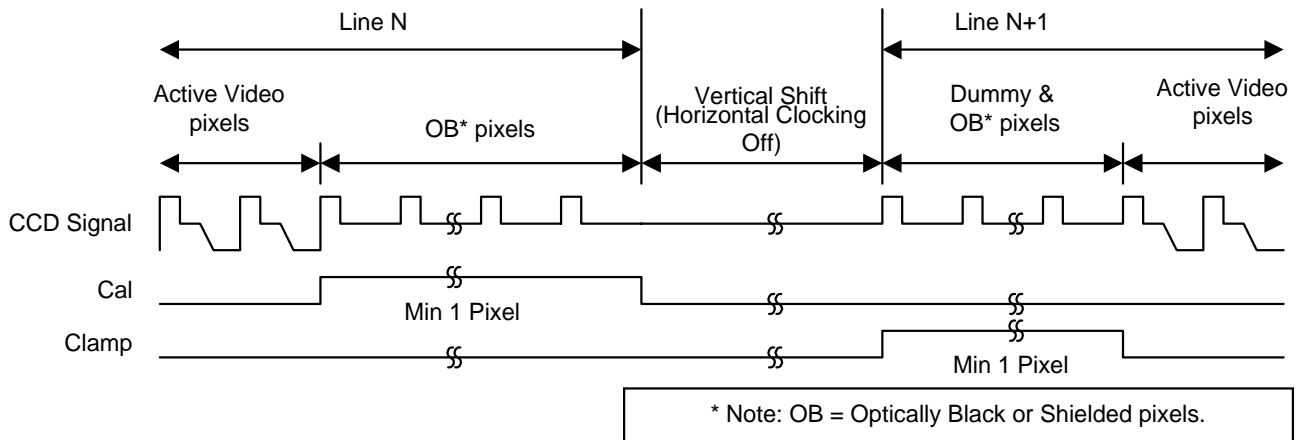


Figure 11. Example of Line Calibration Mode Timing, Cal and Clamp Polarity are Serial Port Programmable

Most timing generators (TG's) have signals that define the start of line and end of line OB pixels on the CCD array. Cal should always be active on start or the end of line that defines the greatest number of OB pixels possible. The more OB pixels that the XRD9859 can

use for its auto-calibration, the faster it can achieve and maintain calibration. Cal and CLAMP must never be active at the same time. Clamp is used to set the input DC bias voltage. (See Figure 5).

LINE CALIBRATION MODE

Line calibration mode calibrates during the OB pixel output from the CCD at the end of every line. Figure 12, shows the outline of a typical CCD area array. The active (white) pixels are shown with the OB (shaded) pixels around the edges. The OB pixels used in line calibration are identified below in Figure 12 as the dark shaded OB pixels on the right hand side of the array.

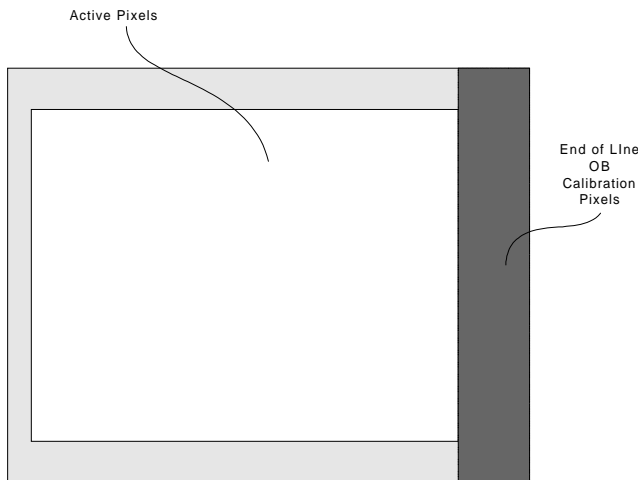


Figure 12. End of Line OB Pixels Used for Line Calibration Mode on a Typical CCD Array

Programmable Gain Amplifier (PGA)

PGA1 provides gains of 0dB, 8dB & 16dB (1x, 2.5x, and 6.25x). The gain transitions occur at PGA gain codes 64d and 128d (40h & 80h). PGA2 provides gain from 6dB to 22dB (2x to 12.5x) with 0.125dB steps. The combined PGA blocks provide a programmable gain range of 32dB. The minimum gain (code 00h) is 6dB. The maximum gain (code FFh) is 38dB. The following equation can be used to compute PGA gain from the gain code:

$$Gain[dB] = 6 + \left(\frac{Code}{256} \times 32 \right)$$

where *Code* is the 8 bit value (0 to 255) programmed in the serial interface Gain register. Due to device mismatch the gain steps at codes 63 - 64 and 127 - 128 may not be monotonic.

Analog to Digital Converter (ADC)

The analog-to-digital converter is based upon a two-step sub-ranging flash converter architecture with a built in track and hold input stage. The ADC conversion is controlled by an internally generated signal, ADCLK (see Figure 10). The ADC tracks the output of the PGA while ADCLK is high and holds when ADCLK is low. This allows maximum time for the PGA output to settle to its final value before being sampled. The conversion is then performed and the parallel output is updated, after a 2.5 cycle pipeline delay, on the leading edge of SBLK. The pipeline delay of the entire XRD9859 is 4 clock cycles.

The ADC reference levels, VRT & VRB, are set by an internal resistor divider between VDD and GND. The divider provides VRB=VDD/10 and VRT=VDD/1.3. To maximize the performance of the XRD9859, VRT & VRB should have high frequency by-pass capacitors to AGND. The value of these by-pass capacitors will affect the time required for the reference to charge up and settle after power down mode. Using 0.01uF capacitors will give about 40 μs settling time for full accuracy.

The ADC output bus is equipped with a high impedance capability which is controlled by OE bit in the serial interface control register. The outputs are enabled when the OE bit is high, and go into high impedance mode when the OE bit is low.

The ADC input node can be accessed for test purposes using the ADCIN mode (SDI address 0100). Use the following procedure to enable the ADCIN mode:

- 1) In the Serial interface Clock register, set the ClampOpt bit low (D4).
- 2) In the Serial interface Control register, set the ADCIN bit high (D2).
- 3) CAL must be held in the inactive state. Inactive state depends on the CALpol bit (D0). Since CALpol defaults to low, the default inactive state for the CAL signal is high.
- 4) CLAMP must be held in the active state. Active state depends on the CLAMPpol bit (D1). Since CLAMPpol defaults to low, the default active state for the CLAMP signal is low.
- 5) Clock SBLK & SPIX to generate internal ADC_CLK signal.
- 6) Apply ADC input signal to CCDin.

In this test mode the analog signal, V_{in} , applied to CCDin pin will be converted by the ADC. The ADC output code is related to V_{in} by the following rules:

- 1) For $V_{in} < V_{RB}$, ADC output code = 0,
- 2) For $V_{in} > V_{RT}$, ADC output code = 1023,
- 3) For $V_{RB} < V_{in} < V_{RT}$, ADC output code = $1024 \times (V_{in} - V_{RB}) / (V_{RT} - V_{RB})$

Control & Reset Registers

ADCIN bit

This bit activates a switch that connects CCDin directly to the ADC input. In this mode, the PGA output is disabled. See the ADC section for details.

PD bit (Power Down)

This bit is used to put the chip in the Power Down mode. It has the same effect as the PD pin. When the PD bit is high the chip will go into the power down mode, all conversions stop. When the PD bit is low the chip is in its normal active mode. In the Power Down mode the digital output pins are forced to the high impedance mode and the ADC reference is disconnected. The serial interface pins remain active in the Power Down mode.

OE bit (Output Enable)

The ADC digital output bus is equipped with a high impedance capability. When the OE bit is high the digital outputs are enabled (active). When the OE bit is low the digital outputs are in the high impedance mode (not active). The OE bit only controls the digital output drivers, all other circuits on the chip will remain active.

RESET bit

This bit is used to reset all internal registers to default values. This includes all the serial interface registers as well as the registers in the calibration logic. To reset the chip write a "1" to the reset bit. The reset bit will clear itself after an internal delay, so there is no need to write a "0" to the reset bit. The chip also has a Power-On-

Reset function (POR) so it will always power up with default values in all registers. It is recommended that the XRD9859 be reset after power is cycled to avoid loading potentially incorrect serial port data from other ASICs in the system.

Black Level Offset Calibration

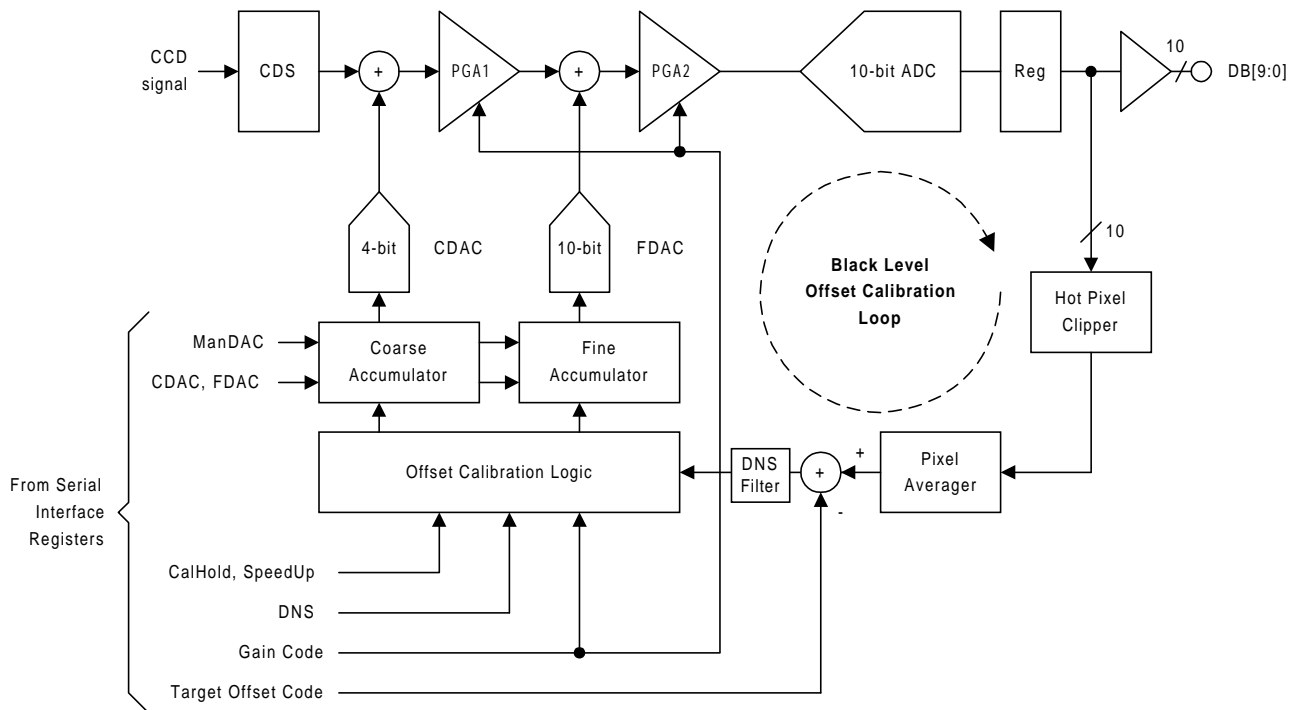


Figure 13. Black Level Offset Calibration Block Diagram

To get the maximum color resolution and dynamic range, the XRD9859 uses a digitally controlled feedback circuit to correct for offset in the CCD signal as well as offset in the CDS, PGA & ADC signal path. This calibration is done while the CCD outputs Optical Black

(OB) pixels. The CAL input signal is used to define when the CCD output contains OB pixels. The calibration logic will take into account the internal pipeline delay.

Hot Pixel Clipper

CCD's occasionally have hot pixels. These are defective pixels which always output a bright level. To ensure the Black Level is not significantly affected by hot pixels in the OB area, the Hot Pixel Clipper limits pixel data from the ADC to a maximum value of 127 (7Fh). The Hot Pixel Clipper is only active when Cal is active. This clipping only affects the data used by the internal calibration logic. Data on the digital output bus DB[9:0] is not clipped.

Pixel Averager

After the clipper, the logic takes the average of the Optical Black pixels defined by Cal. This averaging function filters noise.

Offset Difference Using the Target Offset Register

The Target Offset register (Address 0001) value (6 lsb's) is subtracted from the OB pixel average. If the difference is positive, the offset DACs are decremented to reduce the effective ADC output code. If the difference is negative, the offset DACs are adjusted to increase the effective ADC output code.

Set the Target Offset Register value equal to the desired black level output code. For example: Set Target Offset Register to code 32 and black CCD outputs are nominally output as 32. Default is code 32 decimal.

Coarse & Fine Accumulators

The Coarse and Fine Accumulators are the registers which hold the digital codes for the Coarse and Fine Offset DACs. The Offset DAC adjustments are made by adding or subtracting to the value in the Fine Accumulator. If there is an overflow or underflow in the Fine Accumulator, the Fine Accumulator is reset to its mid-scale value, and the Coarse Accumulator is incremented or decremented accordingly.

Calibration Options

Speed Up Mode

The purpose of this option is to reduce the amount of time required for initial convergence of the calibration feedback system. The feedback system is designed to have a slow response time to avoid introducing image artifacts. The slow response time is achieved by limiting the Fine accumulator changes to ± 1 count at a time. The Speed Up option maintains this slow response while the difference between the averaged ADC data and the Offset Code is small. But when the difference is larger than ± 32 lsb's the Fine accumulator takes large steps. The actual step size depends on the Gain code, and is set such that the step will cause no more than a 32 LSB change in the ADC output.

To activate the Speed Up mode write a 1 to the SpeedUp bit in the Calibration register (bit D3 of Serial Interface Register #5). By default the SpeedUp mode is active.

Digital Noise Supression (DNS Filter)

To activate the DNS mode, a "1" is written to DNS1 bit in the Calibration register (bit D2 of Serial Interface Register #5). By default the DNS mode is not active.

In DNS mode, the user has the option to select narrow band or wide band Noise Suppression Filters by setting DNS0 bit to a "1" (narrow) or "0" (wide) respectively. Best performance is achieved by setting DNS = "1" and DNS0 = "0".

Hold Mode

The purpose of this mode is to prevent any changes in the Fine or Coarse accumulators. The idea is to first run the calibration normally so the Fine and Coarse accumulators converge on the programmed Target Offset Code. Then, just before acquiring the final image data, activate the Hold mode. This will ensure the black level offset of the CDS/PGA does not change while the final image is being transferred out of the CCD. Once the image has been acquired from the CCD, turn off the Hold mode so the chip can continue to compensate for any changes in offset due to temperature drift or other effects.

To activate the Hold mode write a 1 to the Cal Hold bit in the Calibration register (bit D4 of Serial Interface Register #5). By default the Hold mode is not active.

Manual Mode

The purpose of this mode is to disable the automatic calibration feature. In the Manual mode, the Coarse accumulator is programmed by writing to the CDAC register, the Fine accumulator is programmed by writing to the FDAC register. The Fine accumulator is a 10 bit register, but the Serial interface registers are only 8 bits wide. As shown in the Serial Interface Register Address Map, two serial interface registers are concatenated to provide 10 bits to the Fine accumulator.

To activate the Manual mode write a 1 to the ManDAC bit in the Calibration register (bit D0 of Serial Interface Register #5). By default the Manual mode is not active.

Serial Port Configuration for Optimum Performance

Tables 15 and 16, show the configuration of the serial port for optimal performance. Don't cares are left blank in the table.

A3	A2	A1	A0	D7	D6	D5	D4	D3	D2	D1	D0
					RSTREJ	SPIX opt	Clamp opt				
0	0	1	1	0	0	0	1	*	*	*	*

Table 15. Recommended SDI Settings for Clock Register
** Note: D3...D0 are clock polarities*

A3	A2	A1	A0	D7	D6	D5	D4	D3	D2	D1	D0
							Cal Hold	Speed Up	DNS1	DNS0	MAN DACs
0	1	0	1	0	0	0	0	1	1	0	0

Table 16. Recommended SDI Settings for Calibration Register

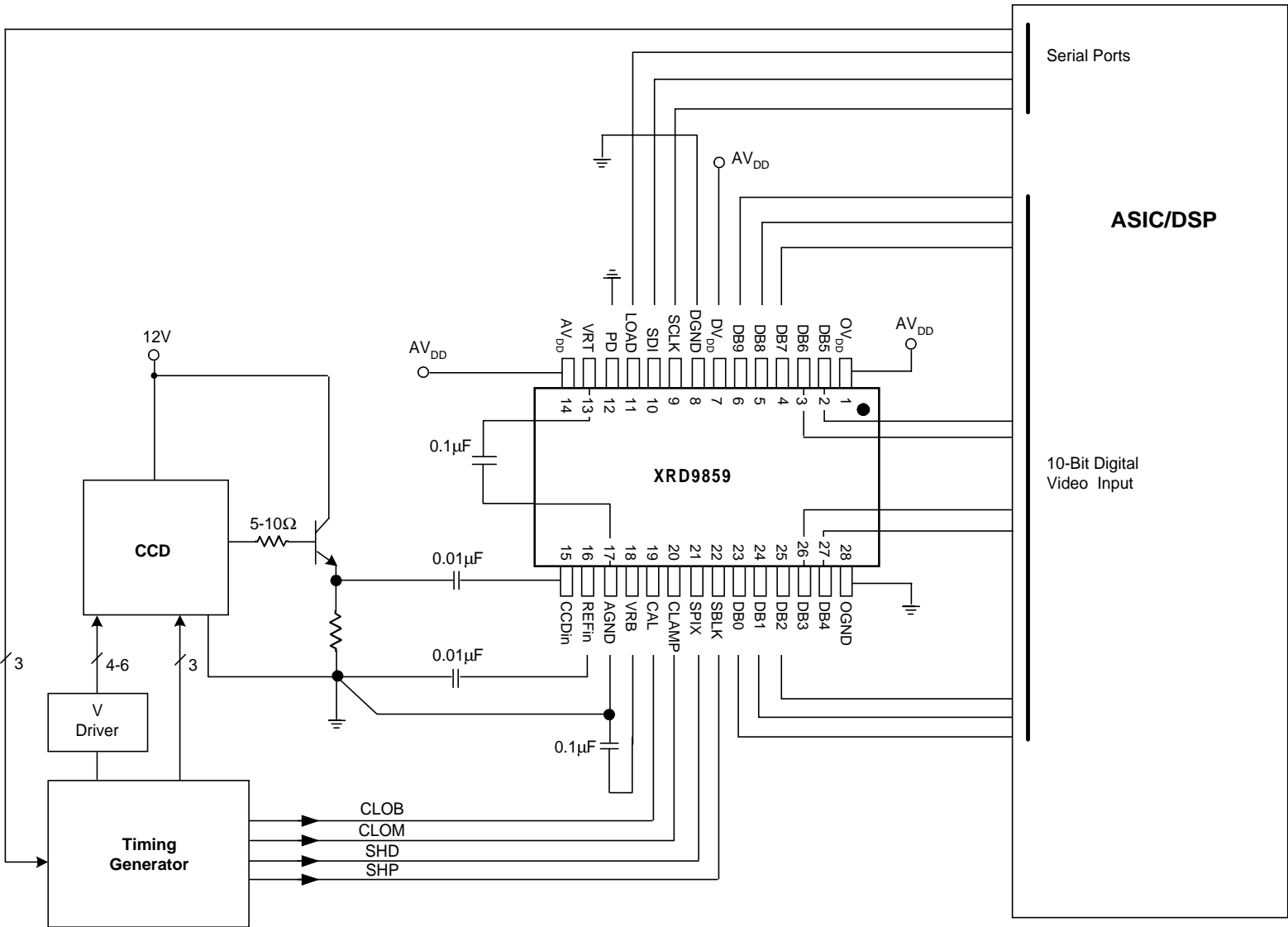


Figure 14. Application Diagram; ASIC with External Timing Generator

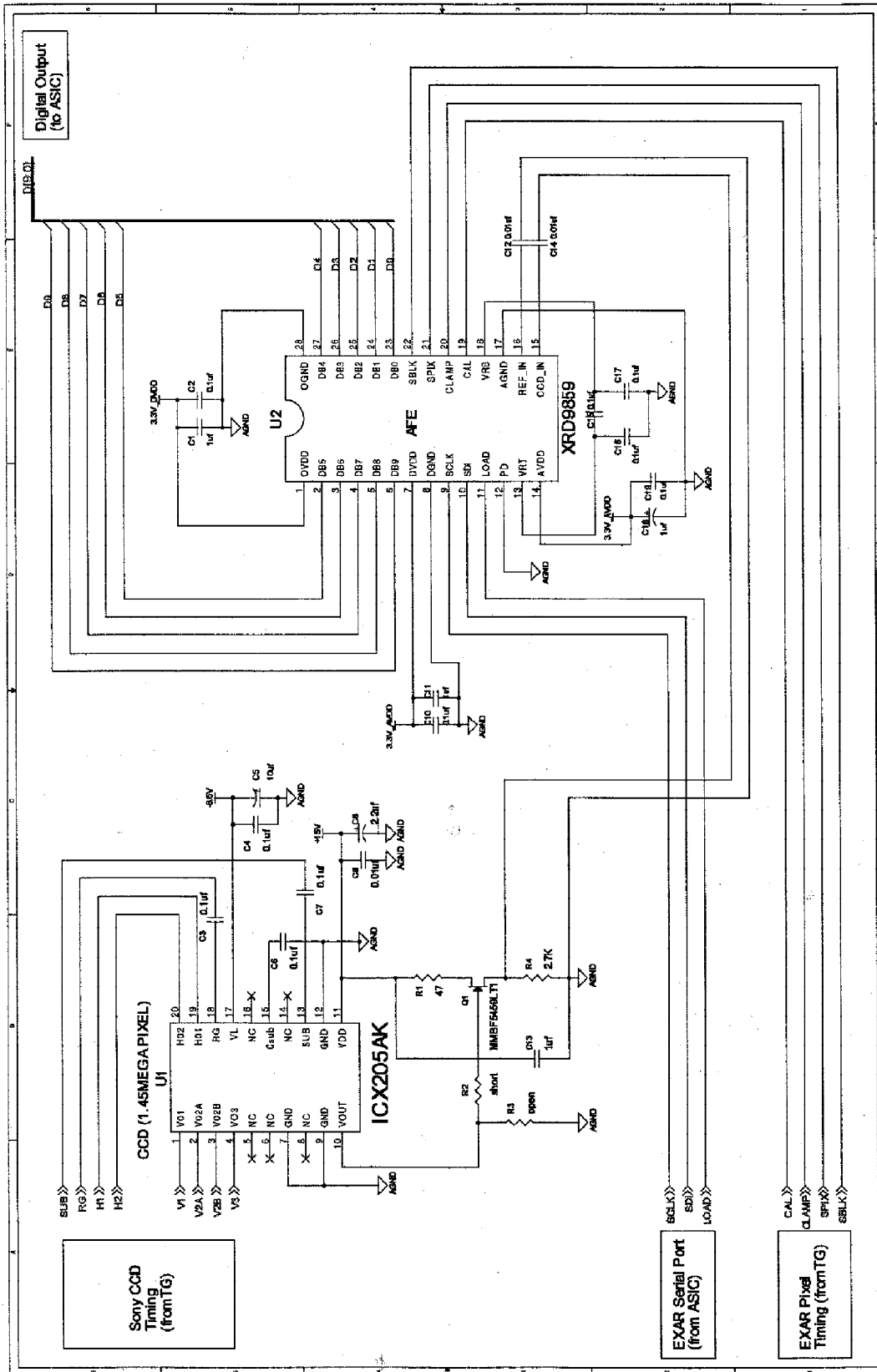


Figure 16. XRD9859 Camera Reference Schematic (Part A)

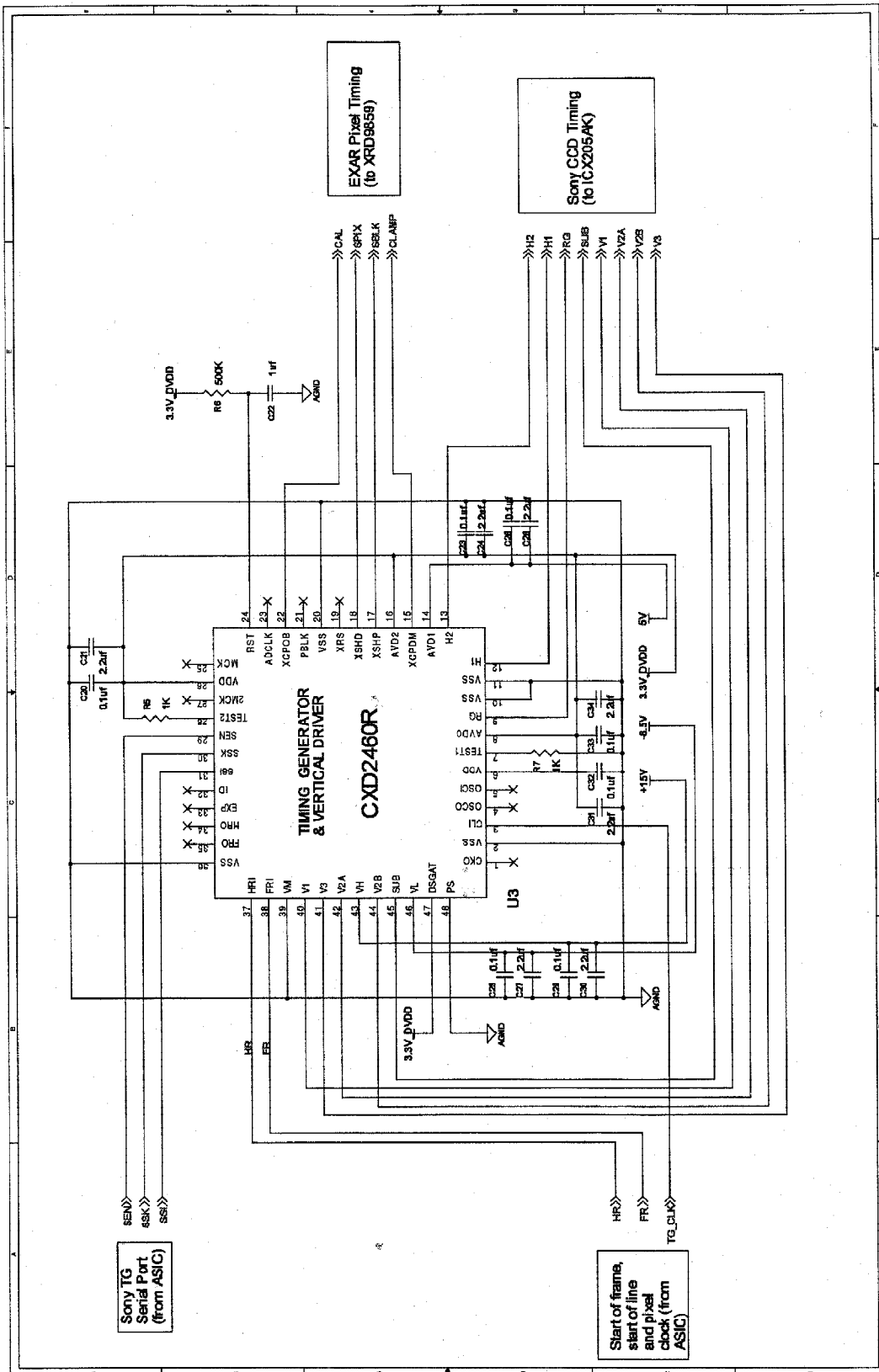
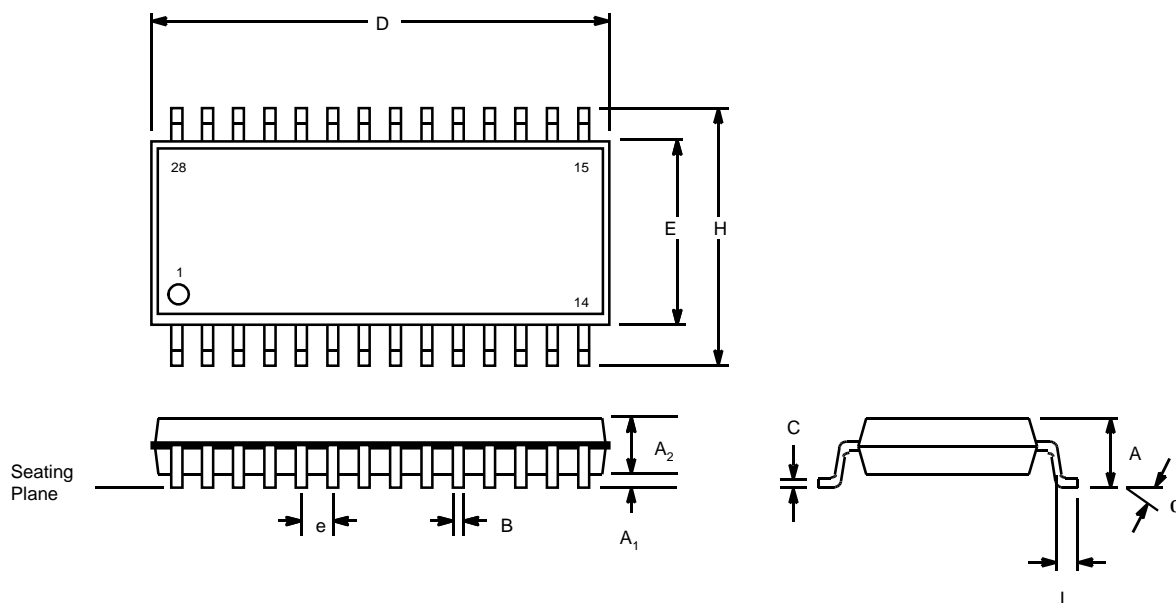


Figure 17. XRD9859 Camera Reference Schematic (Part B)

28 LEAD SHRINK SMALL OUTLINE PACKAGE (5.3 mm SSOP)

Rev. 2.00



SYMBOL	INCHES		MILLIMETERS	
	MIN	MAX	MIN	MAX
A	0.067	0.079	1.7	2
A1	0.002	0.006	0.05	0.15
A2	0.065	0.073	1.65	1.85
B	0.009	0.015	0.22	0.38
C	0.004	0.01	0.09	0.25
D	0.39	0.414	9.9	10.5
E	0.197	0.221	5	5.6
e	0.0256 BSC		0.65 BSC	
H	0.292	0.323	7.4	8.2
L	0.022	0.037	0.55	0.95
α	0°	8°	0°	8°

Note: The control dimension is the inch column

NOTICE

EXAR Corporation reserves the right to make changes to the products contained in this publication in order to improve design, performance or reliability. EXAR Corporation assumes no responsibility for the use of any circuits described herein, conveys no license under any patent or other right, and makes no representation that the circuits are free of patent infringement. Charts and schedules contained here in are only for illustration purposes and may vary depending upon a user's specific application. While the information in this publication has been carefully checked; no responsibility, however, is assumed for in accuracies.

EXAR Corporation does not recommend the use of any of its products in life support applications where the failure or malfunction of the product can reasonably be expected to cause failure of the life support system or to significantly affect its safety or effectiveness. Products are not authorized for use in such applications unless EXAR Corporation receives, in writing, assurances to its satisfaction that: (a) the risk of injury or damage has been minimized; (b) the user assumes all such risks; (c) potential liability of EXAR Corporation is adequately protected under the circumstances.

Copyright 2000 EXAR Corporation

Datasheet March 2000

Reproduction, in part or whole, without the prior written consent of EXAR Corporation is prohibited.