

Surface Mount Low Frequency Crystal

Series **CT5**

- Ultra thin plastic molded package
- High reliability and excellent shock and heat resistance
- Tight stability option

Part Numbering Example: CT5 Z - A1 B5 C5 - 32.768K D12.5

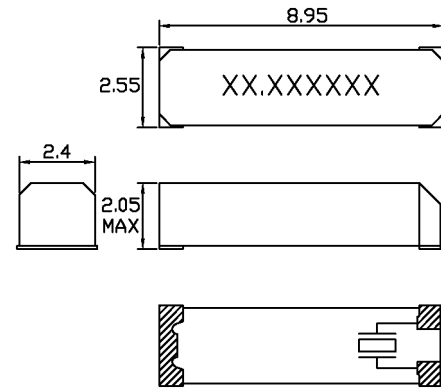
CT5	Z	A1*	B5	C5	76.800K	D12.5
SERIES	ADDED FEATURES	OPERATING TEMP.	STABILITY	TOLERANCE	FREQUENCY	LOAD CAP.
CT5	BLANK = BULK PACK Z = TAPE AND REEL	A0 = -10°C ~ +60°C A1 = -10°C ~ +70°C A2 = -40°C ~ +85°C A3 = -55°C ~ +125°C	B1 = ±100 B2 = ± 50 B3 = ± 30 B4 = ± 10 B5 = ± 20	C1 = ±100 C2 = ± 50 C3 = ± 30 C4 = ± 10 C5 = ± 20		D6 = 6.0 pF D12.5 = 12.5 pF

*NOTE: The above ABC combinations cover basic specification options. We tailor our crystal specifications to meet customer requirements. Please contact our sales department if you don't see exactly what you need.

Specifications:

Frequency Range:	32.768 KHz 76.800 KHz
Operating Temperature:	-20°C ~ +70°C
Temperature Coefficient:	-(0.035 ± 0.008) ppm/°C ²
Frequency Tolerance:	± 50 ppm ± 20 ppm <i>Standard</i> ± 10 ppm
Load Capacitance:	6 pF, 12.5 pF
Resistance:	50,000Ω Max
Standard:	Shunt Capacitance: 0.9 pF typ. Aging: ± 3 ppm/year Max Drive Level: 1.0 μW Max Packaging: Tape and Reel (3K per Reel)

CT5



RECOMMENDED SOLDER PAD LAYOUT

