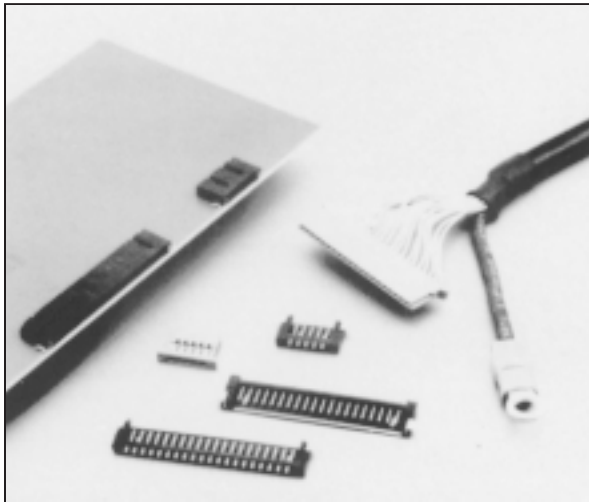


LZ SERIES CONNECTORS

1.25mm (.049") Contact Spacing, PCB-to-Cable (Crimp Type) Connectors



.....

Subminiature, low profile connectors with 1.25mm (.049") contact spacing and 2.0mm (.079") mounted height. SMT board mounting sides are supplied on embossed tape for automated mounting. Applications include PCB to cable and LCD interface.

GENERAL SPECIFICATIONS

Number of Contacts	5, 10, 15, 20, 25, 30, 35
Contact Spacing	1.25mm (.049"), single row
Current Rating	1 Amp
Dielectric Withstanding Voltage	500 VAC r.m.s. (for one minute)
Insulation Resistance	100 megohms min.
Contact Resistance	20 milliohms max.
Operating Temperature Range	-40°C to +85°C
Applicable Wire	#28 to #32 AWG (stranded)

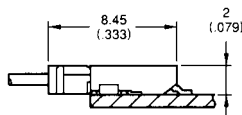
FEATURES

- Embossed tape for automated mounting process
- Polarizing key prevents mismatching
- Socket contacts on cable side are gold-plated
- Dual contact configuration provides reliable connection and low mating/unmating force
- Cable harnesses may be made to your specifications

MATERIALS AND FINISHES

Description	Materials/Finishes
Pin Contact	Copper Alloy: Connecting area/Gold plating over Nickel Terminal area/SnPb plating
Socket Contact	Phosphor Bronze/Gold plating over Nickel
Insulator	Pin Header: Glass-filled PPS (UL94V-0, Black) Socket Housing: Glass-filled 6-6 Nylon (UL94V-0, Brown)
Hold-down	Copper Alloy/SnPb plating over Nickel

Connector Profile (Ref.)



ORDERING INFORMATION

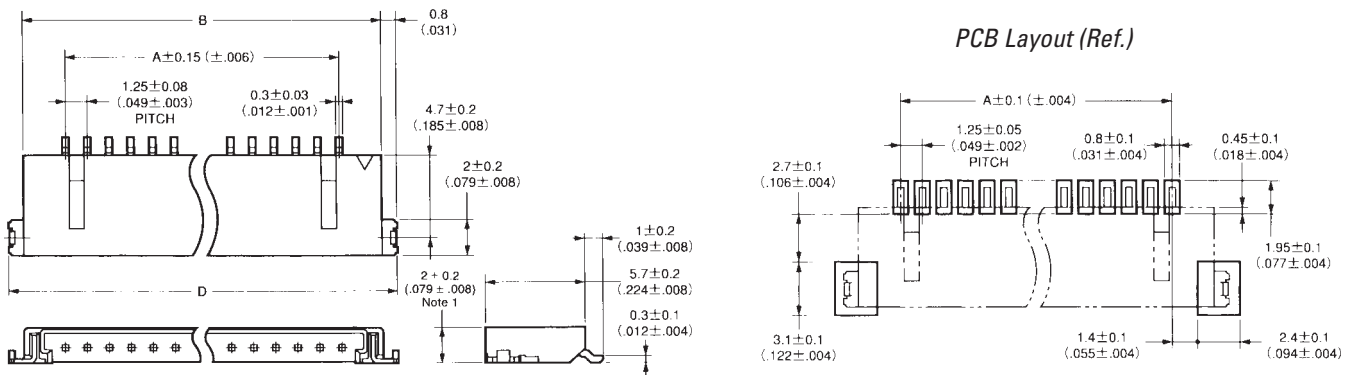
	LZ	-	**	*	-	S	*	***	***
Series									
No. of Contacts	5, 10, 15, 20, 25, 30								
Contact Type	P – Pin S – Socket								
Contact Arrangement	S – Single Row								
Termination	L – Right Angle C – Crimp Contact								
(Pin) Mounting Type	SMT – Surface Mount								
(Socket) Applicable Wire Size	3 – #28 to #32 AWG								
(Pin) Connector Height	(5 to 30 Contacts) None – 2.0mm (.079") (35 Contacts) H25 – 2.5mm (.098")								

Dimensions and specifications subject to change without notice.

LZ SERIES CONNECTORS

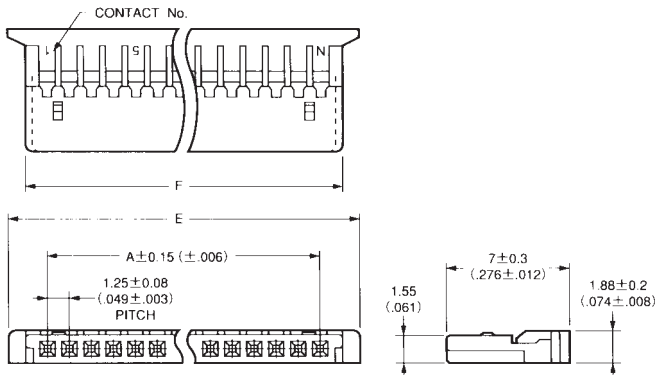
1.25mm (.049") Contact Spacing, PCB-to-Cable (Crimp Type) Connectors

PIN HEADER



Note 1: Connector height 2.5mm (.098") for 35 contacts.

SOCKET HOUSING



SOCKET CONTACT • CRIMP

Part Number: LZ-SC-C3-A1-15000

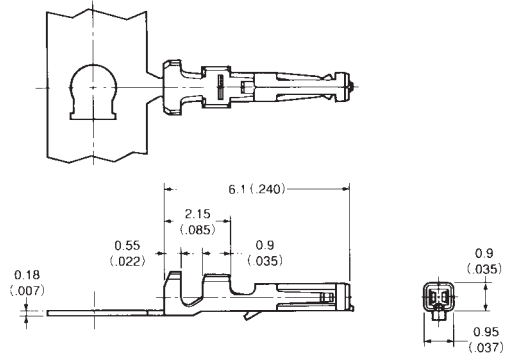
(Note: Supplied in reel magazine for semi-automatic crimping machine. Contacts 15000 pcs. per reel)

Applicable wire size: #28 to #32 AWG

Wire insulation outer dia.: 0.5mm to 0.9mm (.020" to .035")

Semi-automatic crimping machine: CT350-2-LZ

Hand crimping tool: CT150-4B-LZ



No. of Contacts	Part Number		A	B ± 0.3 (.012)	D ± 0.4 (.016)	E ± 0.3 (.012)	F
	Pin Header (See Below)	Socket Housing					
5	LZ- 5P-SL-SMT-E3000	LZ- 5S-SC3	5.00 (.197)	9.80 (.386)	11.40 (.449)	9.47 (.373)	7.47 (.294)
10	LZ-10P-SL-SMT-E3000	LZ- 10S-SC3	11.25 (.443)	16.05 (.632)	17.65 (.695)	15.72 (.619)	13.72 (.540)
15	LZ-15P-SL-SMT-E3000	LZ- 15S-SC3	17.50 (.689)	22.30 (.878)	23.90 (.941)	21.97 (.865)	19.97 (.786)
20	LZ-20P-SL-SMT-E3000	LZ- 20S-SC3	23.75 (.935)	28.55 (1.124)	30.15 (1.187)	28.22 (1.111)	26.22 (1.032)
25	LZ-25P-SL-SMT-E3000	LZ- 25S-SC3	30.00 (1.181)	34.80 (1.370)	36.40 (1.433)	34.47 (1.357)	32.47 (1.278)
30	LZ-30P-SL-SMT-E3000	LZ- 30S-SC3	36.25 (1.427)	41.05 (1.616)	42.65 (1.679)	40.72 (1.603)	38.72 (1.524)
35	LZ-35P-SL-SMTH25-E3000	LZ- 35S-SC3	42.50 (1.673)	47.30 (1.862)	48.90 (1.925)	46.97 (1.849)	44.97 (1.770)

Note 1: Supplied in embossed-tape reels.

Suffix "-E3000" of the part number indicates that 3,000 pcs. of "LZ-*P-SL-SMT" connectors are supplied per reel.

Please consult JAE for embossed tape specifications.

Dimensions in mm (inches).

