

USB B series right-angle through hole type 4-contacts female connector

QZF-B4LFDG()A2()()+C

Standardized
For PCB
Right-angle Through hole
USB 2.0 standard

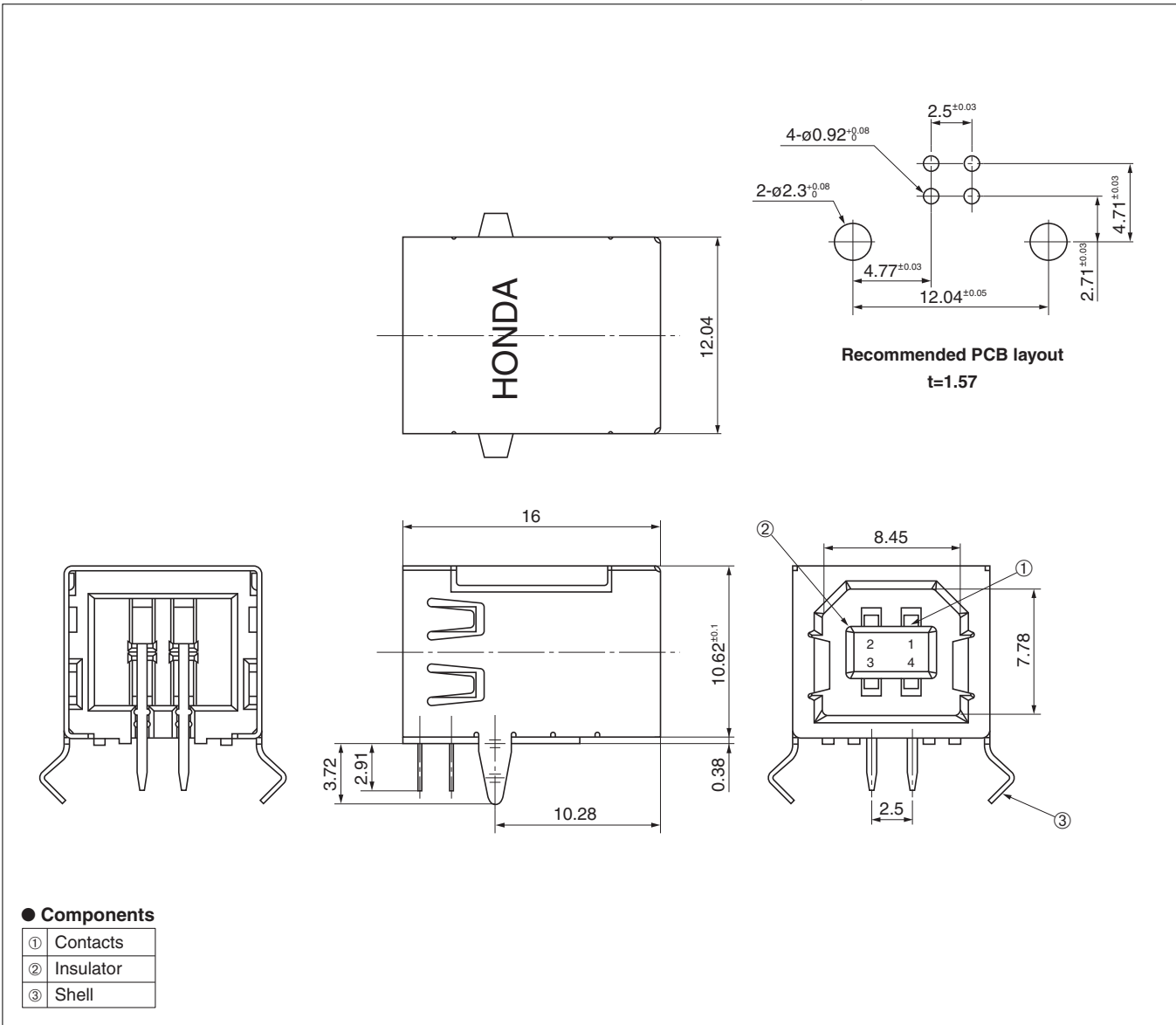
RoHS



● Configuration of product Part No.

QZF- B 4 LFD G() A2 () ()+C

- | | |
|--|---|
| ① Series name | ⑥ Insulator color |
| ② Type of connector
B: B series | K: White
D: Black |
| ③ No. of contacts: 4 | ⑦ Logo mark
#H: HONDA logo |
| ④ Type of contact
LFD: Right-angle
through hole type, female | Note: Minimum order size is 1,200 items.
If you would like to order more than this,
please make orders in amounts of 150
pieces, for example 1,350 pieces, 1,500
pieces, etc... |
| ⑤ Contact plating
G7: 0.76 μm Gold plate | |



Mating connectors: USB B series connector for cable (USB 2.0 standard)