

Coaxial Directional Coupler

ZFDC-10-21

50Ω

1 to 1000 MHz



BNC version shown
CASE STYLE: K18

Maximum Ratings

Operating Temperature	-55°C to 100°C
Storage Temperature	-55°C to 100°C

Coaxial Connections

INPUT	1
OUTPUT	2
COUPLED	3

Features

- wideband, 1 to 1000 MHz
- excellent directivity, 25 dB typ.
- rugged shielded case

Applications

- VHF/UHF
- cellular
- instrumentation
- communications receivers & transmitters

Connectors	Model	Price	Qty.
BNC	ZFDC-10-21	\$54.95	(1-9)
SMA	ZFDC-10-21-S	\$59.95	(1-9)
N-TYPE	ZFDC-10-21-N	\$59.95	(1-9)
BRACKET (OPTION "B")		\$2.50	(1+)

Directional Coupler Electrical Specifications

FREQ. RANGE (MHz)	COUPLING* (dB)		MAINLINE LOSS ¹ (dB)						DIRECTIVITY (dB)						VSWR (:1)	POWER INPUT (W)		
	Nom.	Flatness	L		M		U		L		M		U			Typ.	L	MU
			Typ.	Max.	Typ.	Max.	Typ.	Max.	Typ.	Min.	Typ.	Min.	Typ.	Min.				
1-1000	11±0.5	±0.5	1.2	2.1	1.2	1.7	1.6	2.0	40	30	25	20	25	20	1.2	1.0	2.0	

L = low range [f_L to $10 f_L$] M = mid range [$10 f_L$ to $f_U/2$] U = upper range [$f_U/2$ to f_U]

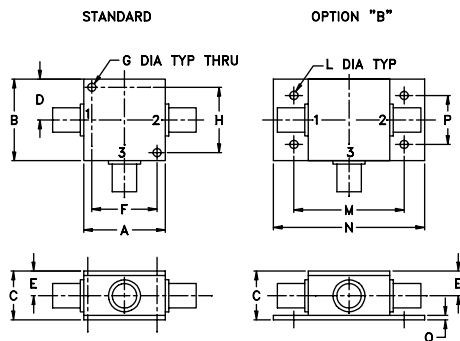
1. Mainline loss includes theoretical power loss at coupled port.

* Upper range coupling flatness ±0.75 dB

Typical Performance Data

Frequency (MHz)	Mainline Loss (dB) In-Out	Coupling (dB) In-Cpl	Directivity (dB)	Return Loss (dB)		Cpl
				In	Out	
1.00	1.40	11.11	57.10	19.66	15.47	14.40
5.00	1.10	10.69	57.53	29.35	18.65	17.89
9.00	1.06	10.64	58.41	33.22	19.11	18.54
127.00	1.09	10.63	53.14	35.93	19.06	18.61
283.00	1.13	10.67	41.08	33.11	18.61	17.79
440.00	1.15	10.67	34.18	32.39	17.97	16.96
540.00	1.32	10.77	31.02	32.13	17.66	16.67
678.00	1.38	10.77	27.90	29.33	17.37	16.50
873.00	1.48	10.76	24.75	23.76	17.46	17.00
1000.00	1.70	10.84	23.41	20.67	17.70	17.66

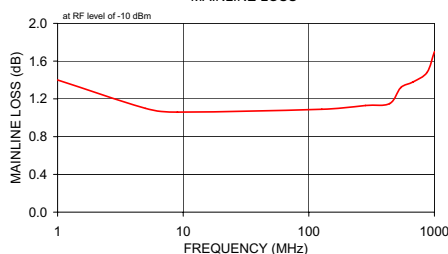
Outline Drawing



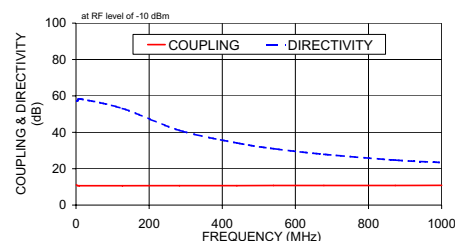
Outline Dimensions (inch/mm)

A	B	C	D	E	F	G	H	J	K	L	M	N	P	Q	wt
1.25	1.25	.75	.63	.38	1.00	.125	1.000	--	--	.125	1.688	2.18	.75	.07	grams
31.75	31.75	19.05	16.00	9.65	25.40	3.18	25.40	--	--	3.18	42.88	55.37	19.05	1.78	70.0

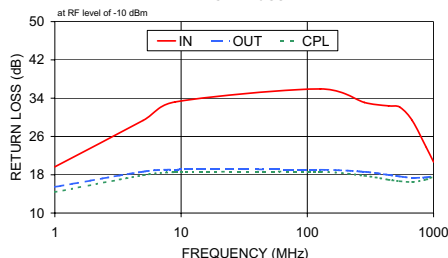
ZFDC-10-21 MAINLINE LOSS



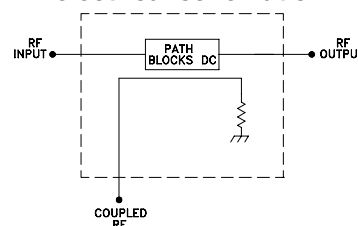
ZFDC-10-21 COUPLING & DIRECTIVITY



ZFDC-10-21 RETURN LOSS



electrical schematic



Mini-Circuits®
ISO 9001 ISO 14001 CERTIFIED

ALL NEW
minicircuits.com

P.O. Box 350166, Brooklyn, New York 11235-0003 (718) 934-4500 Fax (718) 332-4661 For detailed performance specs & shopping online see Mini-Circuits web site



The Design Engineers Search Engine Provides ACTUAL Data Instantly From MINI-CIRCUITS At: www.minicircuits.com

RF/IF MICROWAVE COMPONENTS

REV. OR
M93827
ZFDC-10-21
WZ/TD/CP
070315