

Right-angle SMT type modular jack for PCB
MOD-J88YA()A+

Modular connector

For PCB

Right-angle SMT

FCC

RoHS

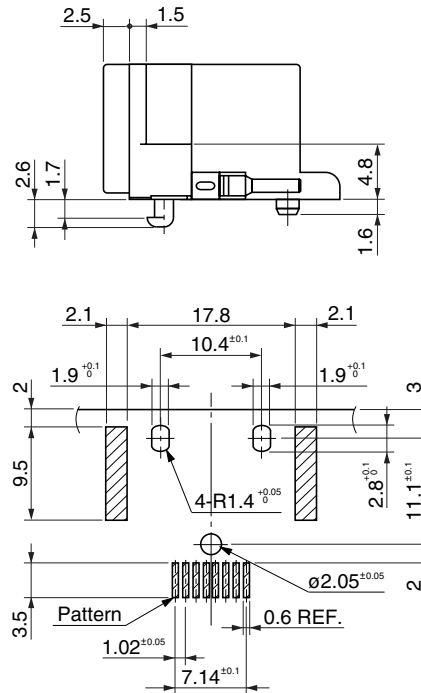
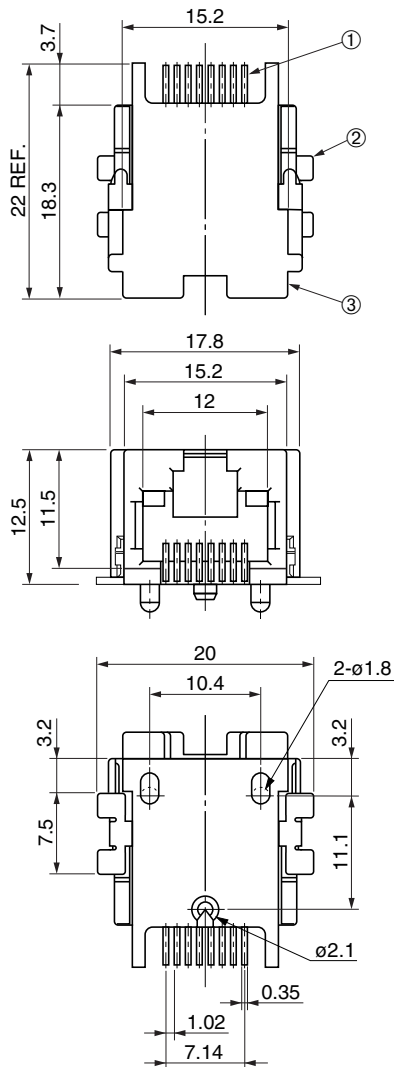


● Configuration of product Part No.

MOD- J88 YA ()A+

① ② ③ ④

- ① Series name
- ② 8-8 Jack
- ③ Type of contact
Right-angle SMT type
- ④ Contact plating
02: Min. 0.2 μm Gold plate
07: Min. 0.76 μm Gold plate
12: Min. 1.27 μm Gold plate



Recommended PCB layout

● Components

①	Contacts
②	Hold down
③	Insulator

Mating connectors: 8-8 modular plug