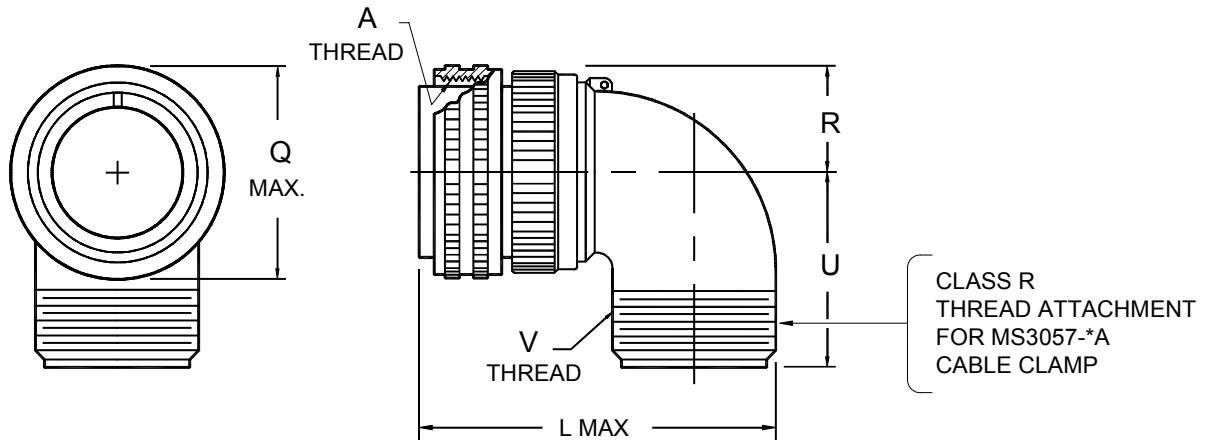


SCP08G SCPG08G 90° PLUG



SHELL SIZE	A COUPLING THREAD CLASS 2B	L MAX.	Q MAX.	R MAX.	U MAX.	V ACCESSORY THREAD CLASS 2A
8S	1/2-28 UNEF	2.156 [54.76]	.844 [21.44]	.422 [10.72]	1.469 [37.31]	1/2-28 UNEF
10S	5/8-24 UNEF	2.156 [54.76]	.969 [24.61]	.516 [13.11]	1.469 [37.31]	1/2-28 UNEF
10SL	5/8-24 UNEF	2.188 [55.58]	.969 [24.61]	.516 [13.11]	1.500 [38.10]	5/8-24 UNEF
12	3/4-20 UNEF	2.531 [64.29]	1.062 [26.97]	.562 [14.27]	1.500 [38.10]	5/8-24 UNEF
12S	3/4-20 UNEF	2.188 [55.58]	1.062 [26.97]	.562 [14.27]	1.500 [38.10]	5/8-24 UNEF
14	7/8-20 UNEF	2.688 [68.28]	1.156 [29.36]	.625 [15.87]	1.594 [40.49]	3/4-20 UNEF
14S	7/8-20 UNEF	2.312 [58.72]	1.156 [29.36]	.625 [15.87]	1.594 [40.49]	3/4-20 UNEF
16	1-20 UNEF	2.781 [70.64]	1.250 [31.75]	.688 [17.48]	1.688 [42.88]	7/8-20 UNEF
16S	1-20 UNEF	2.406 [61.11]	1.250 [31.75]	.688 [17.48]	1.688 [42.88]	7/8-20 UNEF
18	1 1/8-18 UNEF	2.844 [72.24]	1.344 [34.14]	.750 [19.05]	1.781 [45.24]	1-20 UNEF
20	1 1/4-18 UNEF	3.250 [82.55]	1.469 [37.31]	.844 [21.44]	1.969 [50.01]	1 3/16-18 UNEF
22	1 3/8-18 UNEF	3.250 [82.55]	1.594 [40.49]	.906 [23.01]	2.000 [50.80]	1 3/16-18 UNEF
24	1 1/2-18 UNEF	3.719 [94.46]	1.719 [43.66]	.953 [24.21]	2.125 [53.97]	1 7/16-18 UNEF
28	1 3/4-18 UNS	3.719 [94.46]	1.969 [50.01]	1.094 [27.79]	2.188 [55.58]	1 7/16-18 UNEF
32	2-18 UNS	4.188 [106.38]	2.219 [56.36]	1.234 [31.34]	2.594 [65.89]	1 3/4-18 UNS
36	2 1/4-16 UN	4.297 [109.14]	2.469 [62.71]	1.359 [34.52]	2.719 [69.06]	2-18 UNS
40	2 1/2-16 UN	4.516 [114.71]	2.719 [69.06]	1.422 [36.12]	3.188 [80.98]	2 1/4-16 UN

1. DIMENSIONS IN BRACKETS [] ARE IN MILLIMETERS.

1B023

MIL-DTL-5015 SERIES I SOLDER OR CRIMP (F80) CONTACTS