

REVISION A

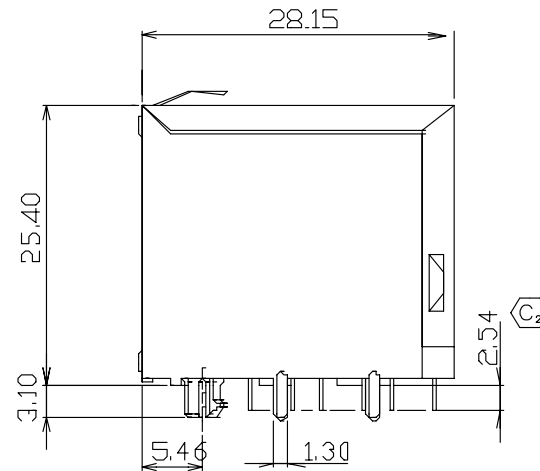
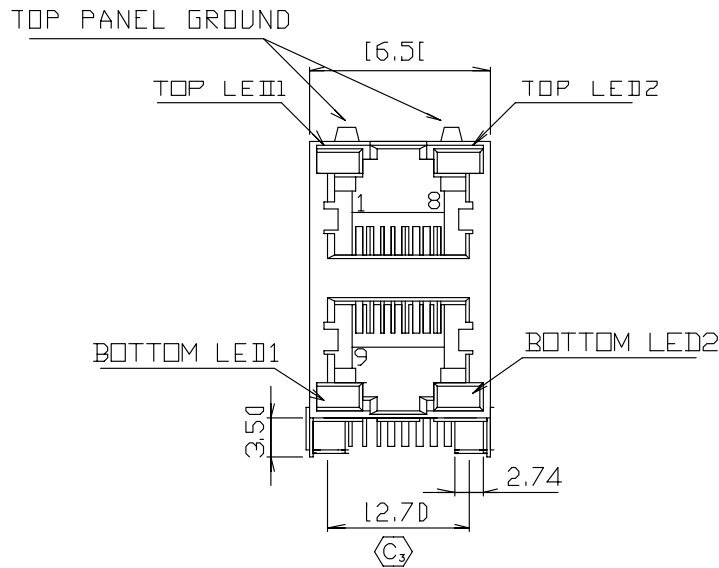
Code	Forward	Reverse	Code	Forward	Reverse
G	Green	----	2	Yellow	Orange
Y	Yellow	----	3	Green	Red
1	Green	Orange	4	Yellow	Red

MODM-D-02-8P8C-X-S-XX

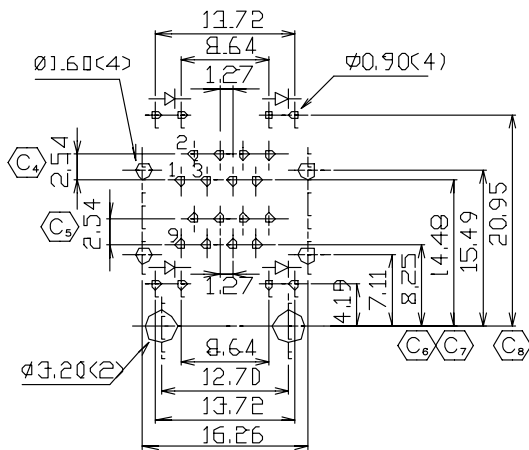
TYPE -D LED DESIGNATION Code (See Table 1)

PORTS -02 SHEILD

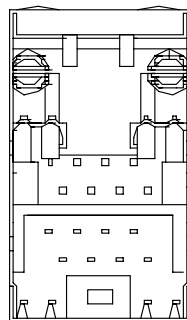
POSITIONS/CONTACTS -8P8C: 8 Pos/8 Con PLATING (C1)  
 -S: .000015" Gold  
 -L: .000030" Gold  
 -E: .000050" Gold



DO NOT SCALE FROM THIS PRINT



PCB LAYOUT



NOTES:

- (C) REPRESENTS CRITICAL DIMENSION.
- CRITICAL DIMENSIONS ON PCB LAYOUT APPLY TO THE ASSEMBLY

UNLESS OTHERWISE SPECIFIED, DIMENSIONS ARE IN MM. TOLERANCES ARE:

DECIMALS .X: ±.25 .XX: ±.13 .XXX: ±.05

ANGLES 2°

**PROPRIETARY NOTE**  
 THIS DOCUMENT CONTAINS INFORMATION CONFIDENTIAL AND PROPRIETARY TO SAMTEC INC. AND SHALL NOT BE REPRODUCED OR TRANSFERRED TO OTHER DOCUMENTS OR DISCLOSED TO OTHERS OR USED FOR ANY PURPOSE OTHER THAN THAT FOR WHICH IT WAS OBTAINED WITHOUT THE EXPRESSED WRITTEN CONSENT OF SAMTEC INC.

**samtec**

520 PARK EAST BLVD. NEW ALBANY, IN 47150  
 (812) 944-6733 P.O. BOX 1147 TWX: 810-540-4085

CODE: 55322

DO NOT SCALE DRAWING  
 INSULATOR: PBT 20% Glass Filled  
 SPRING WIRE: .35mm Phos Bronze  
 SHELL: Copper Alloy

SHEET SCALE: 1:2

DESCRIPTION:  
 RJ45 8pos. Double Deck Gang Shielded Jack with LED

DWG. NO. MODM-D-02-8P8C-X-S-XX

MAX FLASH ALLOWED: .051  
 MAX GATE VESTIGE: .051  
 F:\DWG\MISC\MKTG

BY: J. Riley 02/3/04 SHEET 1 OF 1