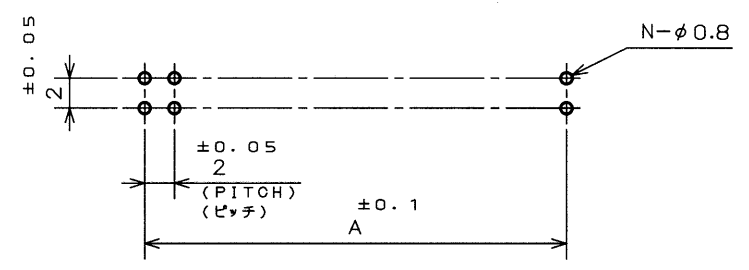
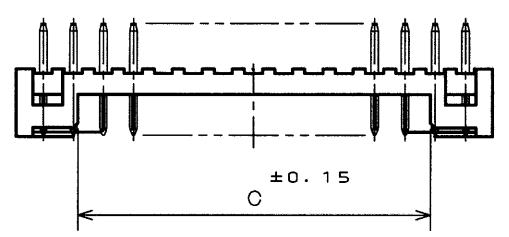


LD18181S  
(DRAWING NO.)

| 版数<br>REV. | 年月日<br>DATE | DCN NO. | 変更内容<br>DESCRIPTION | 製図<br>DR. | 担当<br>CHK. | 査閲<br>APPD. | 承認<br>APPD. |
|------------|-------------|---------|---------------------|-----------|------------|-------------|-------------|
|            |             |         |                     |           |            |             |             |

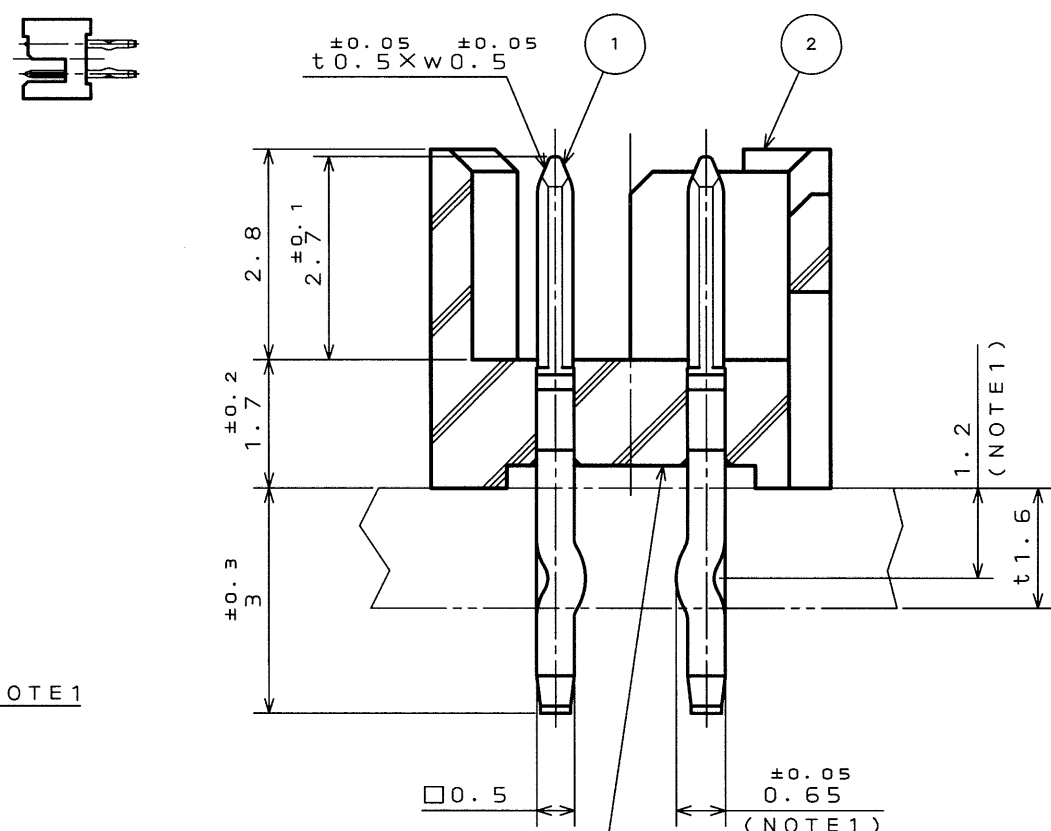
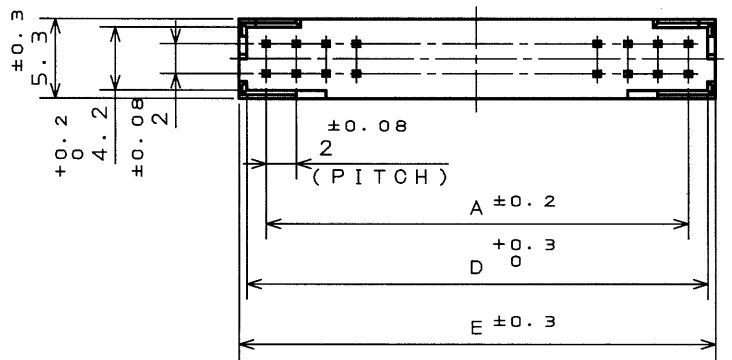


APPLICABLE P.C.B. DIMENSION(REF.)  
適合基板寸法(参考)

TABLE1 FINISH (AFTER PLATING)

表1 仕上(後めっき)

| FINISH<br>仕上記号       | 1   | 2   | 3   | 5                            |
|----------------------|---|---|---|------------------------------|
| CONTACT<br>コンタクト     |   |   |   |                              |
| CONTACT AREA<br>接触部  | GOLD PLATING OVER NICKEL<br>(GOLD:0.1μmMIN)<br>N1上Au0.1μm以上 | GOLD PLATING OVER NICKEL<br>(GOLD:0.3μmMIN)<br>N1上Au0.3μm以上 | GOLD PLATING OVER NICKEL<br>(GOLD:0.75μmMIN)<br>N1上Au0.75μm以上 | (LEAD FREE)<br>TIN/TIN ALLOY |
| TERMINAL AREA<br>結線部 | (LEAD FREE)<br>TIN/TIN ALLOY                                |   |   |                              |



RAISED COMPANY LOGO, NO. OF CONTACTS  
AND TOOLING MARK  
社標、芯数及び金型記号表示

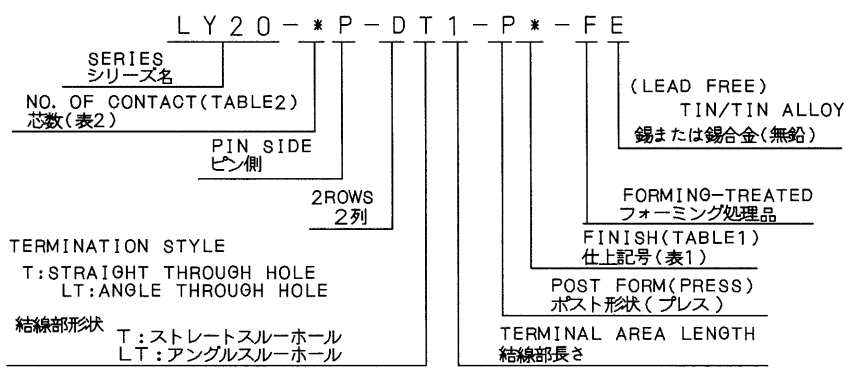
SECT. A-A  
(SCALE 10:1)

TABLE2 NO. OF CONTACTS AND DIMENSIONS

表2 芯数及び寸法

| DIMENSIONS<br>寸法 | A  | B  | C    | D    | E    |
|------------------|----|----|------|------|------|
| 4                | 2  | —  | —    | 4.6  | 5.6  |
| 6                | 4  | —  | —    | 6.6  | 7.6  |
| 8                | 6  | —  | 1.4  | 8.6  | 9.6  |
| 10               | 8  | —  | 3.4  | 10.6 | 11.6 |
| 12               | 10 | 2  | 5.4  | 12.6 | 13.6 |
| 14               | 12 | 4  | 7.4  | 14.6 | 15.6 |
| 16               | 14 | 6  | 9.4  | 16.6 | 17.6 |
| 18               | 16 | 8  | 11.4 | 18.6 | 19.6 |
| 20               | 18 | 10 | 13.4 | 20.6 | 21.6 |
| 22               | 20 | 12 | 15.4 | 22.6 | 23.6 |
| 24               | 22 | 14 | 17.4 | 24.6 | 25.6 |
| 26               | 24 | 16 | 19.4 | 26.6 | 27.6 |
| 28               | 26 | 18 | 21.4 | 28.6 | 29.6 |
| 30               | 28 | 20 | 23.4 | 30.6 | 31.6 |
| 32               | 30 | 22 | 25.4 | 32.6 | 33.6 |
| 34               | 32 | 24 | 27.4 | 34.6 | 35.6 |
| 36               | 34 | 26 | 29.4 | 36.6 | 37.6 |
| 38               | 36 | 28 | 31.4 | 38.6 | 39.6 |
| 40               | 38 | 30 | 33.4 | 40.6 | 41.6 |
| 42               | 40 | 32 | 35.4 | 42.6 | 43.6 |
| 44               | 42 | 34 | 37.4 | 44.6 | 45.6 |

DESIGNATION  
命名法



NOTE1.FOUR CORNER TERMINALS SHOWN SHALL BE FORMING-TREATED.  
注1. 図示の位置の(4隅)の計4端子に、フォーミング処理を施す。

| 2                     | INSULATOR         | 1                                | GLASS FILLED 6-6NY | UL94V-0<br>COLOR:NATURAL(BROWN)                       |               |
|-----------------------|-------------------|----------------------------------|--------------------|---|---------------|
| 1                     | POST              | TABLE2                           | PHOSPHOR BRONZE    | TABLE1  |               |
| 符号<br>NO.             | 名称<br>DESCRIPTION | 個数<br>QTY.                       | 材料<br>MATERIAL     | 仕上<br>FINISH  | 備考<br>REMARKS |
| 仕様書(SPECIFICATION)    |                   | 第1版(ORIGINAL DATE)<br>3.Mar.2003 |                    | JAE-CONNECTOR.COM                                     |               |
| 公差(GENERAL TOLERANCE) |                   | 製図<br>DR.                        | J.ICHIIYAMA        | 名称(TITLE)<br>LY20-*P-DT1-P*-FE<br>STRAIGHT PIN HEADER |               |
| 寸法(DIMENSION)         |                   | 担当<br>CHK.                       | S.KASHIWAGI        | JAPAN AVIATION<br>ELECTRONICS<br>INDUSTRY, LTD.       |               |
| 角度(ANGLES)            |                   | 査閲<br>APPD.                      | —                  | 図面番号(DRAWING NO.)<br>SJ038181                         |               |
| . ±0.8                |                   | 承認<br>APPD.                      | <i>T. Morino</i>   | 重量(WEIGHT)  |               |
| .X ±0.4               |                   |                                  |                    |   |               |
| .XX ±0.1              |                   |                                  |                    |   |               |
| .XXX ±                |                   |                                  |                    |   |               |

LEAD FREE この製品は鉛フリー品です

DOF-0-212D(98.02)

CDS-03-199-50088  
SIZE A3