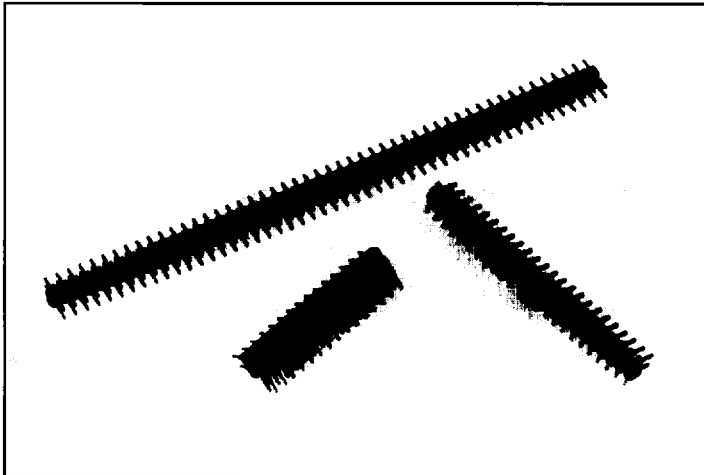


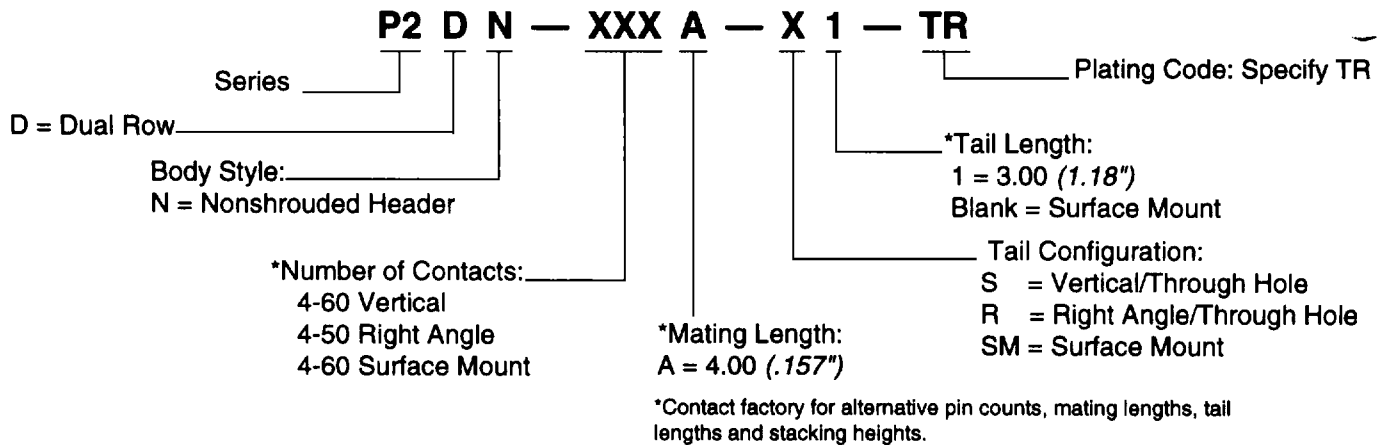
2mm Headers, Dual Row P2 Series



- High temp, surface mount compatible
- 2mm pin-to-pin and row-to-row spacing
- Vertical or right angle through hole product
- Right angle insulator design with ribs stabilizes connector on PCB
- Right angle, open pin insulator facilitates IR processing
- Surface mount (SMT) option for applications with restricted PCB space
- ROBEX® plating
- Flexible pin length capability

Board-to-Board

How To Order P2 Header Series



Materials:

Body: High temp, black thermoplastic
Contacts: Phosphor Bronze

Performance Characteristics:

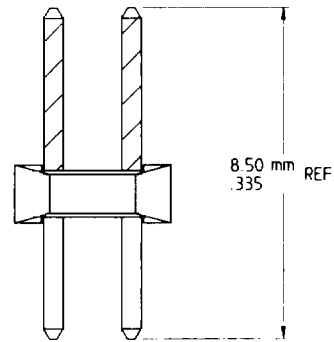
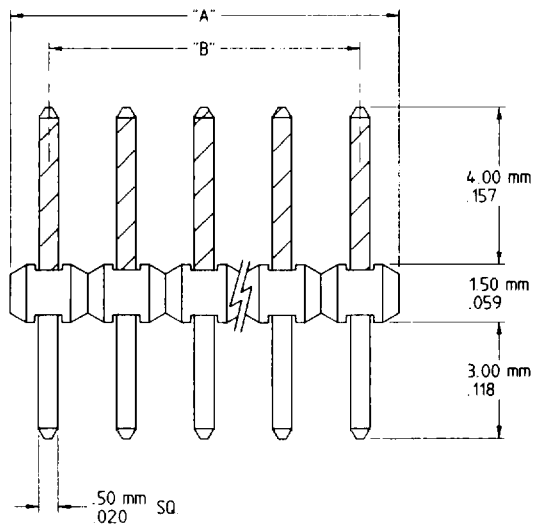
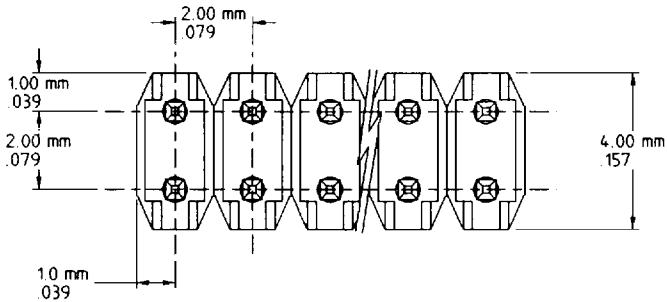
Contact Resistance: 20 mΩ maximum
Insulation Resistance: 1000 M ohms minimum
Dielectric Withstanding Voltage: 650 volts AC
Current Rating: 1 Ampere continuous
Temperature Range: -40°C to +105°C
Flammability: UL 94V-0

Plating Description:

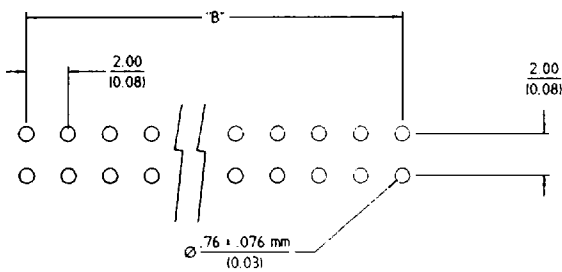
Suffix: TR = ROBEX® [7 μinch (.178 μm) minimum Palladium Nickel with 3 μinch (.076 μm) minimum Gold flash] on contact area.
 100 μinch (2.54 μm) minimum Tin on terminal area.
 50 μinch (.127 μm) minimum Nickel underplate

Contact factory for alternative plating options.

vertical Through Hole P2DN-XXXA-S1-TR

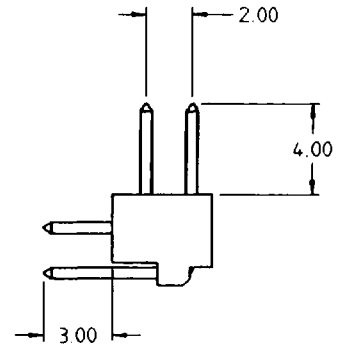
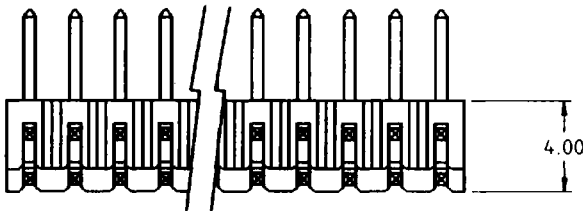
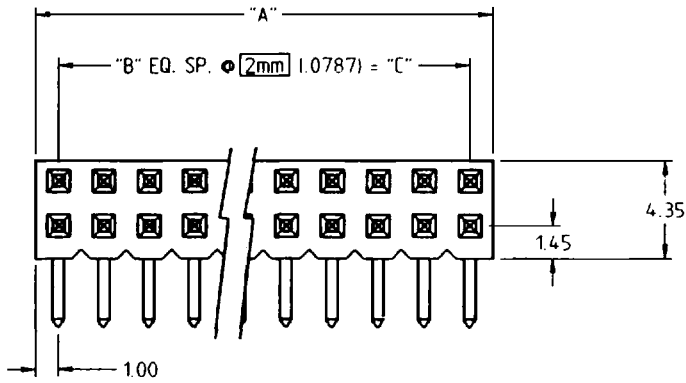


Printed Circuit Board Layout

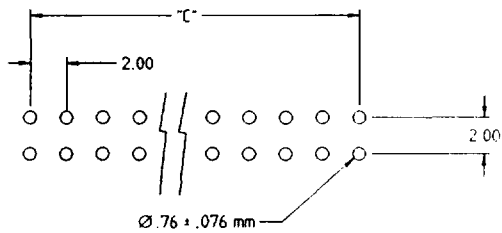


No. of Contacts	Dim "A" mm (Inch)	Dim "B" mm (Inch)
4	4.00 (.157)	2.00 (.079)
6	6.00 (.236)	4.00 (.157)
8	8.00 (.315)	6.00 (.236)
10	10.00 (.394)	8.00 (.315)
12	12.00 (.472)	10.00 (.394)
14	14.00 (.551)	12.00 (.472)
16	16.00 (.630)	14.00 (.551)
18	18.00 (.709)	16.00 (.630)
20	20.00 (.787)	18.00 (.709)
22	22.00 (.866)	20.00 (.787)
24	24.00 (.945)	22.00 (.866)
26	26.00 (1.024)	24.00 (.945)
28	28.00 (1.102)	26.00 (1.024)
30	30.00 (1.181)	28.00 (1.102)
34	34.00 (1.339)	32.00 (1.260)
38	38.00 (1.417)	34.00 (1.339)
40	40.00 (1.575)	38.00 (1.496)
44	44.00 (1.732)	42.00 (1.654)
50	50.00 (1.969)	48.00 (1.890)
60	60.00 (2.362)	58.00 (2.283)

Right Angle Through Hole P2DN-XXXA-R1-TR



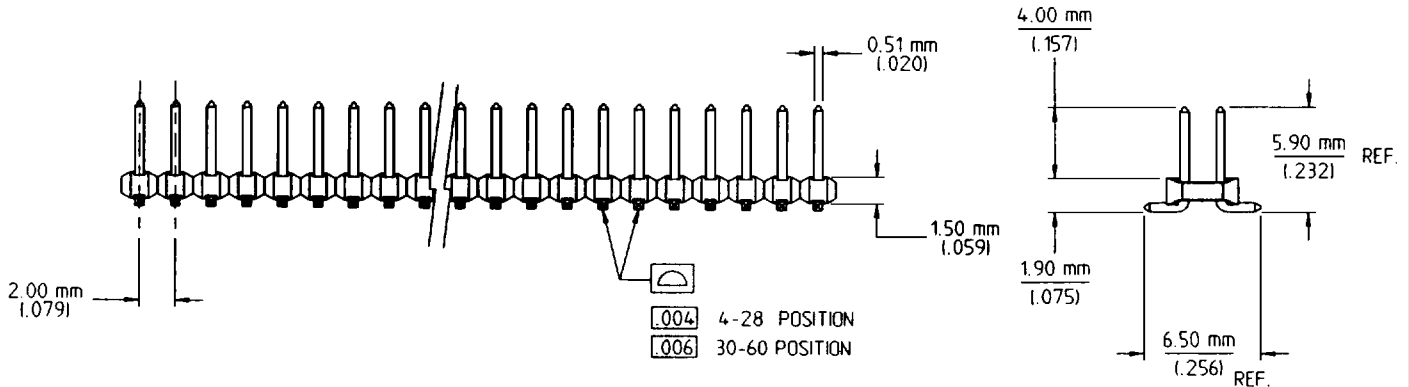
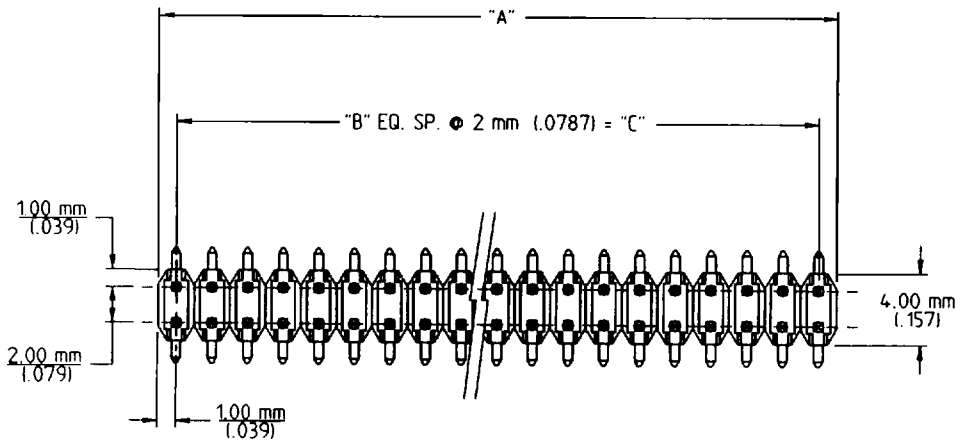
Printed Circuit Board Layout



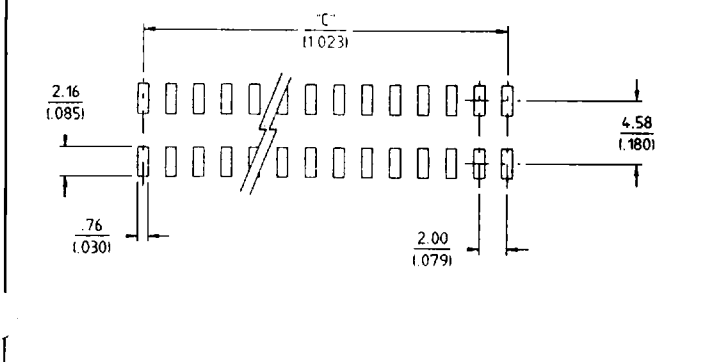
No. of Contacts	Dim "A" mm (Inch)	Dim "B" mm (Inch)	Dim "C" mm (Inch)
4	4.00 (.157)	1	2.00 (.079)
6	6.00 (.236)	2	4.00 (.157)
8	8.00 (.315)	3	6.00 (.236)
10	10.00 (.394)	4	8.00 (.315)
12	12.00 (.472)	5	10.00 (.394)
14	14.00 (.551)	6	12.00 (.472)
16	16.00 (.630)	7	14.00 (.551)
18	18.00 (.709)	8	16.00 (.630)
20	20.00 (.787)	9	18.00 (.709)
22	22.00 (.866)	10	20.00 (.787)
24	24.00 (.945)	11	22.00 (.866)
26	26.00 (1.024)	12	24.00 (.945)
28	28.00 (1.102)	13	26.00 (1.024)
30	30.00 (1.181)	14	28.00 (1.102)
34	34.00 (1.339)	16	32.00 (1.260)
36	36.00 (1.417)	17	34.00 (1.339)
40	40.00 (1.575)	19	38.00 (1.496)
44	44.00 (1.732)	21	42.00 (1.654)
50	50.00 (1.969)	24	48.00 (1.890)

Board-to-Board

Surface Mount P2DN-XXXX-SM-TR



Printed Circuit Board Layout



No. of Contacts	Dim "A" mm (inch)	Dim "B" mm (inch)
4	4.00 (.157)	2.00 (.079)
6	6.00 (.236)	4.00 (.157)
8	8.00 (.315)	6.00 (.236)
10	10.00 (.394)	8.00 (.315)
12	12.00 (.472)	10.00 (.394)
14	14.00 (.551)	12.00 (.472)
16	16.00 (.630)	14.00 (.551)
18	18.00 (.709)	16.00 (.630)
20	20.00 (.787)	18.00 (.709)
22	22.00 (.866)	20.00 (.787)
24	24.00 (.945)	22.00 (.866)
26	26.00 (1.024)	24.00 (.945)
28	28.00 (1.102)	26.00 (1.024)
30	30.00 (1.181)	28.00 (1.102)
34	34.00 (1.339)	32.00 (1.260)
36	36.00 (1.417)	34.00 (1.339)
40	40.00 (1.575)	38.00 (1.496)
44	44.00 (1.732)	42.00 (1.654)
50	50.00 (1.969)	48.00 (1.890)
60	60.00 (2.362)	58.00 (2.283)