

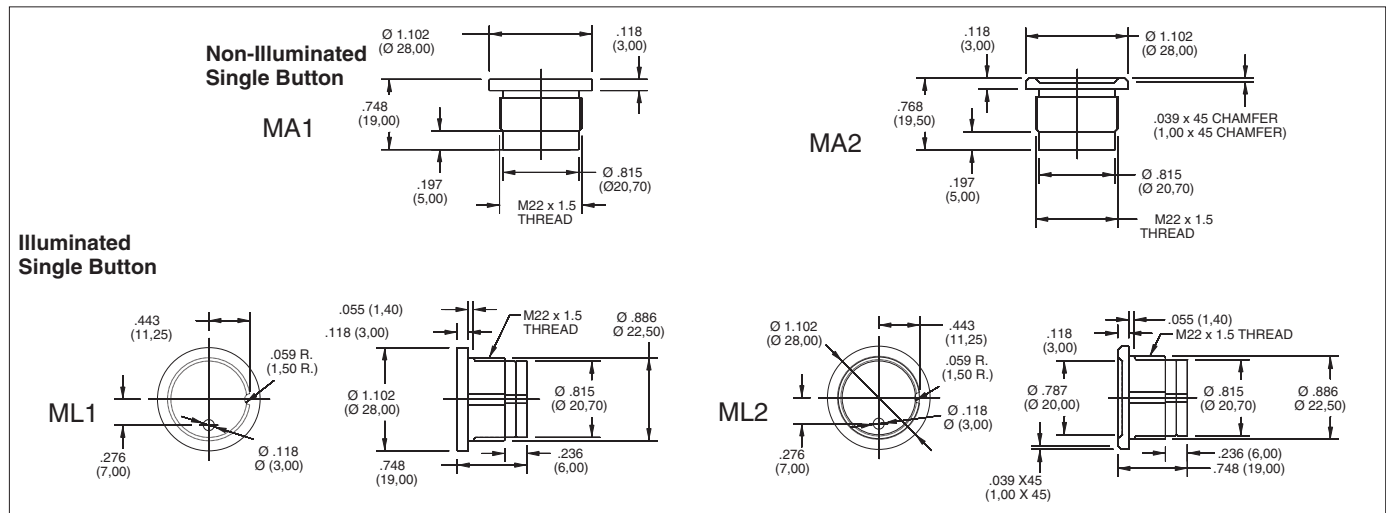
SERIES 37F
PIEZO Pushbutton Switches

FEATURES

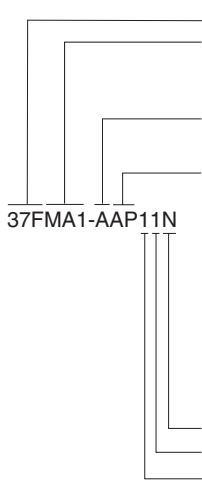
- Fully Sealed
- Virtually Indestructible
- Vandal Resistant
- Indoor and Outdoor Use



DIMENSIONS In inches (and millimeters)



ORDERING INFORMATION, 37FMA AND 37FML



Grayhill Series

Housing Type

MA1, MA2
 ML1*, ML2*

Circuitry

A - N.O., B - N.C.

Electrical Specifications

AW - V Max: 24V, I Max: 0.2 A AC/DC, Term: Red wire

BW - V Max: 24V, I Max: 0.2 A AC/DC, 150 Transient,
 Term: Purple wire

CW - V Max: 24V, I Max: 1.0 A AC/DC, 150 Transient
 Term: Orange/White wire

EW - V Max: 24V, I Max: 0.2 A AC/DC, Term: Green wire,
 N.C. Circuitry Option Only

AP - V. Max: 24V, I Max: 0.2 A AC/DC, Term: PIN

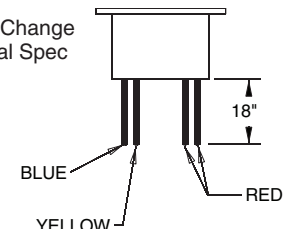
CP** - V Max: 24V, I Max: 1.0 A AC/DC, Term: PIN

Housing Color: N - Natural

Housing Material: 1 - Aluminum

LED: 1- Red, 2 - Green, 3 - Yellow, 4 - Red/Green

Wire Colors Change with Electrical Spec Option



WIRE	FUNCTION
RED	} 24V AC/DC
RED	
BLUE	LED (-)
YELLOW	LED (+)
	} 5V DC

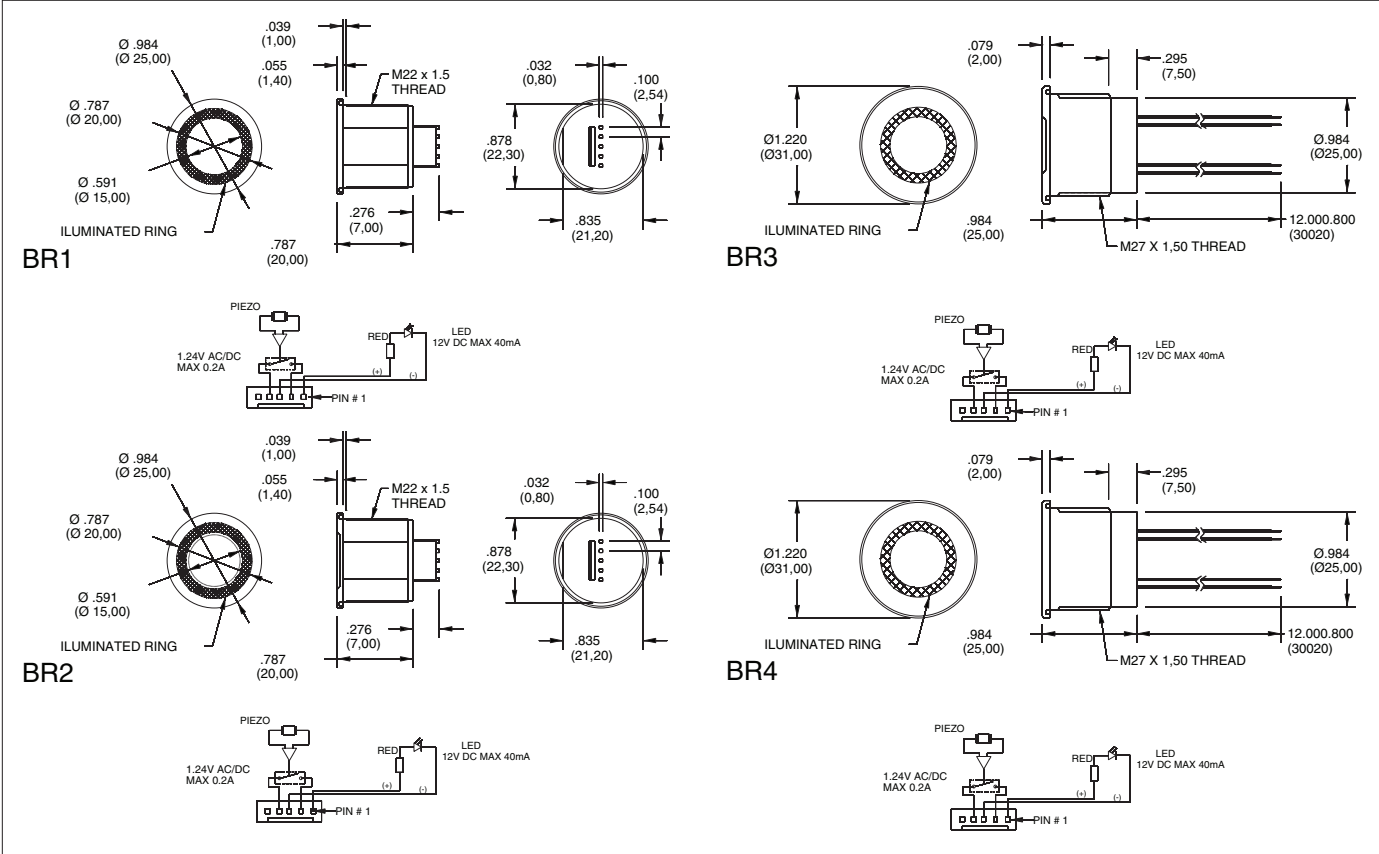
***LED Option**

**This Option Not Available with LED Housing ML1 or ML2

***Only Available with Housing Types ML1 and ML2.

Special colors, S.S. and legends available. Contact Grayhill for more information.

DIMENSIONS In inches (and millimeters)



Keyboards and Keypads

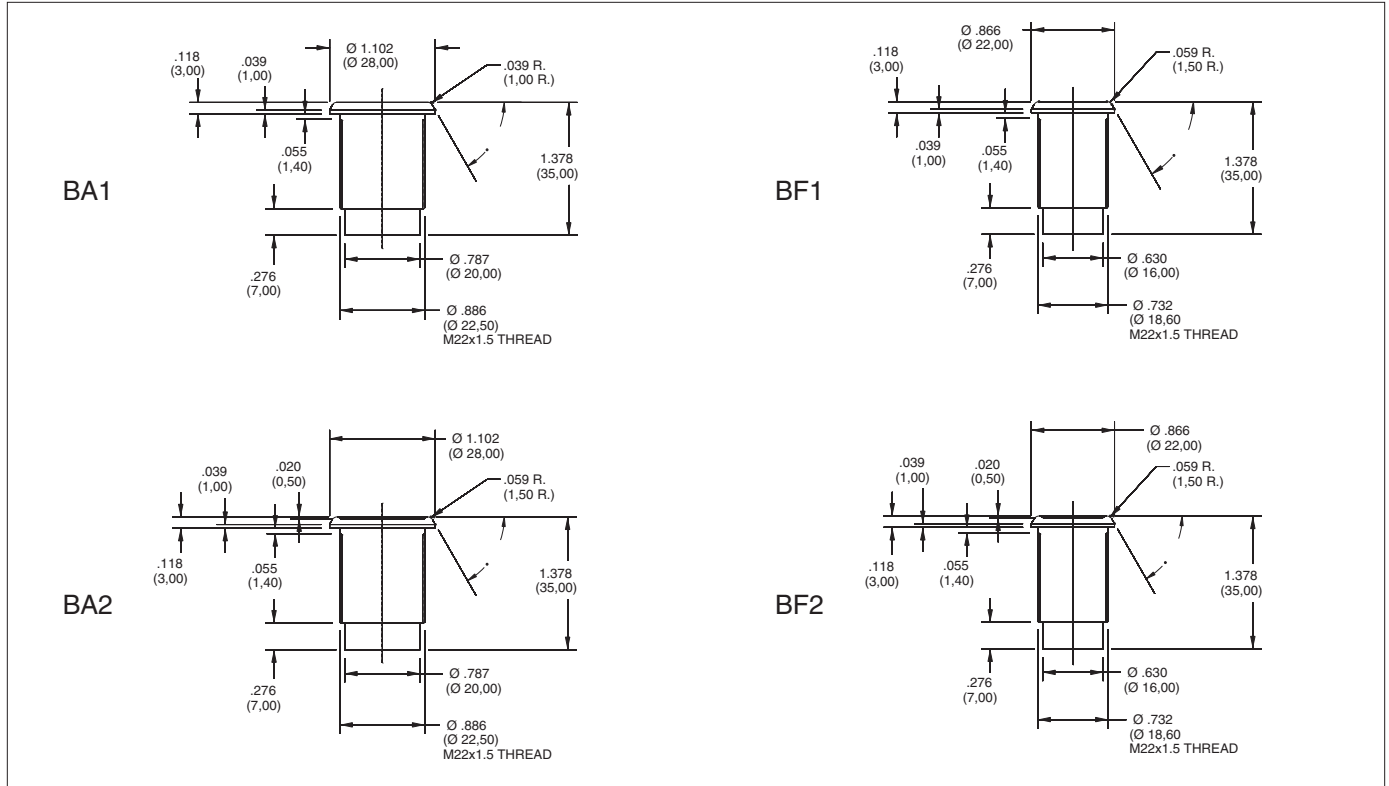
ORDERING INFORMATION, 37FBR

<p>37FBA1-CAAW1N</p>	<p>Grayhill Series Housing Type BA1, BA2 BF1, BF2 Switch Type C - Continuous, T - Toggle Circuitry A - N.O., B - N.C. Electrical Specification AW: 10-24V, .15A AC/DC, Wire: 1 - Black, 1 - Brown, 2 - Blue</p> <p>Housing Color: N - Natural Housing Material: 1 - Aluminum</p>	<p>Special colors, S.S. and legends available. Contact Grayhill for more information.</p>
----------------------	--	---

Available from your local Grayhill Component Distributor. For prices and discounts, contact a local Sales Office, an authorized local Distributor or Grayhill.

Special configurations and legends available. Contact Grayhill for more information.

DIMENSIONS In inches (and millimeters)



SPECIFICATIONS

Rated Voltage: 0-24V AC/DC

Rate Current: 0-24 amps.

Resistance "ON": <10 Ohms

Resistance "OFF": >5 megohms

Switch Capacitance: 25pF

Activation Force: 3-5N Typ.

Switch Action:

Momentary: 120 Msec. Pulse type

Continuous: Circuit is closed as long as switch is pressed, 30 sec. max.

Toggle: Switch changes position at each activation.

Lifecycle: >50 million

Operating Temp: -40°C- 85°C standard. (-40°C- 125°C upon request)

Storage Temp: -40°C- 125°C

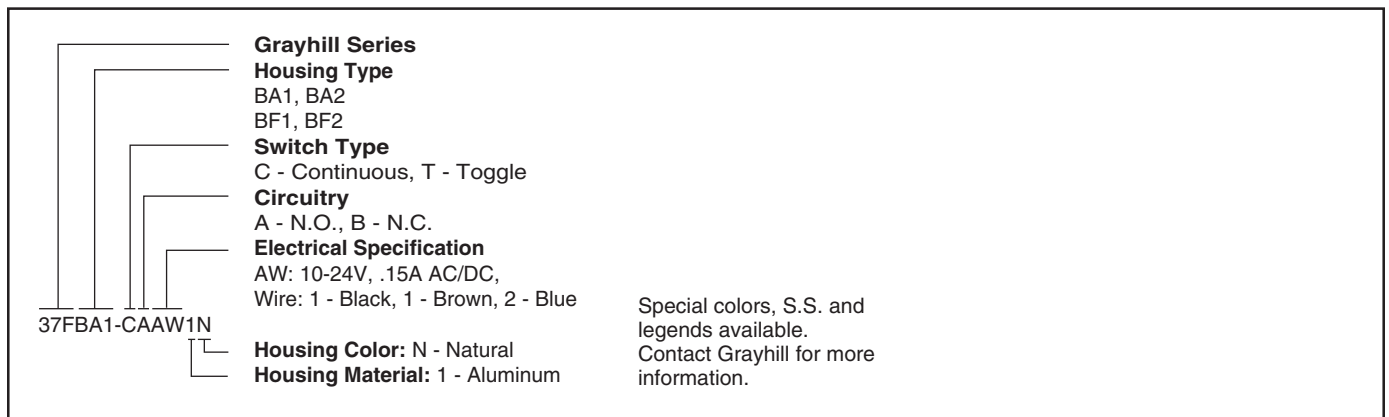
EMI or RFI Effect: None

Protection System: IP68 according to IEC529

LED: 5Vdc, 1 max, 10 mA

Housing Material: Aluminum

ORDERING INFORMATION, 37FBR



Available from your local Grayhill Component Distributor. For prices and discounts, contact a local Sales Office, an authorized local Distributor or Grayhill.