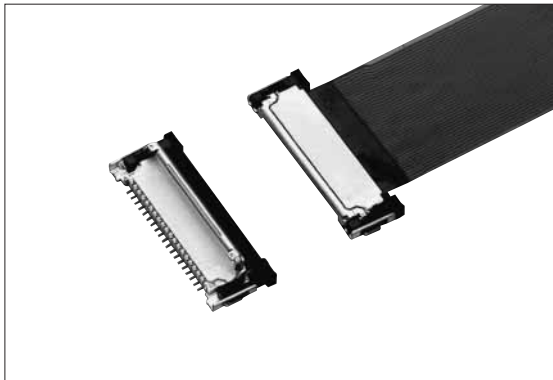


FPC Connector

EC-03 Series 0.3mm Spacing, Easy Flip Lock Type (SMT)



Features

1. High level operability using our exclusive easy flip lock system where rotation of the lever slides and locks the cover.
2. Enhanced reliability in contact provided by a contact structure comprising a slider mechanism which is less sensitive to bending.
3. Convenient top contact design.
4. Only 1.3mm high when mounted.
5. Of the ZIF structure.
6. Delivery with levers thrown in the open position makes users' lever release operation unnecessary, a great contribution to improvement in productivity of assembly lines.

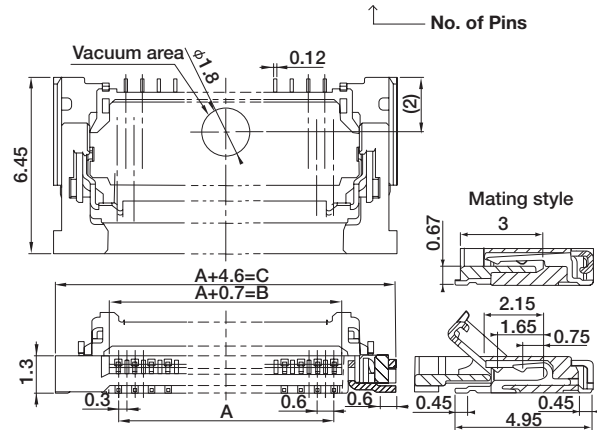
Specifications

1. Rating : 0.3A, 50V AC/DC
2. Contact Resistance : 30m Ω, max., initially
3. Insulation Resistance : 100M Ω, min at 100V DC
4. Withstanding Voltage : 100V AC for one minute
5. Operating Temperature Range : -40°C to +85°C

Material and Plating

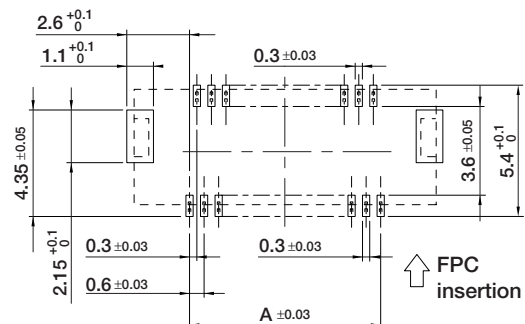
- Housing : Liquid Crystal Polymer (LCP), Natural Color, 94V-0
- Cover : Polyphenylene Sulfide (PPS), Black Color, 94V-0
- Lever : Steel Use Stainless (SUS)
- Contact : Cu Alloy, Au Plating
- Hold down : Phosphor Bronze

Upper Contact Type CFP77□□-0150F

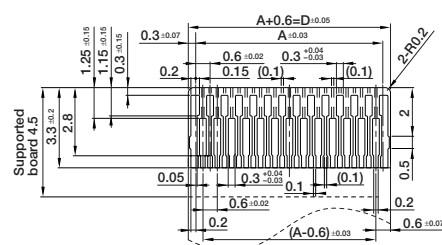


□□ No. of Pins	A	B	C	D
17	4.8	5.5	9.4	5.4
33	9.6	10.3	14.2	10.2
39	11.4	12.1	16.0	12.0
45	13.2	13.9	17.8	13.8

P.C. Board Dimension



Applicable FPC Dimension (t=0.2±0.03)



- FPC plating to recommend : Au plating