

REFERENCE SPECIFICATIONS

-NFC 93425 (in compliance with HE 508)

PHYSICAL CHARACTERISTICS

- INSULATOR MATERIAL: THERMOSET UL94V0
- CONTACT MATERIAL: BRASS  
GOLD OVER NICKEL
- ACCESSORIES: BRASS  
Cadmium plated, yellow passivation
- SHELLS: STEEL  
Cadmium plated, yellow passivation

ELECTRICAL CHARACTERISTICS

- NOMINAL CURRENT: 7.5A
- CONTACT RESISTANCE: <= 7.3 m ohms
- CONTACT/CONTACT : >=1000 V
- CONTACT/GROUND : >=1200 V
- INSULATION RESISTANCE: >=5000 MOhms

ENVIRONMENTAL CHARACTERISTICS

- CLIMATIC CATEGORY: 55/155/56  
TEMPERATURE RANGE -55°C TO +155°C  
DAMP HEAT STEADY STATE 56 DAYS  
SALT SPRAY 48 HOURS

MECHANICAL CHARACTERISTICS

- RETENTION AGAINST TORQUE: - Threaded insert: 0.7 N.m minimum  
- Female screw : 0.5 N.m minimum

# DBML25P400N

Series

Shell size: **E A B C D**  
see sheet 2

Front accessory definition  
see sheet 2

- Blank** : without accessory
- F** : floating mounting
- L** : threaded insert M3
- O** : threaded insert UNC 4-40
- V** : female screw UNC 4-40

Obligatory for HE508

Contact number (see sheet 2)  
**9,15,25,37,50**

Contacts

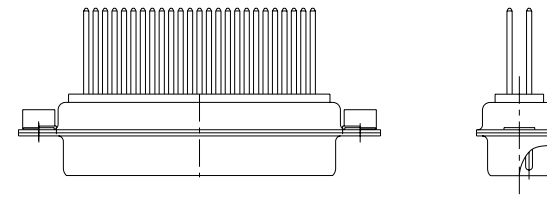
- P** : Pin

Termination type

- 4** 3 level wire wrap contact

Plating

- 00** : 500 matings/unmatings
- 43** : 500 matings/unmatings for harsh environment



25 WAY for Example

rev	ecn no	dr	date
A	LS06-0174	MPE	2006/11/14
B	LS07-0273	MPE	2007/10/30
-	-	-	-
-	-	-	-
-	-	-	-
-	-	-	-

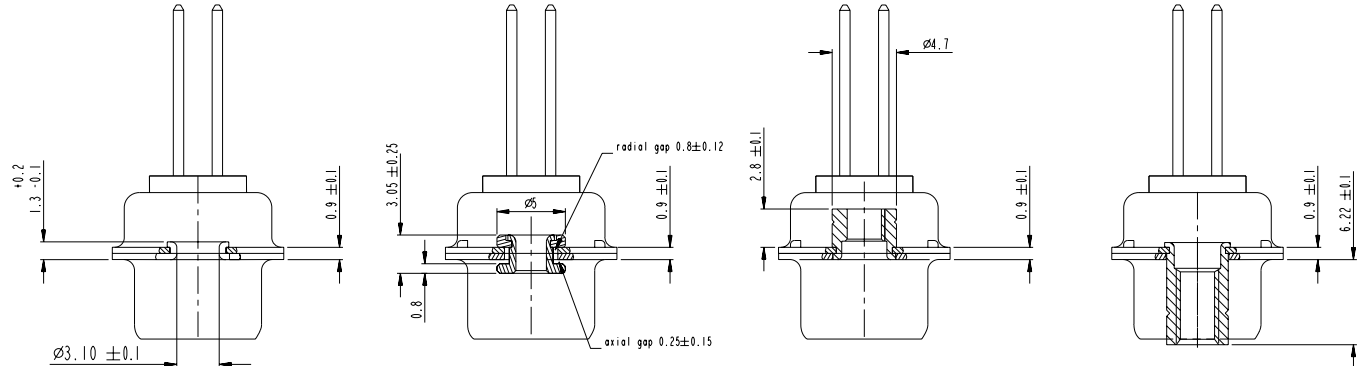
www.fciconnect.com		surface	ISO 1302	tolerance std	ISO 406	ISO 1101	projection	mm
		TOLERANCES UNLESS OTHERWISE SPECIFIED			0.X	±0.3	size	Scale
		ANGULAR	LINEAR	0.XX	±0.1	A2	2:1	
		0° ±2°		0.XXX	±0.05	ECN	LS07-0273	
		Product family		-		Spec.ref		
FCJ		SUB MALE DM HE508 series		drg no		C01-8637-1743		
		with 3 level wire wrap contact				Rev. B		
catalog no				CUSTOMER		sheet 1 of 4		

1 2 3 4 5 6 7 8

A

B

C



FRONT ACCESSORY	<b>Blank</b> without	<b>F</b> floating mounting	<b>L</b> insert M3 <b>O</b> insert UNC 4.40	<b>V</b> female screw UNC 4.40
-----------------	----------------------	----------------------------	--	--------------------------------

PART NUMBER	FRONT ACCESSORY
D*MxxP443N	without
D*MFxxP443N	floating mounting
D*MLxxP443N	insert M3
D*MOxxP443N	insert UNC 4.40
D*MVxxP443N	female screw UNC 4.40

shell size	Contact number
#	XX
E	09
A	15
B	25
C	37
D	50

PART NUMBER	FRONT ACCESSORY
D*MxxP400N	without
D*MFxxP400N	floating mounting
D*MLxxP400N	insert M3
D*MOxxP400N	insert UNC 4.40
D*MVxxP400N	female screw UNC 4.40

CROSS REFERENCES HE508 and FCI

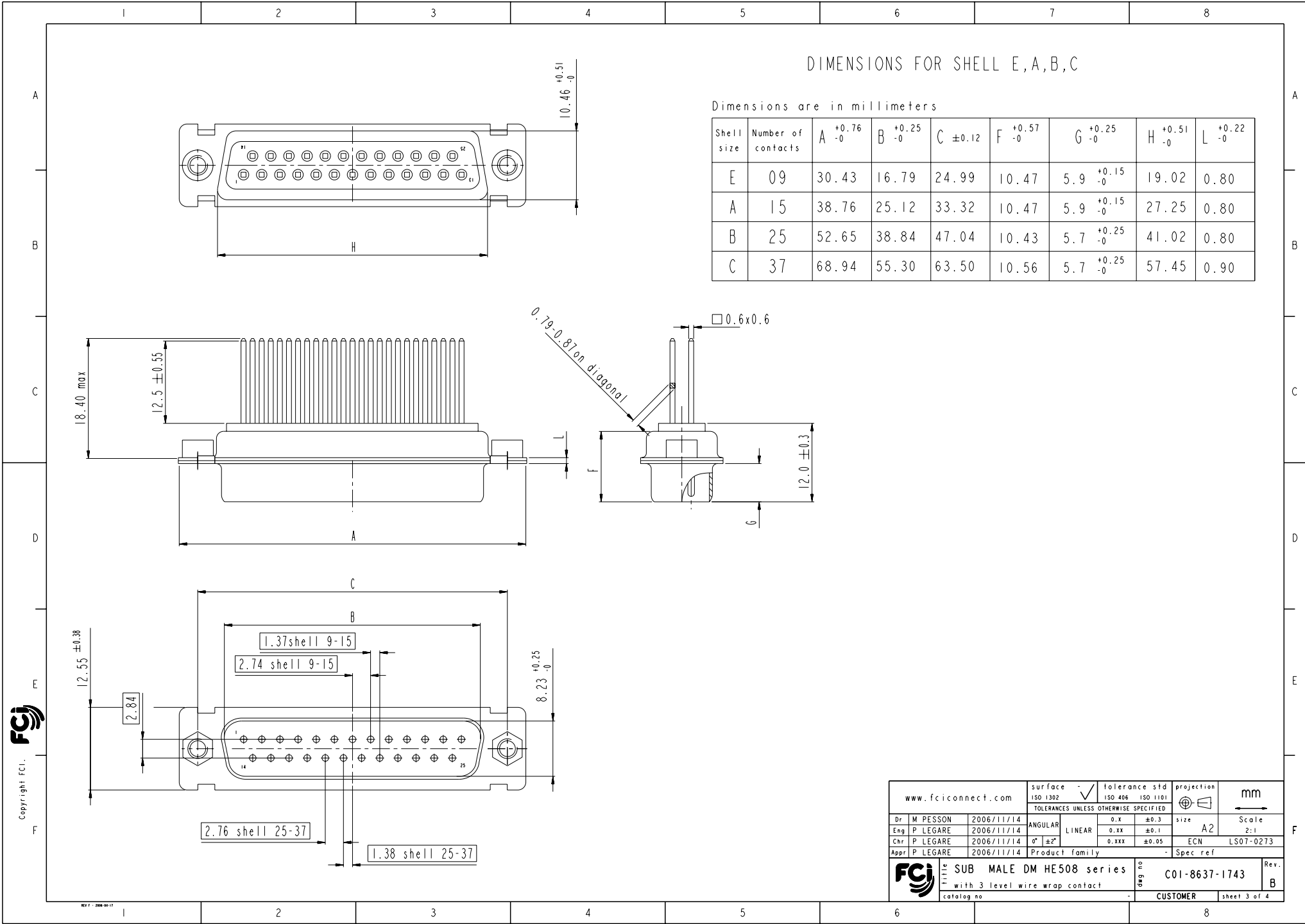
HE508 P/N	FCI P/N	FRONT ACCESSORY
HE508NxxKP3	D*MxxP400N	without
HE508FxxKP3	D*MFxxP400N	floating mounting

Copyright FCI, FCI

F

SCALE: 4

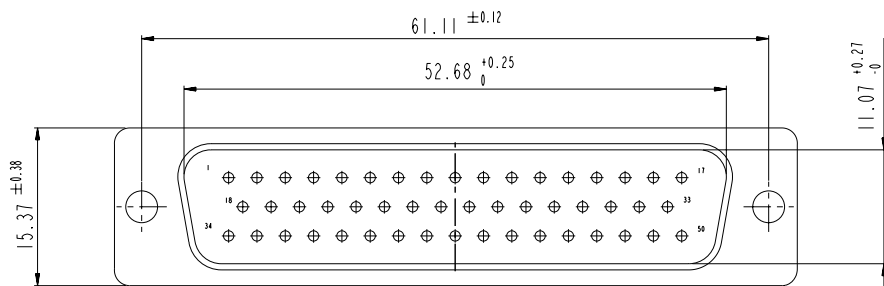
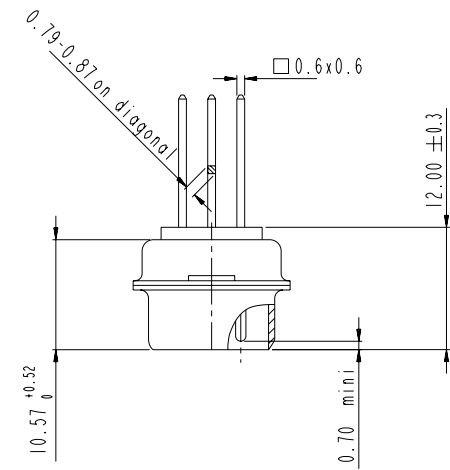
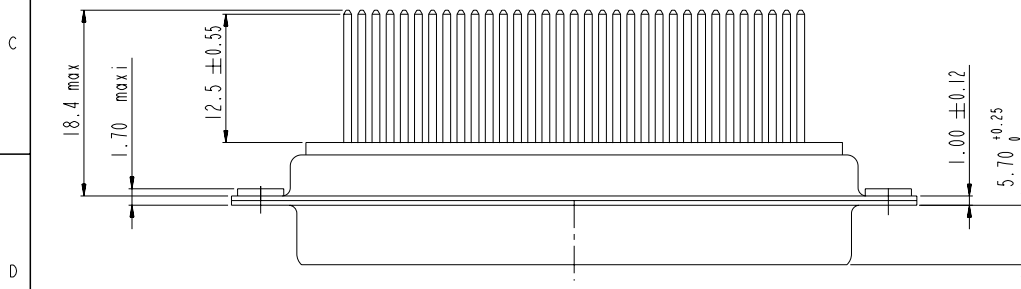
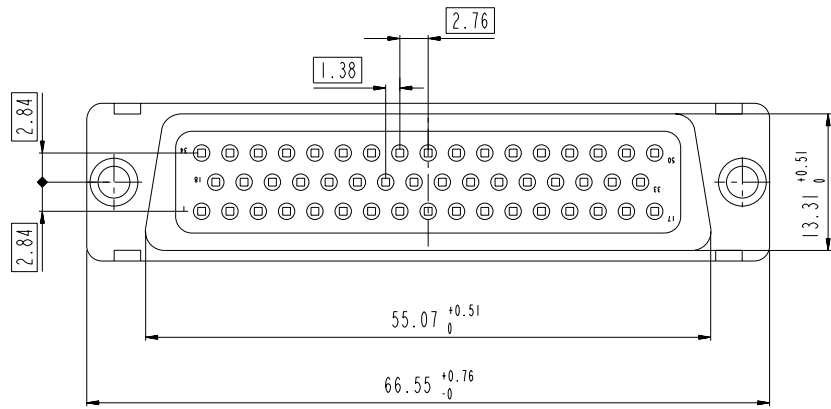
www.fciconnect.com		surface ISO 1302	tolerance std ISO 406 ISO 1101	projection mm
		TOLERANCES UNLESS OTHERWISE SPECIFIED		
Dr	M PESSON	2006/11/14	ANGULAR	size A2
Eng	P LEGARE	2006/11/14	LINEAR	Scale 2:1
Chr	P LEGARE	2006/11/14	0° ±2'	ECN LS07-0273
Appr	P LEGARE	2006/11/14	Product family	Spec ref
FCI		SUB MALE DM HE508 series		Rev. B
		with 3 level wire wrap contact		ang no C01-8637-1743
		catalog no		CUSTOMER sheet 2 of 4



Copyright FCJ

www.fciconnect.com		surface ISO 1302	tolerance std ISO 406 ISO 1101	projection mm
		TOLERANCES UNLESS OTHERWISE SPECIFIED		
Dr M PESSON	2006/11/14	ANGULAR	0.X ±0.3	size A2 Scale 2:1
Eng P LEGARE	2006/11/14	LINEAR	0.XX ±0.1	ECN LS07-0273
Chr P LEGARE	2006/11/14	0° ±2°	0.XXX ±0.05	Spec ref
Appr P LEGARE	2006/11/14	Product family		
FCJ SUB MALE DM HE508 series		cat no	C01-8637-1743	Rev. B
with 3 level wire wrap contact		CUSTOMER	sheet 3 of 4	

DIMENSIONS FOR SHELL SIZE D (50 CONTACTS)



Copyright FCI. **FCI**

www.fciconnect.com		surface ISO 1302	tolerance std ISO 406 ISO 1101	projection A2	mm
		TOLERANCES UNLESS OTHERWISE SPECIFIED			
Dr	M PESSON	2006/11/14	ANGULAR	0.X	$\pm 0.3$
Eng	P LEGARE	2006/11/14	LINEAR	0.XX	$\pm 0.1$
Chr	P LEGARE	2006/11/14	0° ±2°	0.XXX	$\pm 0.05$
Appr	P LEGARE	2006/11/14	Product family	- Spec ref	
<b>FCI</b>		SUB MALE DM HE508 series		dwg no	C01-8637-1743
		with 3 level wire wrap contact		Rev.	B
catalog no		CUSTOMER		sheet 4 of 4	