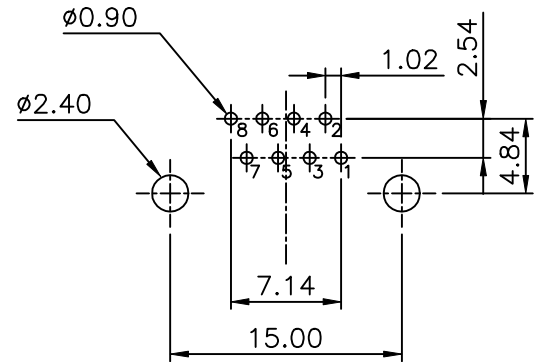
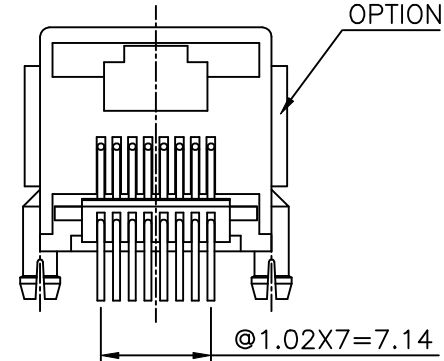
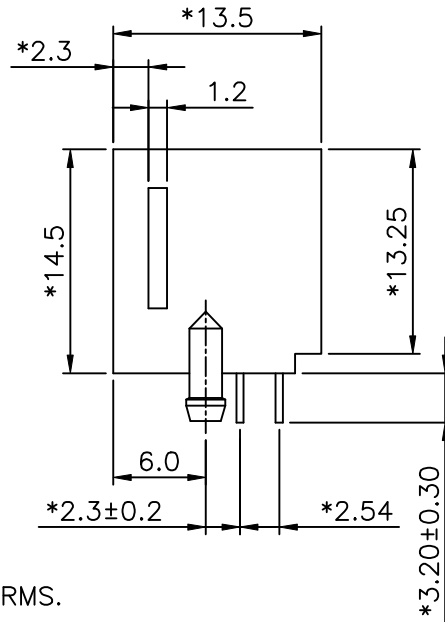
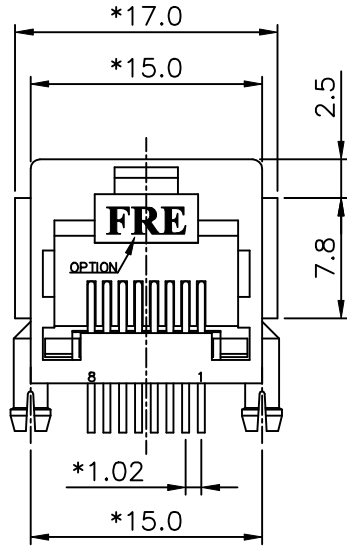


REVISION RECORD				
REV	ECO	DESCRIPTION	DRFT	CHKD
△		ADD P/N	JAMY 4/22/06	



PC Board Layout Component Side Shown

NOTES:

ELECTRICAL:

- VOLTAGE RATING : 125 VAC RMS.
- CURRENT RATING : 1.5 AMP.
- CONTACT RESISTANCE : 30 MILLIOHMS MAX.
- INSULATION RESISTANCE: 1000 MEGOHMS MIN @ 500 VDC.
- DIELECTRIC STRENGTH : 1000 VAC RMS 60Hz, 1MIN.

MECHANICAL:

- HOUSING AND INSERT MATERIAL: NYLON+30%GF (FR52) UL94V-0.
- CONTACT MATERIAL : PHOSPHOR BRONZE $\phi 0.46$ mm.
- PLATING : GOLD PLATING OVER NICKEL.
- OPERATING LIFE : 750 CYCLES MIN.
- PCB RETENTION PRE-SOLDER : 1 LB MIN.
- PCB RETENTION POST-SOLDER: 10 LBS MIN.

ENVIRONMENTAL:

- STORAGE : -40°C TO +85°C.
- OPERATION: : -40°C TO +85°C.
- WAVE SOLDERING TEMPERATURE: 255~265°(5~10 SECONDS).

MATES WITH MODULAR PLUG CONFORMING TO FCC PART 68, SUBPART F.

CUL FILE NO. E163191

PART NUMBER: E558X-20LXXX-L

NO. OF CONTACT:

- 2- 2C 4- 4C
- 6- 6C 8- 8C

- 1- 3u" 2- 6u"
- 3- 15u" 4- 30u"
- 5- 50u" 6- Pd 20u"

- U1-W/ PANEL STOP BK W/O LOGO
- U2-W/O PANEL STOP BK W/O LOGO
- △UP-W/O PANEL STOP GY W/FRE LOGO

← MM (INCH) →		DFTO QSJ	DATE 3/31/05*	FULL RISE ELECTRONIC CO., LTD	
TOLERANCES EXCEPT AS NOTED		CHKD YICAN	DATE 2006/4/22		
MM		MFO	DATE	TITLE	
.0 ± 0.2	±	APPV LUSHENG	DATE 2006/4/22	MINI L/P SIDE ENTRY PCB JACK 8P	
.00 ± 0.15	±	MATERIAL :		DRAWING NO. GE553003-LA	
.000 ± 0.075	±	ANGLES ± 0.5		/PART NO. SEE NOTE	
THIRD ANGLE PROJECTION		QTY :		SIZE A3	
		FINISH :		REV 1	
		SCALE : 3:1		DO NOT SCALE DRAWING	
		SHEET		OF	