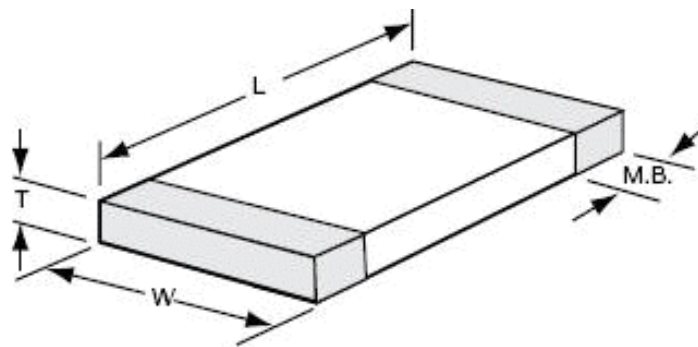


Low Inductance Capacitors

In high speed switching applications where the inductance of a traditional form factor impairs the performance of the circuit, Presidio recommends its low inductance capacitors. The inductance of this form factor is approximately one half of its counterpart. For example, the inductance of the 0508 is half that of the 0805.

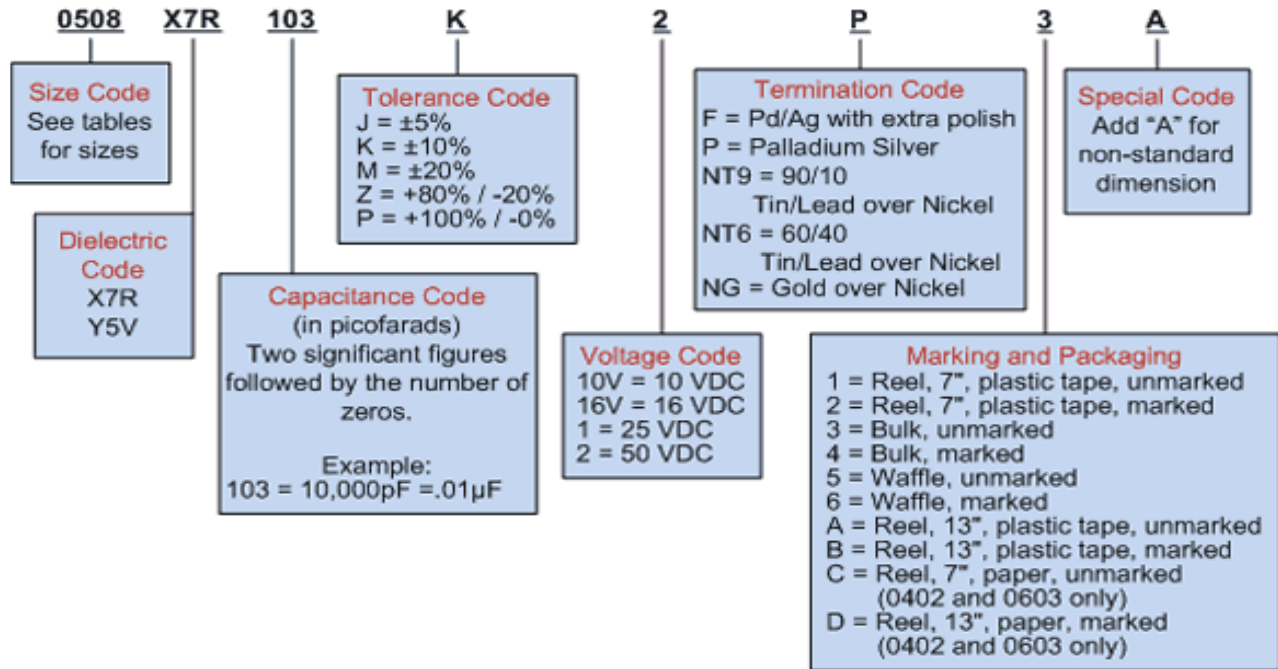
SIZE	L inches (mm)	W inches (mm)	THICKNESS MAX. (T) inches (mm)	METALIZATION BAND (M.B.) inches (mm)	WVDC	DIELECTRIC	
						X7R	Y5V
0306	0.032 (0.81) ± 0.008 (0.15)	0.063 (1.60) ± 0.008 (0.15)	0.024 (0.61)	0.005 (0.13) min.	10 V	0.10 µF	0.27 µF
					16 V	0.047 µF	0.15 µF
					25 V	0.039 µF	0.10 µF
					50 V	0.018 µF	0.047 µF
0508	0.050 (1.27) ± 0.010 (0.25)	0.080 (2.03) ± 0.010 (0.25)	0.030 (0.76)	0.005 (0.13) min.	10 V	0.22 µF	0.68 µF
					16 V	0.12 µF	0.33 µF
					25 V	0.10 µF	0.27 µF
					50 V	0.047 µF	0.12 µF
0508	0.050 (1.27) ± 0.010 (0.25)	0.080 (2.03) ± 0.010 (0.25)	0.040 (1.02)	0.005 (0.13) min.	10 V	0.27 µF	0.82 µF
					16 V	0.18 µF	0.56 µF
					25 V	0.15 µF	0.39 µF
					50 V	0.068 µF	0.18 µF
0612	0.063 (1.60) ± 0.010 (0.25)	0.126 (3.20) ± 0.010 (0.25)	0.030 (0.76)	0.005 (0.13) min.	10 V	0.47 µF	1.2 µF
					16 V	0.22 µF	0.56 µF
					25 V	0.18 µF	0.47 µF
					50 V	0.082 µF	0.22 µF
0612	0.063 (1.60) ± 0.010 (0.25)	0.126 (3.20) ± 0.010 (0.25)	0.040 (1.02)	0.005 (0.13) min.	10 V	0.56 µF	1.5 µF
					16 V	0.33 µF	1.0 µF
					25 V	0.27 µF	0.68 µF
					50 V	0.12 µF	0.33 µF
1725	0.175 (4.45) ± 0.010 (0.25)	0.250 (6.35) ± 0.010 (0.25)	0.080 (2.03)	0.010 (0.25) min.	10 V	4.7 µF	12.0 µF
					16 V	3.3 µF	10.0 µF
					25 V	2.7 µF	8.2 µF
					50 V	2.2 µF	5.6 µF

Dimensions



Low Inductance Capacitors

How To Order



Consult factory for other voltages, capacitance options and parts outside a given range.

The above example is of Presidio's Manufacturing part number.

If a shorter part number is desired, use our conversion tool to create our Global part number.



PRESIDIO COMPONENTS, INC.

7169 Construction Court, San Diego, CA 92121 USA • Tel: 858-578-9390 • Fax: 800-538-3880 or 858-578-6225
Web: www.presidiocomponents.com • Email: info@presidiocomponents.com