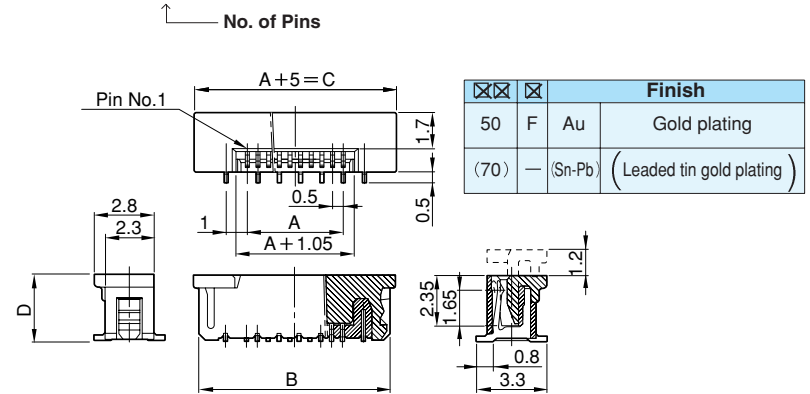


FPC Connector

FP-5V Series 0.5mm Spacing (SMT) Vertical



● CFP56□□-01□□□



■ Features

- As low as only 3.1mm (5~36P) and 3.5mm (37~40P) above the mounting plane.
- Supply in embossed tape for automatic mounting, with a sucking space provided.
- False FPC holding mechanism provided for ease in operation.
- A lead-free product < * () excepted >.

■ Specifications

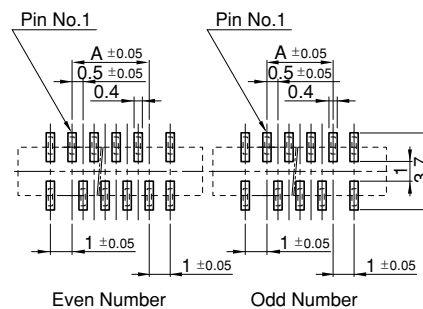
- Rating : 0.3A, 50V AC/DC
- Contact Resistance : 30mΩ, max.
- Insulation Resistance : 100MΩ, min. at 100V DC
- Withstanding Voltage : 100V AC for one minute
- Operating Temperature Range : -40°C to +85°C

■ Material and Plating

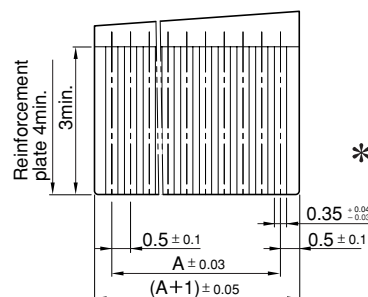
- Housing : Polyamide 6T (PA6T), Natural Color
- Cover : Polyphenylene Sulfide (PPS), Black
- Contact : Phosphor Bronze

□□	A	B	C	D	□□	A	B	C	D
No. of Pins					No. of Pins				
05	2.0	6.5	7.0	3.1	23	11.0	15.5	16.0	3.1
06	2.5	7.0	7.5		24	11.5	16.0	16.5	
07	3.0	7.5	8.0		25	12.0	16.5	17.0	
08	3.5	8.0	8.5		26	12.5	17.0	17.5	
09	4.0	8.5	9.0		27	13.0	17.5	18.0	
10	4.5	9.0	9.5		28	13.5	18.0	18.5	
11	5.0	9.5	10.0		29	14.0	18.5	19.0	
12	5.5	10.0	10.5		30	14.5	19.0	19.5	
13	6.0	10.5	11.0		31	15.0	19.5	20.0	
14	6.5	11.0	11.5		32	15.5	20.0	20.5	
15	7.0	11.5	12.0		33	16.0	20.5	21.0	
16	7.5	12.0	12.5		34	16.5	21.0	21.5	
17	8.0	12.5	13.0		35	17.0	21.5	22.0	
18	8.5	13.0	13.5		36	17.5	22.0	22.5	
19	9.0	13.5	14.0		37	18.0	22.5	23.0	
20	9.5	14.0	14.5		38	18.5	23.0	23.5	
21	10.0	14.5	15.0	39	19.0	23.5	24.0		
22	10.5	15.0	15.5	40	19.5	24.0	24.5		

■ P.C. Board Dimension



■ Applicable FPC Dimension ($t = 0.3 \pm 0.05$)



- * (
- FPC plating (Sn-Pb) to recommend
 - Finish Sn : Pb = 9 : 1
 - Thickness 1~5μm
-)