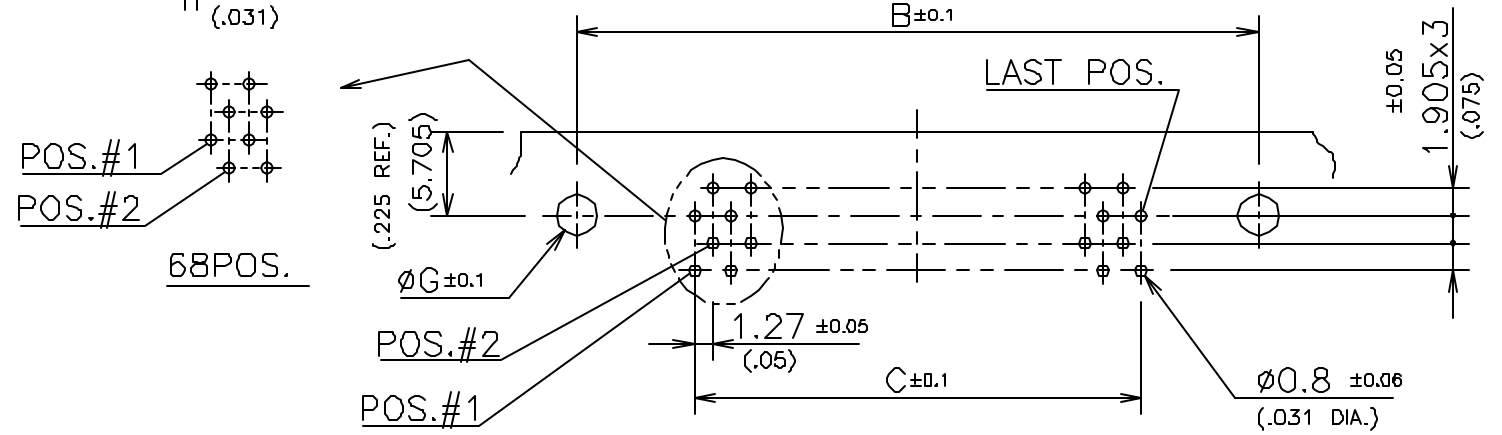
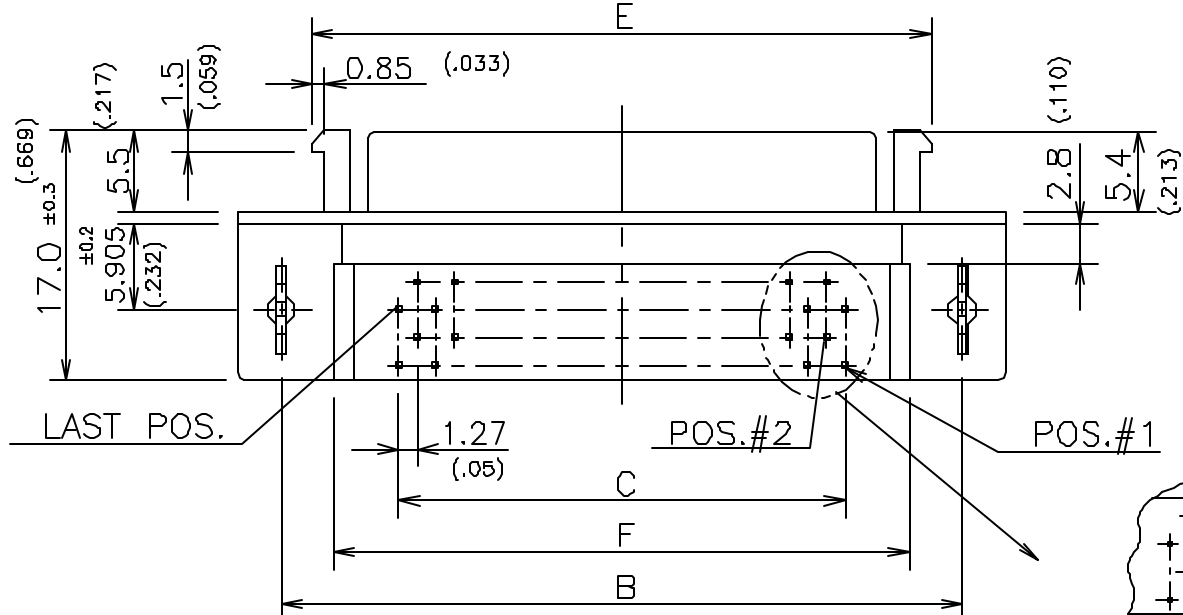
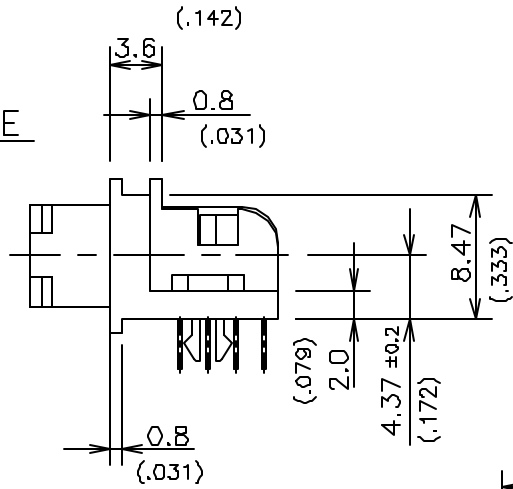
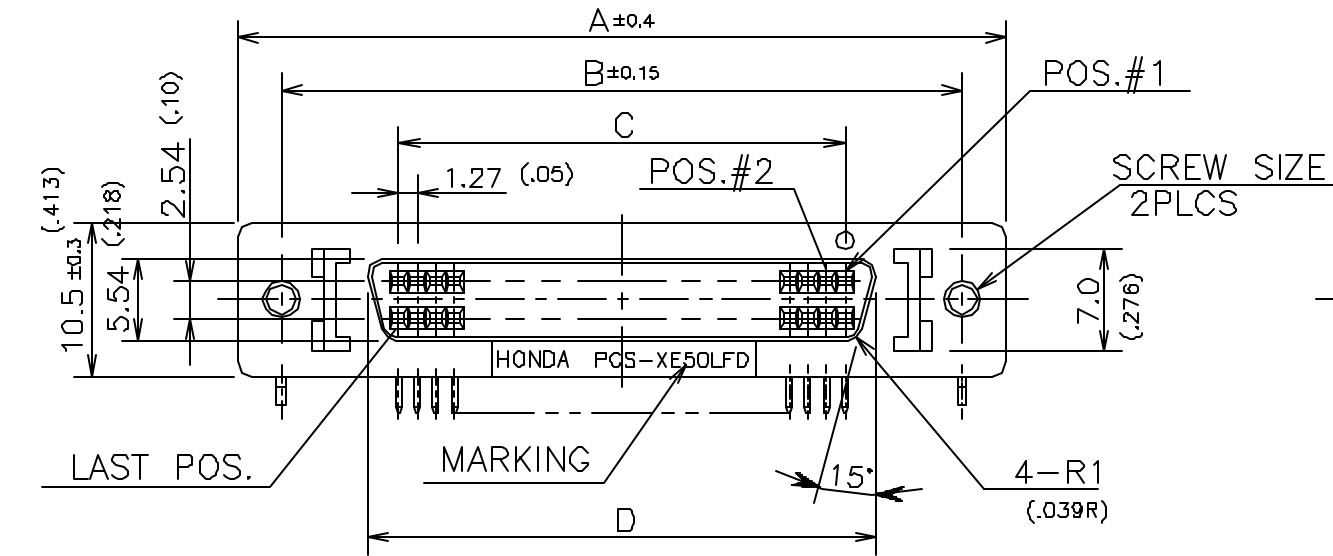
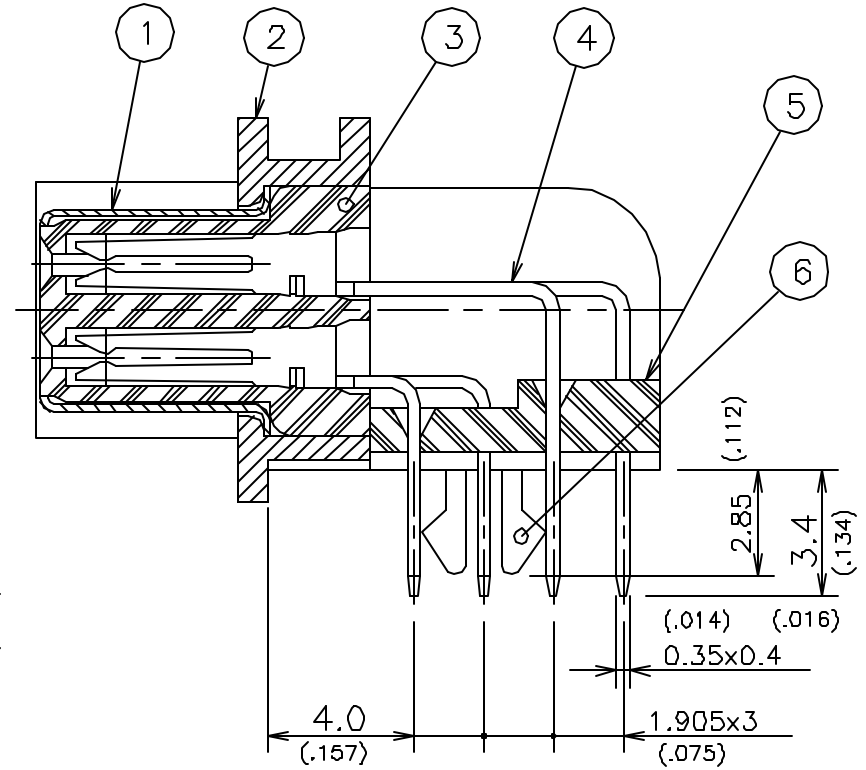


NOTE 1. CONTACT FINISH
GOLD(0.20μm MIN.) ON
MATING AREA, TIN/LEAD ON
TERMINATION AREA, ALL OVER
NICKEL UNDERPLATED.



P.C. BOARD MOUNTING DIMENSIONS
CONNECTOR SIDE

P.C. BOARD THICKNESS: 1.6 ±0.1 mm (.063)

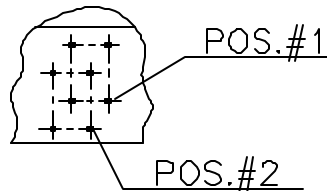


NO.	PART NAME	MATERIAL	QTY	FINISH	NOTE
6	BOARD LOCK	PHOSPHOR BRONZE	2	TIN/LEAD PLATING	
5	BRACKET	PBT(GF)	1		UL94V-0 BLACK
4	CONTACT	PHOSPHOR BRONZE	No. OF POS.	NOTE#1	
3	INSULATOR	PBT(GF)	1		UL94V-0 BLACK
2	SHELL A	STEEL	1	Ni PLATING	
1	SHELL B	ZINC ALLOY	1	Ni PLATING	

PCS-XE()LFDT5	M2.5x0.45	Ø3.05 (.120 DIA.)
PCS-XE()LFDTU4	#4-40UNC	Ø3.18 (.125 DIA.)
PCS-XE()LFDTU3	#2-56UNC	Ø3.05 (.120 DIA.)
PART No.	SCREW SIZE	ØG

PART No. PCS-XE50LFDTU3

No. OF POS. SCREW SIZE & BOARD LOCK SIZE



PART No.	No. OF POS.	A	B	C	D	E	F	MARKING
PCS-XE68LFDT()	68	63.9 (2.516)	57.9 (2.280)	1.27x(34-1)=41.91 (1.65)	46.13 (1.816)	53.72 (2.115)	50.71 (1.996)	PCS-XE68LFDT
PCS-XE50LFDT()	50	52.5 (2.067)	46.5 (1.831)	1.27x(25-1)=30.48 (1.20)	34.70 (1.366)	42.29 (1.665)	39.28 (1.546)	PCS-XE50LFDT

LTR.	DATE	BY	REV.	DESCRPT	NO.	PART NAME	MATERIAL	QTY	FINISH	NOTE	
	JULY 14 (1994)										
DATE						SCALE	UNIT	3RD . A . P HONDA TSUSHIN KOGYO., LTD.			
DR.						IE.	CHK.	CHK.	APR	NAME	PCS-XE TYPE FEMALE CONNECTOR WITH BOARD LOCK
PART No.						PCS-XE()LFD TU4 TU3					