

RESISTIVE POWER DIVIDERS

MODEL NUMBER	CONFIGURATION	INSERTION LOSS (dB, Max.)	VSWR (Max.)	OUTLINE
TYPE SMA				
RPD-2-S	2-way	6 ±0.5	1.25:1	1
RPD-3-S	3-way	9 ±0.5	1.25:1	2
RPD-4-S	4-way	12 ±0.5	1.25:1	3
RPD-5-S	5-way	14 ±0.5	1.25:1	3
RPD-6-S	6-way	16 ±0.5	1.25:1	3
RPD-7-S	7-way	17 ±0.6	1.25:1	3
RPD-8-S	8-way	18 ±0.6	1.3:1	3
RPD-9-S	9-way	19 ±0.7	1.3:1	3
RPD-10-S	10-way	20 ±0.75	1.35:1	3
RPD-11-S	11-way	21 ±0.75	1.35:1	3
RPD-12-S	12-way	22 ±0.75	1.35:1	3
TYPE N				
RPD-2-N	2-way	6 ±0.5	1.25:1	4
RPD-3-N	3-way	9.5 ±0.5	1.25:1	5
RPD-4-N	4-way	12 ± 0.5	1.25:1	6
RPD-5-N	5-way	14 ±0.5	1.25:1	6
RPD-6-N	6-way	16 ±0.5	1.25:1	6
RPD-7-N	7-way	17 ±0.6	1.25:1	6
RPD-8-N	8-way	18 ±0.6	1.3:1	6
RPD-9-N	9-way	19 ±0.7	1.3:1	6
RPD-10-N	10-way	20 ±0.75	1.35:1	6
RPD-11-N	11-way	21 ±0.75	1.35:1	6
RPD-12-N	12-way	22 ±0.75	1.35:1	6

See outline drawings on pages 65 and 66.

SPECIFICATIONS

Frequency range.....	DC – 4 GHz (other frequencies available)
Nominal impedance	50 ohm
Maximum input power.....	1 watt CW
Insertion loss	Defined between input port an any output port
Amplitude tracking	< 0.2 dB
Phase tracking	< 4°C

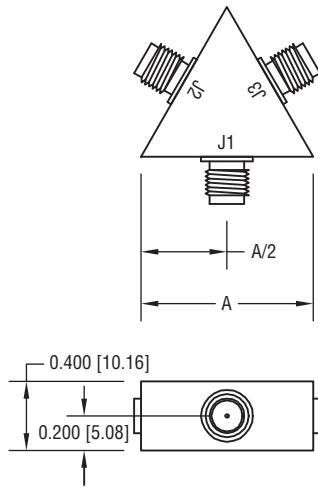
ENVIRONMENTAL CONDITIONS

Operating temperature.....	-55 to +85°C
Storage temperature.....	-65 to +100°C
Humidity	95% relative humidity, noncondensing
Vibration.....	7 g's rms, 50–5000 CPS per MIL-STD-810B, Method 514, Procedure 5

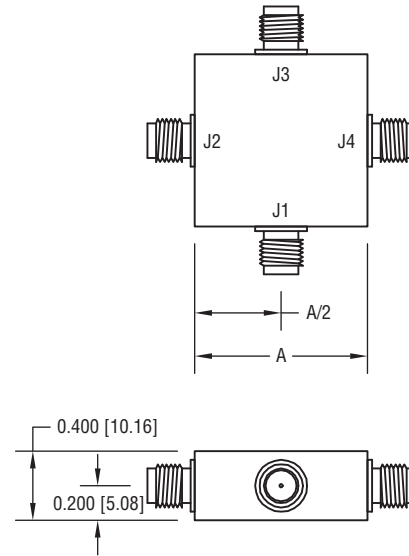
NOTE: Contact factory for other connector options.

RESISTIVE POWER DIVIDERS OUTLINE DRAWINGS - TYPE SMA

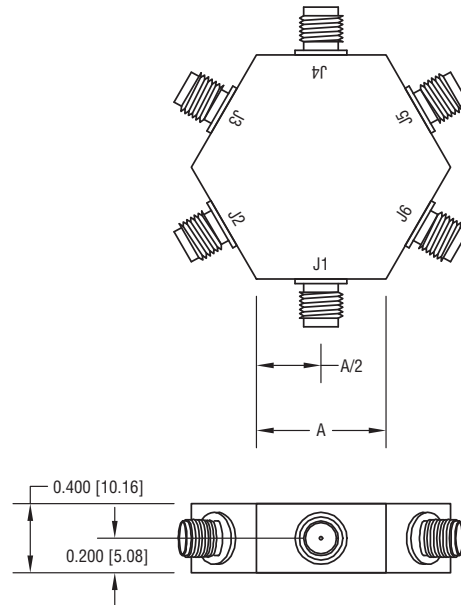
2-WAY



3-WAY



N-WAY



OUTLINE NUMBER

NUMBER OF SPLITS

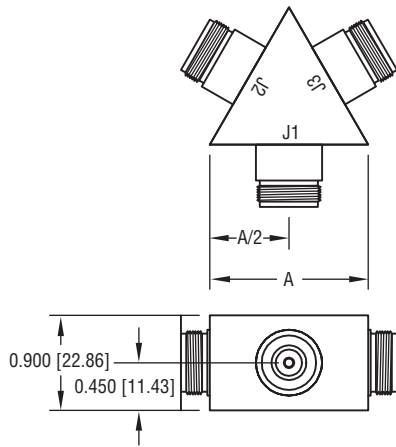
DIMENSION "A"

1	2	1.00 [25.40]
2	3	1.00 [25.40]
3	4	1.00 [25.40]
3	5	0.75 [19.05]
3	6	0.75 [19.05]
3	7	0.75 [19.05]
3	8	0.75 [19.05]
3	9	0.50 [12.70]
3	10	0.50 [12.70]
3	11	0.50 [12.70]
3	12	0.50 [12.70]

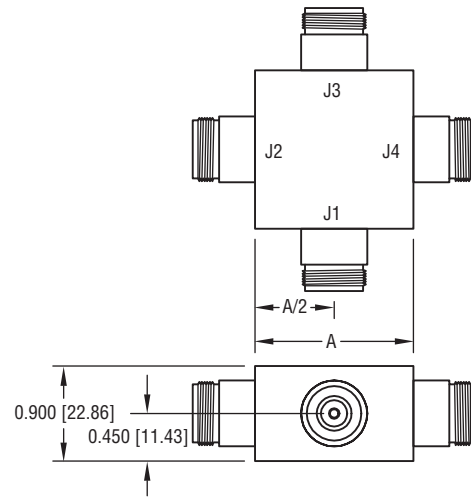
NOTE: DIMENSIONS SHOWN IN BRACKETS [] ARE IN MILLIMETERS.

RESISTIVE POWER DIVIDERS OUTLINE DRAWINGS - TYPE N

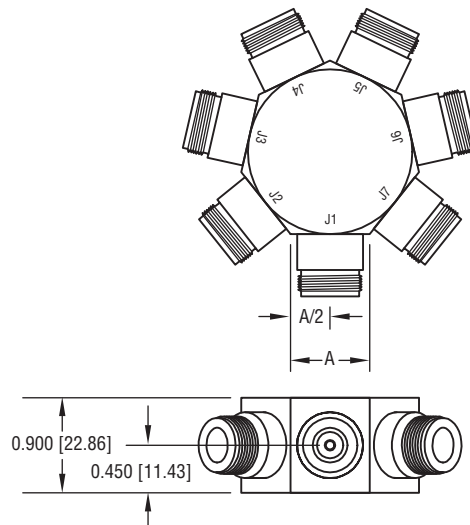
2-WAY



3-WAY



N-WAY



OUTLINE NUMBER

NUMBER OF SPLITS

DIMENSION "A"

4	2	1.50 [38.10]
5	3	1.50 [38.10]
6	4	1.00 [25.40]
6	5	1.00 [25.40]
6	6	0.75 [19.05]
6	7	0.75 [19.05]
6	8	0.75 [19.05]
6	9	0.75 [19.05]
6	10	0.75 [19.05]
6	11	0.75 [19.05]
6	12	0.75 [19.05]

NOTE: DIMENSIONS SHOWN IN BRACKETS [] ARE IN MILLIMETERS.

