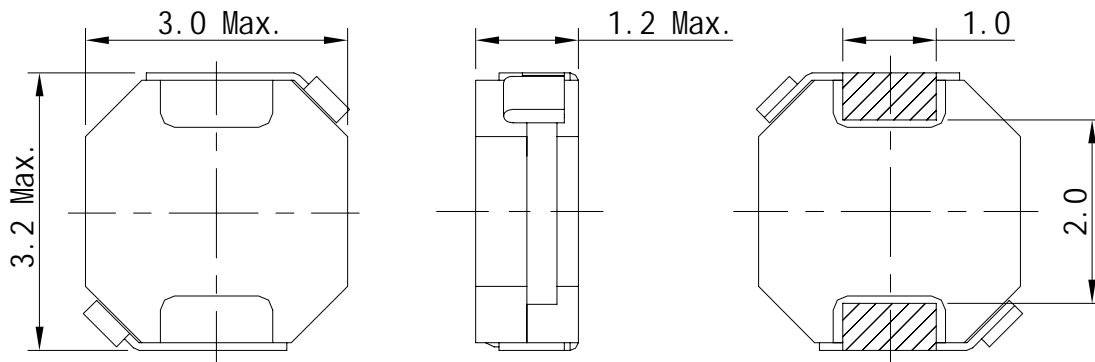
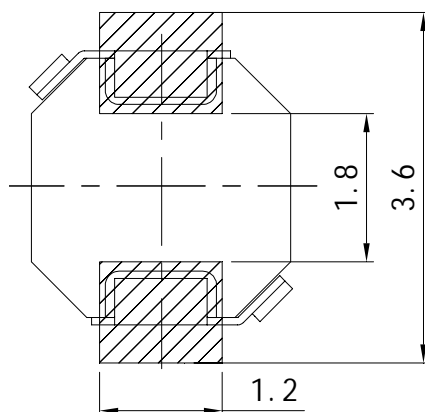
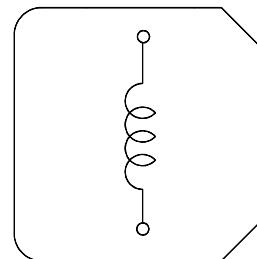


Type: CDPH28D11F
UNDER DEVELOPMENT
Product Description

- 3.2 × 3.0mm Max.(L × W), 1.2mm Max. Height.
- Inductance Range: 0.56 ~ 12 μ H.
- Rated current range: 0.59 ~ 2.45A.
- In addition to the standards versions shown here, custom inductors are also available to meet your exact requirements.


Feature

- Magnetically shielded construction.
- Ideally used as DC-DC Converter inductors in Mobile phone, PDA, MP3/MP4, DSC/DVC, etc.
- RoHS Compliance.

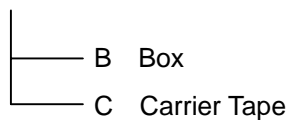
Dimensions (mm)

Land Pattern (mm)

CONNECTION (BOTTOM VIEW)


Type: CDPH28D11F
Specification

Part Name	Stamp	Inductance (μ H) 100kHz/1V	D.C.R.(m Ω) Max.(Typ.) (20 $^{\circ}$ C)	Saturation Current Max.(Typ.) (A) 1	Temperature rise current Max.(Typ.) (A) 2
CDPH28D11FNP-0R56N	A	0.56 \pm 30%	31(26)	2.45(3.27)	2.62(3.00)
CDPH28D11FNP-1R2M	B	1.2 \pm 20%	62(52)	1.78(2.37)	1.83(2.08)
CDPH28D11FNP-1R5M	C	1.5 \pm 20%	73 (61)	1.59(2.12)	1.74(1.98)
CDPH28D11FNP-2R2M	D	2.2 \pm 20%	84 (70)	1.31(1.75)	1.72(1.94)
CDPH28D11FNP-2R7M	E	2.7 \pm 20%	94 (78)	1.22(1.63)	1.49(1.69)
CDPH28D11FNP-3R3M	F	3.3 \pm 20%	108 (90)	1.14(1.52)	1.42(1.58)
CDPH28D11FNP-3R9M	G	3.9 \pm 20%	118 (98)	1.03(1.37)	1.34(1.53)
CDPH28D11FNP-4R7M	H	4.7 \pm 20%	156 (130)	0.95(1.27)	1.18(1.32)
CDPH28D11FNP-6R8M	I	6.8 \pm 20%	257 (214)	0.83(1.10)	0.89(1.00)
CDPH28D11FNP-100M	J	10.0 \pm 20%	376 (313)	0.65(0.87)	0.76(0.86)
CDPH28D11FNP-120M	K	12.0 \pm 20%	396 (330)	0.59(0.79)	0.73(0.83)

Description of part name

CDPH28D11NP-1R5N



- 1.Saturation Current: The DC current at which the inductance decreases to 70% of it's nominal value .
(Ta = 20 $^{\circ}$ C)
- 2.Temperature rise current: The DC current at which the temperature rise is $t = 40$.(Ta = 20 $^{\circ}$ C)

THIS SPEC IS NOT THE FINAL REVISION, AND SOME PARTS MAY BE CHANGED BEFORE PRODUCTION.