

CFPP-600, 601

ISSUE 1; 15 OCTOBER 2004

Delivery Options

- 48 hour fast make service available. Please contact our sales office for details

Description

- The CFPP-600, -601 is a surface mount oscillator with complimentary PECL outputs

Frequency Range

- 1.0 to 133.0MHz

Output Levels

- PECL or LVPECL
- Output Load 50Ω terminated to Vs -2.0V

Standard Frequency Stabilities

- ±50ppm, ±100ppm

Supply Voltages

- CFPP-600 5.0V, CFPP-601 3.3V

Operating Temperature Ranges

- 0 to 70°C (CFPP-600, -601)
- 40 to 85°C (CFPP-600I, -601I)

Storage Temperature Range

- 55 to 125°C

Tri-state Operation (CMOS Levels)

- Logic '1' to pad 1 enables oscillator output
- Logic '0' to pad 1 disables oscillator output; when disabled the oscillator output goes to the high impedance state
- No connection to pad 1 enables oscillator output

Ageing

- ±5ppm typical in 1st year @ 25°C, Vs = 3.3V

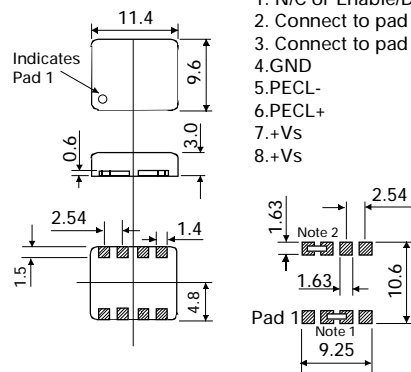
Marking

- Frequency + Model Number

Minimum Order Information Required

- Frequency + Model Number + Operating Temperature Code (if applicable) + Frequency Stability

Outline in mm



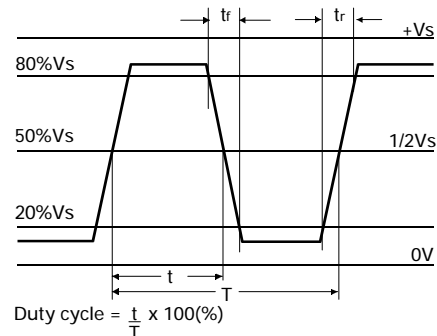
Pad Connections

- N/C or Enable/Disable
- Connect to pad 3
- Connect to pad 2
- GND
- PECL-
- PECL+
- +Vs
- +Vs

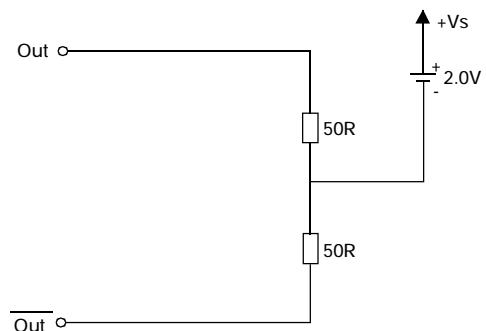
Recommended Solder Pad Layout

- Note 1. Connect pad 2 to pad 3
Note 2. Connect pad 7 to pad 8

Output Waveform



PECL Level Test Circuit



Electrical Specification - maximum limiting values when measured in test circuit

Frequency Range	Frequency Stability	Supply Voltage	Supply Current	Rise Time (t _r) 20/80% LVPECL	Fall Time (t _f) 80/20% LVPECL	Model Number
1.0 to 133.0MHz	±50ppm, ±100ppm	+5.0V ±5%	100mA	1.5ns	1.5ns	CFPP-600, CFPP-600I
		+3.3V ±5%				CFPP-601 CFPP-601I
<p>Ordering Example</p> <p style="text-align: right;">50.0MHz CFPP-601 I C</p> <p>Frequency _____</p> <p>Model No _____</p> <p>Operating Temperature Code: I = -40 to 85°C, not applicable for 0 to 70°C _____</p> <p>Frequency Stability: B = ±50ppm, C = ±100ppm _____</p>						