

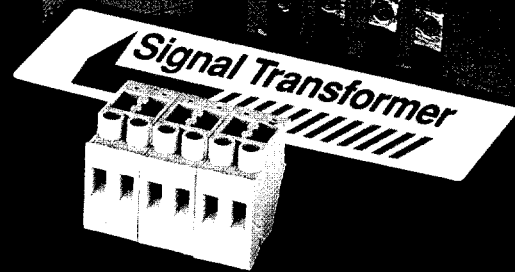
# Signal Transformer

*New International  
Power Transformers are here...*



*3 New Sizes*

*New TUV Certified*



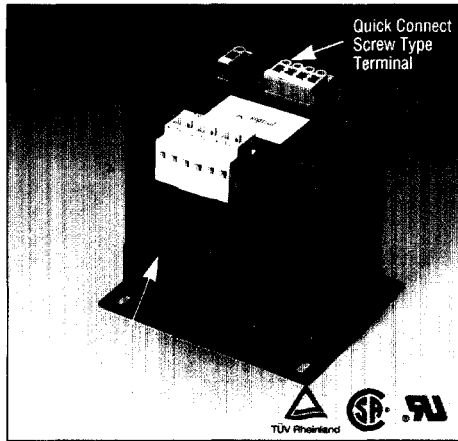
*New Low Profile Series*

**SIGTS00024**

# Multi-Purpose International Transformers



## High Performance with Greater Volumetric Efficiency



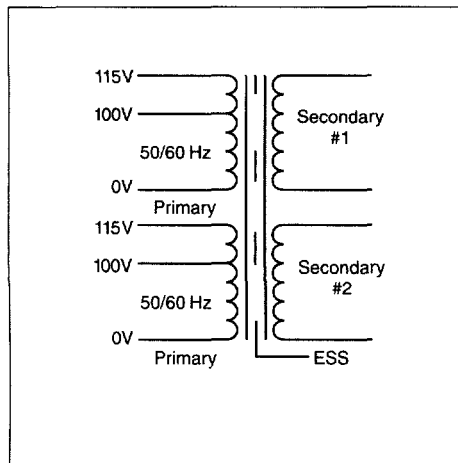
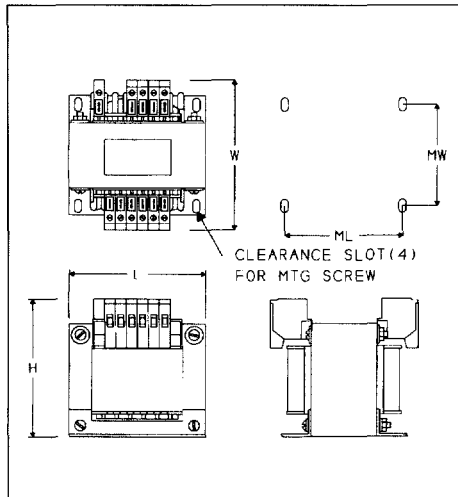
Signal's MPI transformers feature higher volumetric efficiency for improved performance compared to conventional 50/60 Hz transformers. They also incorporate international safety features which make them ideal for worldwide applications.

### General Specifications

- Power – 200 VA to 900 VA
- Dielectric Strength – 4000VRMS Hipot
- Primaries – Dual/tapped primaries (100V, 115V, 200V, 215V, 230V - 50/60 Hz)
- Secondaries – Series or parallel secondaries
- Electrostatic Shield – 5 mils thick copper foil
- Terminals – Quick-connect/screw type terminals
- Leakage – Leakage current meets medical applications
- Insulation – Class F insulation (155°C)

### Agency Standards

- UL recognized to UL 506 (File #E63829)
- CSA certified to C22.2 #66 (File #LR 51265)
- TUV certified to IEC #742 (Lic #R9679308 and R9671075)



Part No.	SECONDARY		Part No.	SECONDARY	
	Series	Parallel		Series	Parallel
MPI-200-10	10VCT @ 20.0A	5V @ 40.0A	MPI-200-28	28VCT @ 7.1A	14V @ 14.2A
MPI-250-10	10VCT @ 25.0A	5V @ 50.0A	MPI-250-28	28VCT @ 8.9A	14V @ 17.9A
MPI-300-10	10VCT @ 30.0A	5V @ 60.0A	MPI-300-28	28VCT @ 10.7A	14V @ 21.4A
MPI-400-10	10VCT @ 40.0A	5V @ 80.0A	MPI-400-28	28VCT @ 14.3A	14V @ 28.6A
MPI-650-10	10VCT @ 65.0A	5V @ 130.0A	MPI-650-28	28VCT @ 23.2A	14V @ 46.4A
MPI-900-10	10VCT @ 90.0A	5V @ 180.0A	MPI-900-28	28VCT @ 32.1A	14V @ 64.2A
MPI-200-12	12VCT @ 16.7A	6V @ 33.3A	MPI-200-36	36VCT @ 5.6A	18V @ 11.2A
MPI-250-12	12VCT @ 20.8A	6V @ 41.7A	MPI-250-36	36VCT @ 6.9A	18V @ 13.8A
MPI-300-12	12VCT @ 25.0A	6V @ 50.0A	MPI-300-36	36VCT @ 8.3A	18V @ 16.7A
MPI-400-12	12VCT @ 33.3A	6V @ 66.6A	MPI-400-36	36VCT @ 11.1A	18V @ 22.2A
MPI-650-12	12VCT @ 54.2A	6V @ 108.4A	MPI-650-36	36VCT @ 18.1A	18V @ 36.2A
MPI-900-12	12VCT @ 75.0A	6V @ 150.0A	MPI-900-36	36VCT @ 25.0A	18V @ 50.0A
MPI-200-16	16VCT @ 12.5A	8V @ 25.0A	MPI-200-40	40VCT @ 5.0A	20V @ 10.0A
MPI-250-16	16VCT @ 15.6A	8V @ 31.2A	MPI-250-40	40VCT @ 6.3A	20V @ 12.6A
MPI-300-16	16VCT @ 18.8A	8V @ 37.6A	MPI-300-40	40VCT @ 7.5A	20V @ 15.0A
MPI-400-16	16VCT @ 25.0A	8V @ 50.0A	MPI-400-40	40VCT @ 10.0A	20V @ 20.0A
MPI-650-16	16VCT @ 40.6A	8V @ 81.2A	MPI-650-40	40VCT @ 16.3A	20V @ 32.6A
MPI-900-16	16VCT @ 56.3A	8V @ 112.5A	MPI-900-40	40VCT @ 22.5A	20V @ 45.0A
MPI-200-20	20VCT @ 10.0A	10V @ 20.0A	MPI-200-48	48VCT @ 4.2A	24V @ 8.3A
MPI-250-20	20VCT @ 12.5A	10V @ 25.0A	MPI-250-48	48VCT @ 5.2A	24V @ 10.4A
MPI-300-20	20VCT @ 15.0A	10V @ 30.0A	MPI-300-48	48VCT @ 6.3A	24V @ 12.6A
MPI-400-20	20VCT @ 20.0A	10V @ 40.0A	MPI-400-48	48VCT @ 8.3A	24V @ 16.7A
MPI-650-20	20VCT @ 32.5A	10V @ 65.0A	MPI-650-48	48VCT @ 13.5A	24V @ 27.1A
MPI-900-20	20VCT @ 45.0A	10V @ 90.0A	MPI-900-48	48VCT @ 18.8A	24V @ 37.5A
MPI-200-24	24VCT @ 8.3A	12V @ 16.7A	MPI-200-230	230VCT @ 0.87A	115V @ 1.7A
MPI-250-24	24VCT @ 10.4A	12V @ 20.8A	MPI-250-230	230VCT @ 1.1A	115V @ 2.2A
MPI-300-24	24VCT @ 12.5A	12V @ 25.0A	MPI-300-230	230VCT @ 1.3A	115V @ 2.6A
MPI-400-24	24VCT @ 16.7A	12V @ 33.3A	MPI-400-230	230VCT @ 1.7A	115V @ 3.4A
MPI-650-24	24VCT @ 27.1A	12V @ 54.2A	MPI-650-230	230VCT @ 2.8A	115V @ 5.6A
MPI-900-24	24VCT @ 37.5A	12V @ 75.0A	MPI-900-230	230VCT @ 3.9A	115V @ 7.8A

VA (Size)	L	W	H	ML	MW	Wgt
200	3.750"	4.203"	3.720"	3.250"	2.800"	6.22 lbs
	95.3mm	106.6mm	94.5mm	82.6mm	71.1mm	2.82 kg
250	4.125"	3.898"	4.000"	3.625"	2.601"	6.76 lbs
	104.8mm	99.0mm	101.6mm	92.1mm	66.1mm	3.07 kg
300	4.125"	4.223"	4.000"	3.625"	2.915"	7.80 lbs
	104.8mm	107.3mm	101.6mm	92.1mm	74.0mm	3.54 kg
400	4.125"	4.805"	4.000"	3.625"	3.505"	9.82 lbs
	104.8mm	122.0mm	101.6mm	92.1mm	89.0mm	4.46 kg
650	5.250"	4.430"	4.800"	4.500"	3.415"	14.83 lbs
	133.3mm	112.5mm	121.9mm	114.3mm	86.7mm	6.73 kg
900	5.250"	5.197"	4.800"	4.500"	4.205"	19.84 lbs
	133.3mm	132.0mm	121.9mm	114.3mm	106.8mm	9.01 kg

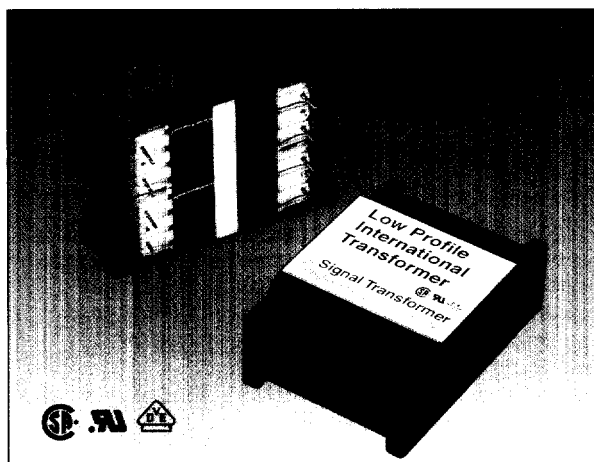


**CALL: 516-239-5777 • FAX: (24hrs) 516-239-7208**  
 Website: <http://www.signaltransformer.com>  
 500 Bayview Avenue, Inwood, New York 11096

# Low Profile International Transformers Printed Circuit Mount

BUY DIRECT  
TEL: (516) 239-5777  
FAX: (516) 239-7208

Direct Plug-In Replacement for Industry Standard Pin Configuration on Low Profile Transformers. Now with VDE Certification.



### New Features and Benefits - All AT NO ADDITIONAL COST

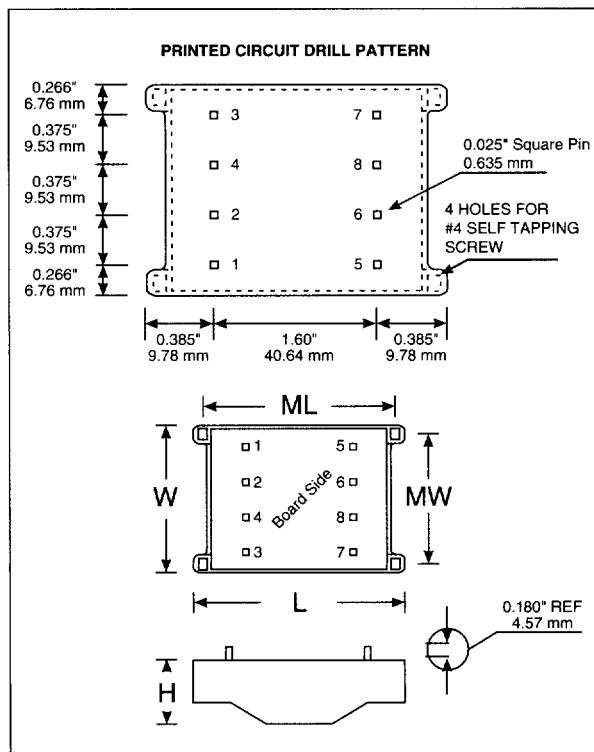
- **Hermetically Sealed** – For wave soldering processes
- **Rigid Pin Construction** – For easier board insertion and higher reliability
- **Mounting Holes Provided** – For greater resistance to shock and vibration
- **Improved Electrical Characteristics** – ie. regulation, temperature rise, efficiency, etc.

### General Specifications

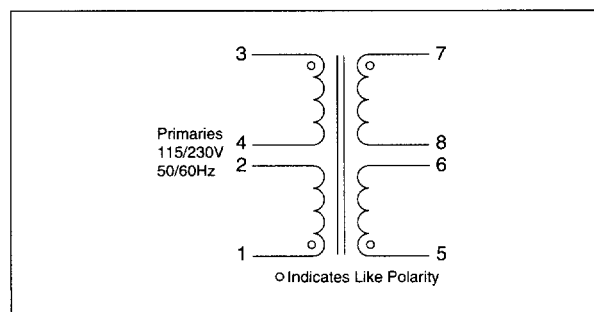
- **Power** – 2 VA to 18 VA
- **Dielectric Strength** – 4000VRMS Hipot
- **Primarys** – Dual primarys (115/230V - 50/60 Hz)
- **Secondarys** – Series or parallel secondarys
- **Electrostatic Shield** – Not necessary, split bobbin construction
- **Magnetic Field** – Reduced magnetic radiation
- **Height** – .72 to 1.08 inches high
- **Insulation** – Class B insulation (130°C)

### Built to Meet Agency Standards

- UL - UL 506 (File #E63829)
- CSA - C22.2 #66 (File #LR 51265)
- VDE - VDE 0805 / EN 60950
- VDE - IEC 950



Part No.	VA (Size)	Secondary RMS Rating	
		Series	Parallel
10-250-LPI	2.5	10VCT @ 250mA	5V @ 500mA
12-200-LPI	2.5	12.6VCT @ 200mA	6.3V @ 400mA
16-150-LPI	2.5	16VCT @ 150mA	8V @ 300mA
20-125-LPI	2.5	20VCT @ 125mA	10V @ 250mA
24-100-LPI	2.5	24VCT @ 100mA	12V @ 200mA
30-85-LPI	2.5	30VCT @ 85mA	15V @ 170mA
34-75-LPI	2.5	34VCT @ 75mA	17V @ 150mA
40-60-LPI	2.5	40VCT @ 60mA	20V @ 120mA
56-45-LPI	2.5	56VCT @ 45mA	28V @ 90mA
230-10-LPI	2.5	230VCT @ 10mA	115V @ 20mA
10-600-LPI	6	10VCT @ 600mA	5V @ 1.2A
12-450-LPI	6	12.6VCT @ 450mA	6.3V @ 900mA
16-350-LPI	6	16VCT @ 350mA	8V @ 700mA
20-300-LPI	6	20VCT @ 300mA	10V @ 600mA
24-250-LPI	6	24VCT @ 250mA	12V @ 500mA
30-200-LPI	6	30VCT @ 200mA	15V @ 400mA
34-170-LPI	6	34VCT @ 170mA	17V @ 340mA
40-150-LPI	6	40VCT @ 150mA	20V @ 300mA
56-100-LPI	6	56VCT @ 100mA	28V @ 200mA
230-25-LPI	6	230VCT @ 25mA	115V @ 50mA
10-900-LPI	9	10VCT @ 900mA	5V @ 1.8A
12-725-LPI	9	12.6VCT @ 725mA	6.3V @ 1.45A
16-560-LPI	9	16VCT @ 560mA	8V @ 1.12A
20-450-LPI	9	20VCT @ 450mA	10V @ 900mA
24-375-LPI	9	24VCT @ 375mA	12V @ 750mA
30-300-LPI	9	30VCT @ 300mA	15V @ 600mA
34-265-LPI	9	34VCT @ 265mA	17V @ 530mA
40-225-LPI	9	40VCT @ 225mA	20V @ 450mA
56-160-LPI	9	56VCT @ 160mA	28V @ 320mA
230-40-LPI	9	230VCT @ 40mA	115V @ 80mA
	12	<b>Available late 1997</b>	
	12		
	18		
	18		



VA (Size)	L	W	H	ML	MW	Wgt
2.5	2.370"	1.658"	0.720"	2.19"	1.50"	0.276 lbs
	60.2mm	42.1mm	18.3mm	55.6mm	38.1mm	0.125 kg
6	2.370"	1.658"	0.895"	2.19"	1.50"	0.390 lbs
	60.2mm	42.1mm	22.7mm	55.6mm	38.1mm	0.177 kg
9	2.370"	1.658"	1.080"	2.19"	1.50"	0.510 lbs
	60.2mm	42.1mm	27.4mm	55.6mm	38.1mm	0.231 kg
12	<b>Available late 1997</b>					
18						

**Signal Transformer**

CALL: 516-239-5777 • FAX: (24hrs) 516-239-7208

Website: <http://www.signaltransformer.com>

500 Bayview Avenue, Inwood, New York 11096

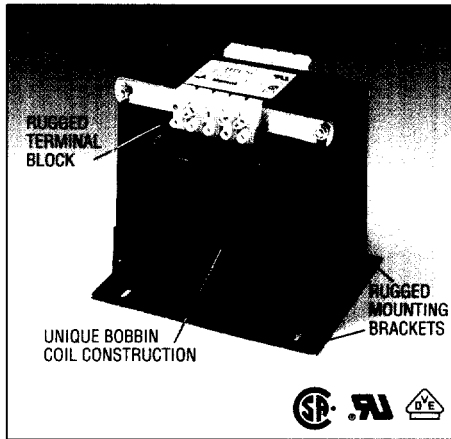
# High Power International Transformers

BUY DIRECT



516-239-5777  
TEL: (516) 239-5777  
FAX: (516) 239-7208

## Greater Performance in Less Space and Weight



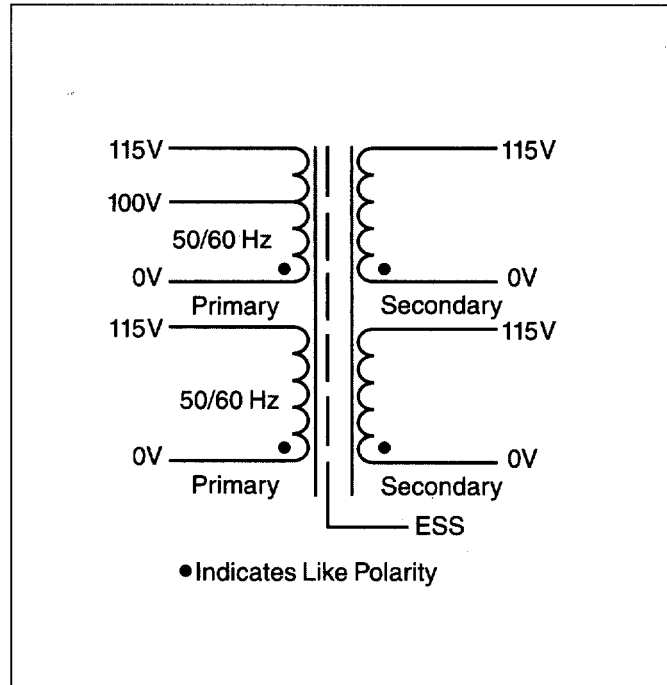
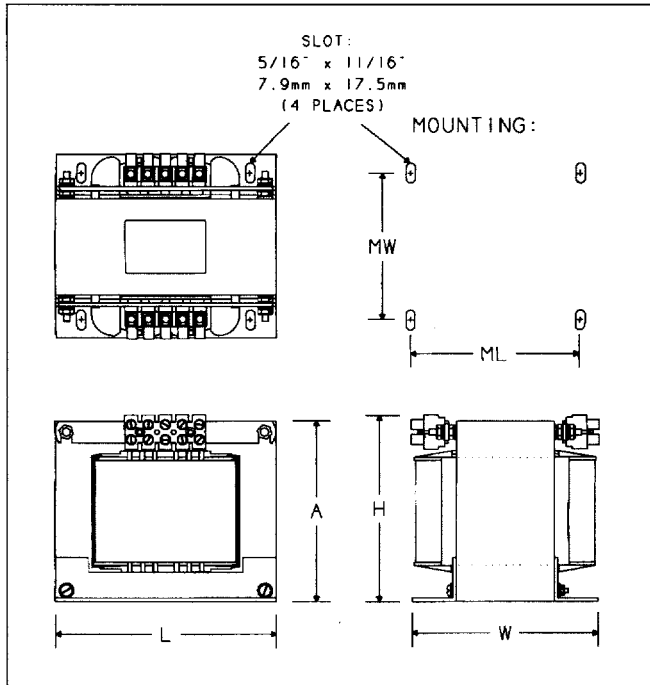
Signal's HPI transformers feature unique coil construction that complies with international safety standards and results in a smaller and lighter transformer.

### General Specifications

- Power – 1250 VA to 3500 VA
- Dielectric Strength – 4000VRMS Hipot
- Primaries – Dual/tapped primaries (100V, 115V, 215V, 230V - 50/60 Hz)
- Secondaries – Series or parallel secondaries (115V or 230V)
- Electrostatic Shield – 5 mils thick copper foil
- Terminals – Screw type barrier strip on size 20, 27 & 35 - screw type on 12, 15 & 17
- Leakage – Leakage current meets medical applications
- Insulation – Class H insulation (180°C)
- Flammability – Bobbin material meets UL 94V0

### Agency Standards

- UL recognized to UL 506 (File #E63829)
- CSA certified to C22.2 #66 (File #LR 51265)
- VDE certified to VDE 0550 (File #2994)
- TUV certified to IEC 950 (Lic #R9373110.2)



Part No.	VA (Size)	Secondary RMS Rating		Mechanical Dimensions						
		Series	Parallel	L	W	H	A	ML	MW	Wgt
*HPI-12	1250	230V @ 5.4A	115V @10.9A	7.06" 179.3mm	5.04" 128.0mm	6.06" 153.9mm	6.03" 153.2mm	5.50" 139.7mm	3.69" 93.7mm	31.0 lbs 14.07 kg
*HPI-15	1500	230V @ 6.5A	115V @13.0A	7.06" 179.3mm	5.43" 137.9mm	6.06" 153.9mm	6.03" 153.2mm	5.50" 139.7mm	4.03" 103.0mm	35.75 lbs 16.23 kg
*HPI-17	1750	230V @ 7.6A	115V @15.2A	7.06" 179.3mm	5.83" 148.1mm	6.06" 153.9mm	6.03" 153.2mm	5.50" 139.7mm	4.48" 113.3mm	41.50 lbs 18.84 kg
HPI-20	2000	230V @ 8.7A	115V @ 17.4A	7.50" 190.5mm	5.60" 142.2mm	6.56" 166.6mm	6.25" 158.8mm	5.75" 146.1mm	4.35" 110.5mm	41.3 lbs 18.71 kg
HPI-27	2750	230V @ 12.0A	115V @ 24.0A	7.50" 190.5mm	6.23" 158.2mm	6.56" 166.6mm	6.25" 158.8mm	5.75" 146.1mm	4.98" 126.5mm	48.0 lbs 21.77 kg
HPI-35	3500	230V @ 15.2A	115V @ 30.4A	7.50" 190.5mm	7.33" 186.2mm	6.56" 166.6mm	6.25" 158.8mm	5.75" 146.1mm	6.08" 154.4mm	62.4 lbs 28.30 kg

\*Agency certifications pending — Built to meet standards above.



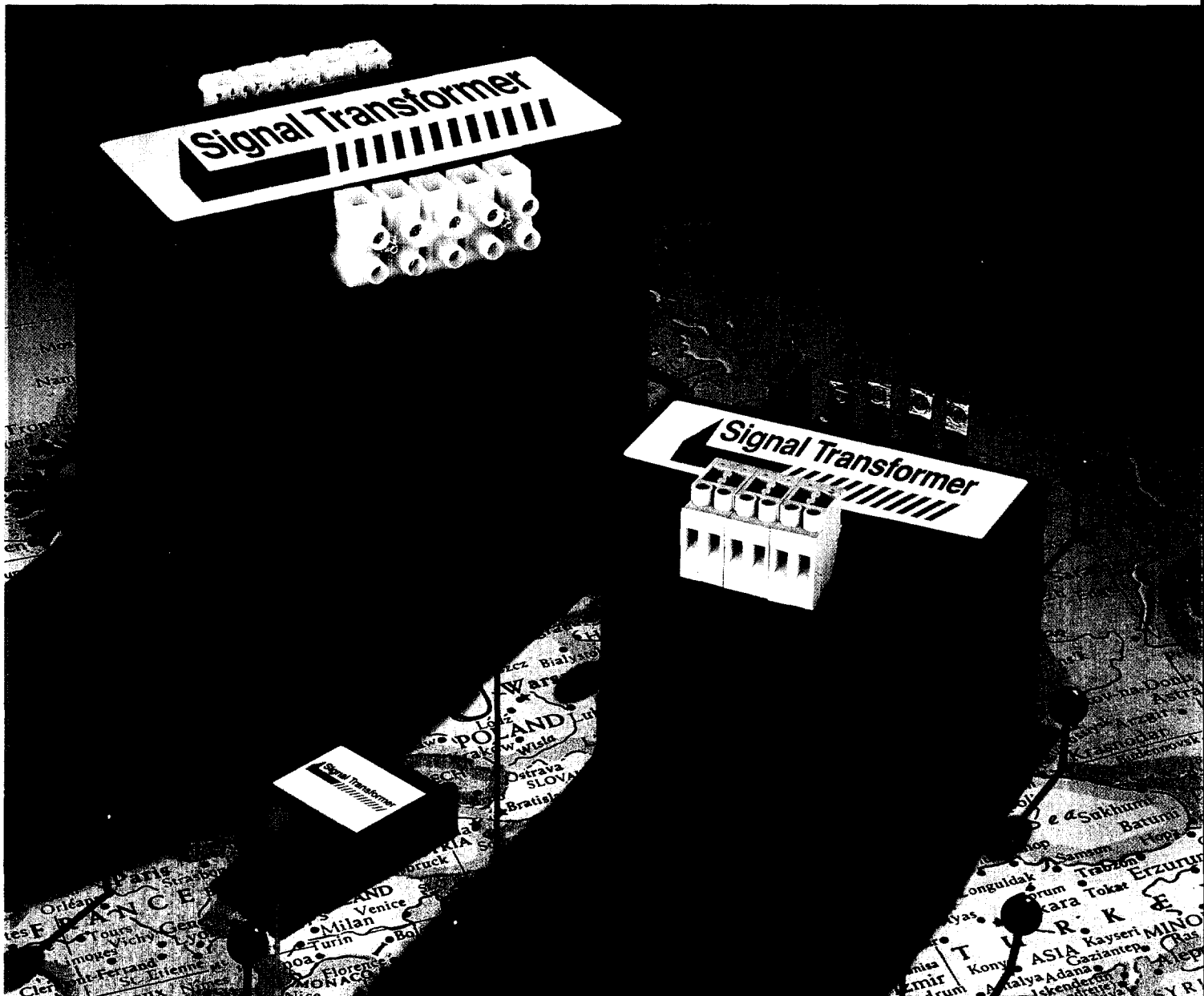
CALL: 516-239-5777 • FAX: (24hrs) 516-239-7208

Website: <http://www.signaltransformer.com>

500 Bayview Avenue, Inwood, New York 11096

# Signal Transformer

*...from the industry leader in  
International Transformers.*



## **Signal's Low Profile International Transformers.**

### **LPI SERIES**

Industry standard pin-to-pin compatibility.  
Check the spec's...nothing else comes close.

Whether your product is designed for domestic or international markets, Signal's Low Profile International Transformers deliver lower cost, lower installed cost and superior performance.

## **High Power International Transformers.**

### **HPI SERIES**

By Popular Demand Signal announces three new sizes:

- 1250VA
- 1500VA
- 1750VA

## **Multiple-Purpose International Transformers.**

### **MPI SERIES**

Now TUV Certified to IEC 742.  
High Performance with greater Volumetric Efficiency.

# Signal Transformer

## Price Sheet & Discount Schedule Terms and Conditions

Effective May 1997

### Discount Schedule

Quantity*	Discount
1 to 9	Net
10 to 24	25%
25 to 49	35%
50 to 99	43%
100 to 249	50%
250 & over	Quote

\*Different part numbers may not be aggregated to obtain quantity discounts.  
Prices are subject to change without notice.

### Terms and Conditions:

#### How to Order

Simply call 516-239-5777 and ask to speak to one of our customer service representatives waiting to answer your inquiry. If you wish you may fax your order to our 24-hour fax line (516-239-7208) or mail your purchase order to 500 Bayview Avenue, Inwood, New York 11096. If faxing or mailing your order please be certain to include your phone number so you can be reached if there are any questions concerning your order.

#### Terms of Sale

Net 30 days to firms with acceptable D&B rating. Unrated firms, please submit name of your bank and 3 major trade references. Other methods are: C.O.D. for any of our stock transformers, cash in advance for non-stock or custom transformers. We also accept MasterCard, Visa and American Express which saves the additional C.O.D. charges.



#### Prices

Prices are published on our price sheet and are subject to change without notice.

#### Extra Charges

All non-stock and custom transformer orders are subject to a set-up charge.

#### Freight Policy

Orders are shipped FOB (point of origin). All UPS shipments are prepaid and freight charges will be added to your invoice. All other carriers are shipped freight collect unless we are otherwise instructed.

### PRONTO<sup>SM</sup> 24-Hour Shipment

Our PRONTO shipment program is simple. We ship off-the-shelf products within 24 hours... and, in most cases, the same day!

We are able to make this commitment because we match computerized inventory production schedules with industry requirements. Larger production orders are comfortably scheduled to meet J.I.T. or any delivery scheduling. In fact, each year over 20,000 orders are shipped to satisfied customers on time, every time.

#### Damaged Shipment

Transformers shipped are carefully packed in compliance with carrier requirements. Claims for loss or damage in transit must be made with the carrier by the customer within 15 days of delivery. All shipments should be unpacked and inspected immediately upon receipt. If damage does not become apparent until shipment is unpacked, make a request within 72 hours for inspection by the carrier's agent and file with the carrier. Any evidence of damage to packaging must be noted on the freight bill or carrier's receipt and signed by the carrier's agent. Failure to do this will result in the carrier refusing to honor the claim.

#### Return Policy

You will find that the quality products purchased from Signal Transformer have been manufactured to give you the high level of quality you expect. Our goal has always been to make sure you are completely satisfied every time you do business with us. If a qualified reason exists, a Return Material Authorization will be given to you promptly and a replacement order will be processed immediately at the time of your call.

#### Warranty

Signal products are warranted to be free of defects in materials and workmanship when operated within specified operating conditions. Contact Signal for specific warranty, terms and conditions.

## Low Profile International

2.5 VA		6 VA		9 VA		12 VA		18 VA	
Part #	Net Price	Part #	Net Price	Part #	Net Price	Part #	Net Price	Part #	Net Price
10-250-LPI	10.15	10-600-LPI	11.15	10-900-LPI	12.65				
12-200-LPI	10.15	12-450-LPI	11.15	12-725-LPI	12.65				
16-150-LPI	10.15	16-350-LPI	11.15	16-560-LPI	12.65				
20-125-LPI	10.15	20-300-LPI	11.15	20-450-LPI	12.65				
24-100-LPI	10.15	24-250-LPI	11.15	24-375-LPI	12.65				
30-85-LPI	10.15	30-200-LPI	11.15	30-300-LPI	12.65				
34-75-LPI	10.15	34-170-LPI	11.15	34-265-LPI	12.65				
40-60-LPI	10.15	40-150-LPI	11.15	40-225-LPI	12.65				
56-45-LPI	10.15	56-100-LPI	11.15	56-160-LPI	12.65				
230-10-LPI	10.15	230-25-LPI	11.15	230-40-LPI	12.65				

## High Power International

Part #	Net Price	Part #	Net Price
HPI-12	251.00	HPI-20	368.00
HPI-15	268.00	HPI-27	398.00
HPI-17	290.00	HPI-35	450.00

## Multi-Purpose International

Part #	Net Price	Part #	Net Price	Part #	Net Price
MPI-200 - *	85.00	MPI-300 - *	96.00	MPI-650 - *	145.00
MPI-250 - *	90.00	MPI-400 - *	111.00	MPI-900 - *	162.00

\* Any Catalog Output