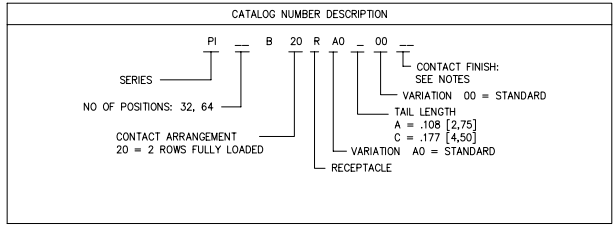


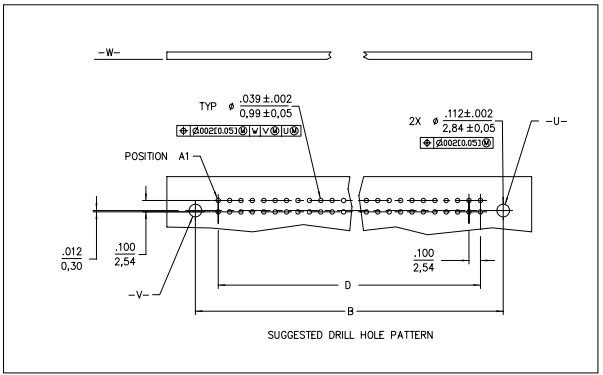
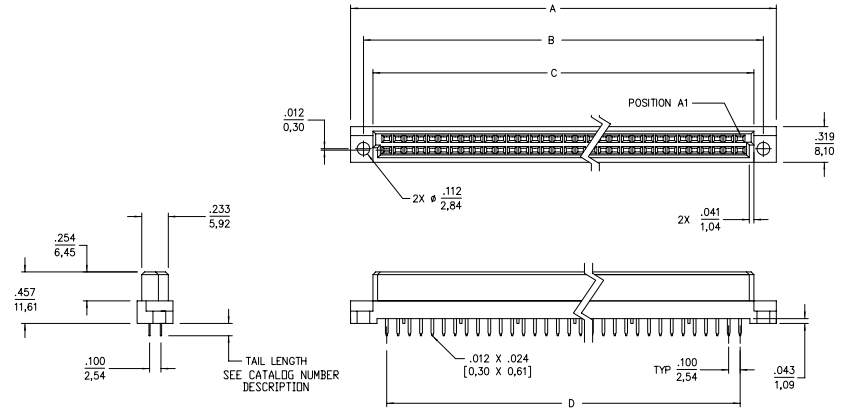
TABLE OF DIMENSIONS					
CATALOG NUMBER	NUMBER OF POSITIONS	A (MAX)	B	C ±.004 [0,10]	D
PI32B2ORA0_00	32	2,165 55,00	1,968 50,00	1,744 44,30	1,500 38,10
PI64B2ORA0_00	64	3,740 95,00	3,543 90,00	3,343 84,90	3,100 78,74



NOTES: UNLESS OTHERWISE SPECIFIED

MATERIAL:
BODY - GLASS REINFORCED POLYESTER UL94V-0, COLOR - LIGHT GRAY
CONTACTS - COPPER ALLOY

CONTACT FINISH :
N9 = 30 MICRONS [0,762 MICRONS] MIN GOLD IN CONTACT AREA
100 MICRONS [2,54 MICRONS] MIN TIN/LEAD ALLOY ON CONTACT TAILS
50 MICRONS [1,27 MICRONS] MIN NICKEL UNDERPLATE ALL OVER.
Z1 = 16 MICRONS [0,406 MICRONS] MIN GOLD IN CONTACT AREA
100 MICRONS [2,54 MICRONS] MIN TIN/LEAD ALLOY ON CONTACT TAILS
50 MICRONS [1,27 MICRONS] MIN NICKEL UNDERPLATE ALL OVER.



mat'l. code		surface ISO 1302 ✓		tolerance ISO 406 ISO 1101		projection ⊕-∇		product family DIM	
ltr	ecn no dr	date		tolerances unless otherwise specified		INCH/MM		title	
B	V20605	TAB	3/28/02	.XX±.01/.3				STANDARD TWO ROW VERTICAL	
C	M06-0330	AGS	8/29/06	angles	linear	.XXX±.005/.13		RECEPTACLE. TYPE B, 1/2 B	
				0°±2'		.XXXX±.0020/.051		scale 2:1	
				dr	JAT	4/20/95		dwg no	
				enr	JJK	5/1695		sheet 1 of 1 size	
				chr	JAT	4/17/95		SE96313 A3	
				appd	KM	11/03/95		type Product Customer Drawing	
sheet index	revision sheet	C	1						



Copyright FCI