

DATA SHEET

NAFTA 3198,
005 PLV-ST
Aluminum electrolytic capacitors
Power,
Low Voltage, Screw Terminals

Product specification
Supersedes data of 20th August 2001
File under BCcomponents, BC01

2001 Nov 27

Aluminum electrolytic capacitors Power, Low Voltage, Screw Terminals

NAFTA 3198, 005 PLV-ST

Selection chart for C_R , U_R and relevant nominal case code sizes

Preferred types in **bold**.

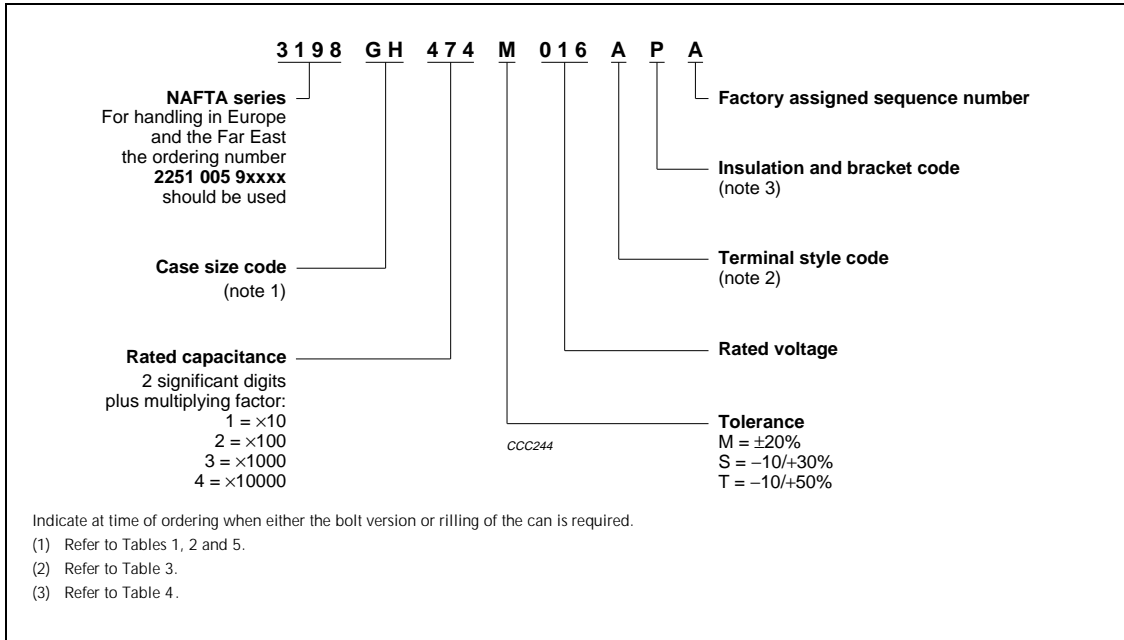
C_R (μF)	U_R (V)							
	7.5	10	16	25	40	50	63	75
2700	–	–	–	–	–	–	–	BA
3300	–	–	–	–	–	–	BA	BB
3900	–	–	–	–	–	–	–	BB
4700	–	–	–	–	–	–	BB	BC
5600	–	–	–	–	–	–	–	BD
6800	–	–	–	–	–	BA	BC	BE
8200	–	–	–	–	BA	BB	BD	BF
10000	–	–	–	–	BB	BC	BE	BH
12000	–	–	–	BA	BC	BD	BF	DE
15000	–	–	–	BB	BD	BE	BH	DF
18000	–	–	–	–	BE	BF	DE	DH
22000	–	–	BA	BC	BG	BH	DF	EG
27000	–	BA	BB	BD	BH	DE	DH	EH
33000	BA	BB	–	BE	DE	DF	EG	FF
39000	BB	–	BC	BG	DF	DG	FF	FH
47000	–	BC	BD	BH	DG	EF	FG	GF
56000	BC	BD	BE	DE	EG	EH	GF	GH
68000	BD	BE	BG	DF	EH	FF	GG	–
82000	BE	BG	DD	DG	FF	FH	–	–
100000	BG	BH	DE	EG	FG	GF	–	GN
120000	DD	DE	DF	EH	GF	GG	GN	–
150000	DE	DF	DH	FF	GG	–	GN	–
180000	DG	DH	EG	FG	–	–	–	–
220000	DH	EG	FE	GF	–	GN	–	–
270000	EG	EH	FF	GG	GN	–	–	–
330000	FE	FF	FH	–	–	–	–	–
390000	FF	FG	GF	–	–	–	–	–
470000	FH	GF	GH	GN	–	–	–	–
560000	–	GG	–	–	–	–	–	–
680000	–	–	GN	–	–	–	–	–
820000	–	–	GN	–	–	–	–	–
1000000	–	GN	–	–	–	–	–	–
1200000	GN	–	–	–	–	–	–	–

Aluminum electrolytic capacitors Power, Low Voltage, Screw Terminals

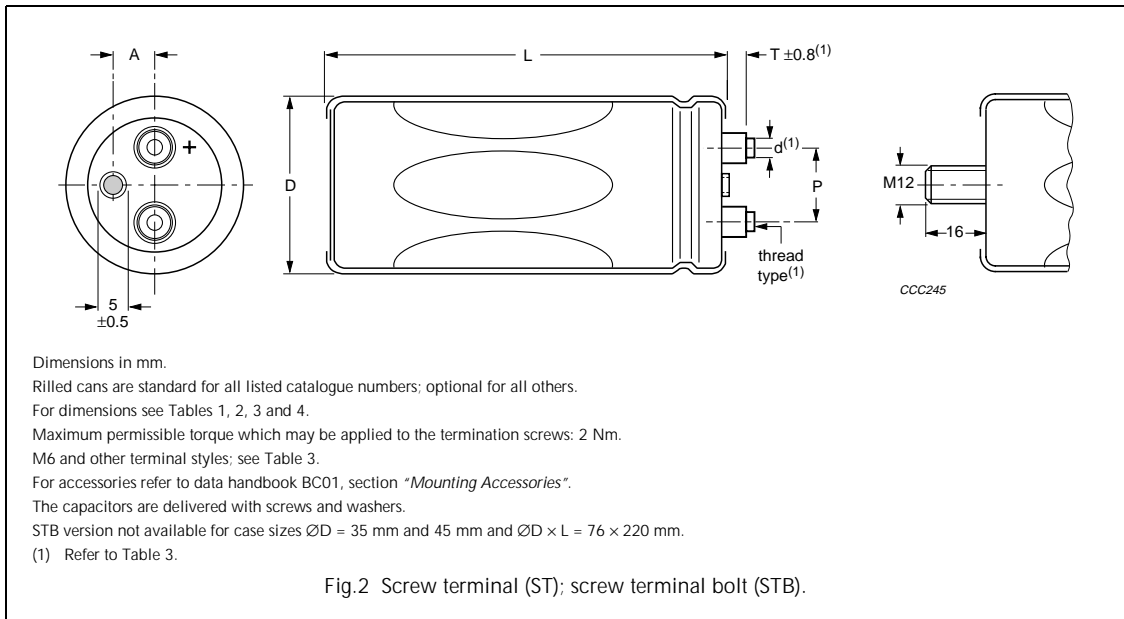
NAFTA 3198, 005 PLV-ST

ORDERING INFORMATION

NAFTA part numbering system



MECHANICAL DATA



Aluminum electrolytic capacitors Power, Low Voltage, Screw Terminals

NAFTA 3198, 005 PLV-ST

Table 1 Physical dimensions in millimetres (uninsulated case), mass and packaging information; see Fig.2

CASE CODE	∅D ±0.8 (mm)	L ±1.57 (mm)	P ±0.4 (mm)	A (mm)	MASS (g)	PACKAGING QUANTITIES (units per box)	CARDBOARD BOX DIMENSIONS l × w × h (mm)
Dimensions in millimetres							
BA	34.9	54.0	12.7	8.0	≈72	150	402 × 200 × 258
BB	34.9	66.7	12.7	8.0	≈90	150	402 × 200 × 258
BC	34.9	79.4	12.7	8.0	≈105	150	402 × 200 × 283
BD	34.9	92.1	12.7	8.0	≈120	100	402 × 200 × 258
BE	34.9	104.8	12.7	8.0	≈135	100	402 × 200 × 258
BF	34.9	117.5	12.7	8.0	≈170	100	402 × 200 × 258
BG	34.9	130.2	12.7	8.0	≈220	100	402 × 200 × 283
BH	34.9	142.9	12.7	8.0	≈270	100	402 × 200 × 315
DA	44.5	54.0	19.1	11.5	≈160	96	324 × 216 × 289
DB	44.5	66.7	19.1	11.5	≈175	72	332 × 221 × 278
DC	44.5	79.4	19.1	11.5	≈180	72	332 × 221 × 278
DD	44.5	92.1	19.1	11.5	≈205	48	324 × 216 × 289
DE	44.5	104.8	19.1	11.5	≈220	48	324 × 216 × 289
DF	44.5	117.5	19.1	11.5	≈235	48	324 × 216 × 289
DG	44.5	130.2	19.1	11.5	≈250	48	324 × 216 × 289
DH	44.5	142.9	19.1	11.5	≈270	24	324 × 216 × 315
EA	50.8	54.0	22.2	12.7	≈170	96	324 × 216 × 289
EB	50.8	66.7	22.2	12.7	≈180	72	332 × 221 × 278
EC	50.8	79.4	22.2	12.7	≈190	72	332 × 221 × 278
ED	50.8	92.1	22.2	12.7	≈220	48	324 × 216 × 289
EE	50.8	104.8	22.2	12.7	≈255	48	324 × 216 × 289
EF	50.8	117.5	22.2	12.7	≈290	48	324 × 216 × 289
EG	50.8	130.2	22.2	12.7	≈320	48	324 × 216 × 289
EH	50.8	142.9	22.2	12.7	≈350	48	324 × 216 × 315
FB	63.5	66.7	28.6	15.9	≈300	40	343 × 275 × 240
FC	63.5	79.4	28.6	15.9	≈370	40	343 × 275 × 240
FD	63.5	92.1	28.6	15.9	≈400	40	343 × 275 × 240
FE	63.5	104.8	28.6	15.9	≈445	40	343 × 275 × 240
FF	63.5	117.5	28.6	15.9	≈600	40	343 × 275 × 315
FG	63.5	130.2	28.6	15.9	≈650	40	343 × 275 × 315
FH	63.5	142.9	28.6	15.9	≈600	20	343 × 275 × 240
GC	76.2	79.4	31.8	19.0	≈520	60	397 × 320 × 292
GD	76.2	92.1	31.8	19.0	≈570	20	397 × 320 × 121
GE	76.2	104.8	31.8	19.0	≈600	20	397 × 320 × 121
GF	76.2	117.5	31.8	19.0	≈720	20	397 × 320 × 147
GG	76.2	130.2	31.8	19.0	≈850	20	397 × 320 × 147
GH	76.2	142.9	31.8	19.0	≈970	20	397 × 320 × 178
GJ	76.2	149.2	31.8	19.0	≈1050	20	397 × 320 × 178
GN	76.2	219.1	31.8	19.0	≈1460	16	426 × 410 × 237

Aluminum electrolytic capacitors Power, Low Voltage, Screw Terminals

NAFTA 3198, 005 PLV-ST

Table 2 Physical dimensions in inches (uninsulated case), mass and packaging information: see Fig.2

CASE CODE	∅D ±0.031 (inches)	L ±0.062 (inches)	P ±0.014 (inches)	A (inches)	MASS (g)	PACKAGING QUANTITIES (units per box)	CARDBOARD BOX DIMENSIONS l × w × h (inches)
Dimensions in inches							
BA	1.375	2.125	0.5	0.39	≈72	150	15.825 × 7.875 × 10.125
BB	1.375	2.625	0.5	0.39	≈90	150	15.825 × 7.875 × 10.125
BC	1.375	3.125	0.5	0.39	≈105	150	15.825 × 7.875 × 11.125
BD	1.375	3.625	0.5	0.39	≈120	100	15.825 × 7.875 × 10.125
BE	1.375	4.125	0.5	0.39	≈135	100	15.825 × 7.875 × 10.125
BF	1.375	4.625	0.5	0.39	≈170	100	15.825 × 7.875 × 10.125
BG	1.375	5.125	0.5	0.39	≈220	100	15.825 × 7.875 × 11.125
BH	1.375	5.625	0.5	0.39	≈270	100	15.825 × 7.875 × 12.400
DA	1.75	2.125	0.75	0.453	≈160	96	12.750 × 8.500 × 11.375
DB	1.75	2.625	0.75	0.453	≈175	72	13.700 × 8.700 × 11.000
DC	1.75	3.125	0.75	0.453	≈180	72	13.700 × 8.700 × 11.000
DD	1.75	3.625	0.75	0.453	≈205	48	12.750 × 8.500 × 11.375
DE	1.75	4.125	0.75	0.453	≈220	48	12.750 × 8.500 × 11.375
DF	1.75	4.625	0.75	0.453	≈235	48	12.750 × 8.500 × 11.375
DG	1.75	5.125	0.75	0.453	≈250	48	12.750 × 8.500 × 11.375
DH	1.75	5.625	0.75	0.453	≈270	24	12.750 × 8.500 × 12.400
EA	2	2.125	0.875	0.5	≈170	96	12.750 × 8.500 × 11.375
EB	2	2.625	0.875	0.5	≈180	72	13.750 × 8.700 × 11.000
EC	2	3.125	0.875	0.5	≈190	72	13.750 × 8.700 × 11.000
ED	2	3.625	0.875	0.5	≈220	48	12.750 × 8.500 × 11.375
EE	2	4.125	0.875	0.5	≈255	48	12.750 × 8.500 × 11.375
EF	2	4.625	0.875	0.5	≈290	48	12.750 × 8.500 × 11.375
EG	2	5.125	0.875	0.5	≈320	48	12.750 × 8.500 × 11.375
EH	2	5.625	0.875	0.5	≈350	48	12.750 × 8.500 × 12.400
FB	2.5	2.625	1.125	0.625	≈300	40	13.500 × 10.825 × 9.500
FC	2.5	3.125	1.125	0.625	≈370	40	13.500 × 10.825 × 9.500
FD	2.5	3.625	1.125	0.625	≈400	40	13.500 × 10.825 × 9.500
FE	2.5	4.125	1.125	0.625	≈445	40	13.500 × 10.825 × 9.500
FF	2.5	4.625	1.125	0.625	≈600	40	13.500 × 10.825 × 12.400
FG	2.5	5.125	1.125	0.625	≈650	40	13.500 × 10.825 × 12.400
FH	2.5	5.625	1.125	0.625	≈600	20	13.500 × 10.825 × 9.500
GC	3	3.125	1.25	0.75	≈520	60	15.630 × 12.600 × 11.500
GD	3	3.625	1.25	0.75	≈570	20	15.630 × 12.600 × 4.750
GE	3	4.125	1.25	0.75	≈600	20	15.630 × 12.600 × 4.750
GF	3	4.625	1.25	0.75	≈720	20	15.630 × 12.600 × 5.750
GG	3	5.125	1.25	0.75	≈850	20	15.630 × 12.600 × 5.750
GH	3	5.625	1.25	0.75	≈970	20	15.630 × 12.600 × 7.000
GJ	3	5.825	1.25	0.75	≈1050	20	15.630 × 12.600 × 7.000
GN	3	8.625	1.25	0.75	≈1460	16	16.775 × 16.125 × 9.250

Aluminum electrolytic capacitors Power, Low Voltage, Screw Terminals

NAFTA 3198, 005 PLV-ST

Table 3 NAFTA terminal style code; standard types in **bold**.

CODE	TERMINAL STYLE	THREAD TYPE	d (mm)	T (mm)	d (inches)	T (inches)
A	high post	10-32	8	6.4	.315	0.250
B	low post	10-32	8	1.6	.315	0.063
D	high current; see note 1	1/4-28	17	3.2	.670	0.125
J	high current; see note 1	M6	17	3.2	.670	0.125
M	high post	M5	8	6.4	.315	0.250
K	high current; see note 1	1/4-28	17	6.4	.670	0.250

Note

- Case $\varnothing D = 63.5$ mm (2.5") and $\varnothing D = 76.2$ mm (3.0") cans only; for 30 A and up.

Table 4 NAFTA insulation and clamp/bracket codes; standard types in **bold**. See note 1

CODE	CLAMP/BRACKET	INSULATION TYPE	DIMENSION ADDERS		
			D	L	H
			Dimensions in mm		
P	no	0.2 mm polymeric	+0.51	+0.81	+0.61
H	no	0.3 mm polymeric	+0.63	+1.58	+1.14
N	no	none	–	–	–
R	yes	0.2 mm polymeric	+0.51	+0.81	+0.61
J	yes	0.6 mm polymeric	+0.63	+1.58	+1.14
X	yes	none	–	–	–
			Dimensions in inches		
P	no	0.008" polymeric	+0.020	+0.032	+0.024
H	no	0.012" polymeric	+0.030	+0.062	+0.045
N	no	none	–	–	–
R	yes	0.008" polymeric	+0.020	+0.032	+0.024
J	yes	0.012" polymeric	+0.030	+0.062	+0.045
X	yes	none	–	–	–

Note

- For clamp/bracket dimensions see section "Mounting Accessories" in data handbook BC01.

MARKING

The capacitors are marked (where possible) with the following information:

- Rated capacitance (in μF)
- Tolerance on rated capacitance
- Rated voltage (in V)
- Date code in "yyww" (year, week) format
- Name of manufacturer
- NAFTA code number 17 digits
- Code number 12 digits (12NC; NAFTA customers will not see the 12NC).

Aluminum electrolytic capacitors Power, Low Voltage, Screw Terminals

NAFTA 3198, 005 PLV-ST

ELECTRICAL DATA

Unless otherwise specified, all electrical values in Table 5 apply at $T_{amb} = 25\text{ °C}$, $P = 86$ to 106 kPa , $RH = 45$ to 75% .

SYMBOL	DESCRIPTION
C_R	rated capacitance at 100/120 Hz
I_R	rated RMS ripple current at 85 °C, 100/120 Hz
I_{L5}	max. leakage current after 5 minutes at U_R
ESR	typ. equivalent series resistance at 100/120 Hz
Z	impedance at 20 kHz on request

Table 5 Electrical data and ordering information for **3198** series; preferred types in **bold**

U_R (V)	C_R 100/120 Hz (μF)	NOMINAL CASE SIZE $\varnothing D \times L$ (mm)	CASE CODE	I_R 100/120 Hz 85 °C (A)	I_{L5} 5 min (mA)	ESR TYP. 100/120 Hz (m Ω)	CATALOGUE NUMBER 2251 005 9....
7.5	33000	35 × 54	BA	11.4	1.49	11.2	on request
	39000	35 × 65	BB	13.3	1.62	9.7	on request
	56000	35 × 80	BC	17.0	1.94	8.9	on request
	68000	35 × 90	BD	19.3	2.14	6.1	on request
	82000	35 × 105	BE	21.3	2.35	5.5	on request
	100000	35 × 130	BG	26.1	2.60	4.5	on request
	120000	45 × 90	DD	25.4	2.85	4.7	on request
	150000	45 × 105	DE	28.1	3.18	4.2	on request
	180000	45 × 130	DG	30.0	3.49	3.8	on request
	220000	45 × 143	DH	30.0	3.85	3.2	on request
	270000	50 × 130	EG	30.0	4.27	3.6	on request
	330000	65 × 105	FE	44.6	4.72	2.6	on request
	390000	65 × 118	FF	48.6	5.13	2.4	on request
	470000	65 × 143	FH	50.0	5.63	2.4	on request
1200000	76 × 220	GN	50.0	9.00	1.7	on request	

Aluminum electrolytic capacitors Power, Low Voltage, Screw Terminals

NAFTA 3198, 005 PLV-ST

U_R (V)	C_R 100/120 Hz (μ F)	NOMINAL CASE SIZE $\varnothing D \times L$ (mm)	CASE CODE	I_R 100/120 Hz 85 °C (A)	I_{L5} 5 min (mA)	ESR TYP. 100/120 Hz (m Ω)	CATALOGUE NUMBER 2251 005 9....
10	27000	35 × 54	BA	11.4	1.56	11.4	on request
	33000	35 × 65	BB	13.2	1.72	9.8	on request
	47000	35 × 80	BC	16.9	2.06	7.0	on request
	56000	35 × 90	BD	19.2	2.24	6.1	on request
	68000	35 × 105	BE	21.2	2.47	5.6	on request
	82000	35 × 130	BG	25.9	2.72	4.5	on request
	100000	35 × 143	BH	27.7	3.00	4.3	on request
	120000	45 × 105	DE	28.0	3.29	4.3	on request
	150000	45 × 118	DF	30.0	3.67	3.6	on request
	180000	45 × 143	DH	30.0	4.02	3.3	on request
	220000	50 × 130	EG	30.0	4.45	3.7	on request
	270000	50 × 143	EH	30.0	4.93	3.5	on request
	330000	65 × 118	FF	48.4	5.45	2.4	on request
	390000	65 × 130	FG	50.0	5.92	2.3	on request
470000	76 × 118	GF	50.0	6.50	2.2	on request	
560000	76 × 130	GG	50.0	7.10	2.1	on request	
1000000	76 × 220	GN	50.0	9.49	1.7	on request	
16	22000	35 × 54	BA	12.2	1.78	9.9	on request
	27000	35 × 65	BB	14.1	1.97	8.6	on request
	39000	35 × 80	BC	16.8	2.37	7.0	on request
	47000	35 × 90	BD	19.1	2.60	6.2	on request
	56000	35 × 105	BE	21.1	2.84	5.7	on request
	68000	35 × 130	BG	25.8	3.13	4.6	on request
	82000	45 × 90	DD	25.2	3.44	4.7	on request
	100000	45 × 105	DE	27.9	3.79	4.3	on request
	120000	45 × 118	DF	30.0	4.16	3.6	on request
	150000	45 × 143	DH	30.0	4.65	3.3	on request
	180000	50 × 130	EG	30.0	5.09	3.7	on request
	220000	65 × 105	FE	44.3	5.63	2.6	on request
	270000	65 × 118	FF	48.3	6.24	2.4	on request
	330000	65 × 143	FH	50.0	6.89	2.2	on request
	390000	76 × 118	GF	50.0	7.49	2.2	on request
	470000	76 × 143	GH	50.0	8.23	2.0	on request
	680000	76 × 220	GN	50.0	9.90	1.7	on request
	820000	76 × 220	GN	50.0	10.87	1.8	on request

Aluminum electrolytic capacitors Power, Low Voltage, Screw Terminals

NAFTA 3198, 005 PLV-ST

U_R (V)	C_R 100/120 Hz (μF)	NOMINAL CASE SIZE $\varnothing D \times L$ (mm)	CASE CODE	I_R 100/120 Hz 85 °C (A)	I_{L5} 5 min (mA)	ESR TYP. 100/120 Hz (m Ω)	CATALOGUE NUMBER 2251 005 9....
25	12000	35 × 54	BA	6.8	1.64	31.6	on request
	15000	35 × 65	BB	8.0	1.84	27.0	on request
	22000	35 × 80	BC	9.6	2.22	21.4	on request
	27000	35 × 90	BD	11.1	2.46	18.2	on request
	33000	35 × 105	BE	12.4	2.72	16.1	on request
	39000	35 × 130	BG	15.6	2.96	12.4	on request
	47000	35 × 143	BH	16.9	3.25	11.6	on request
	56000	45 × 105	DE	20.0	3.55	8.3	on request
	68000	45 × 118	DF	22.9	3.91	6.9	on request
	82000	45 × 130	DG	24.9	4.30	6.4	on request
	100000	50 × 130	EG	30.0	4.74	4.3	on request
	120000	50 × 143	EH	30.0	5.20	4.0	on request
	150000	65 × 118	FF	38.3	5.81	3.8	on request
	180000	65 × 130	FG	41.5	6.36	3.5	on request
	220000	76 × 118	GF	45.8	7.04	3.3	on request
270000	76 × 130	GG	49.6	7.79	3.1	on request	
470000	76 × 220	GN	50.0	10.28	2.4	on request	
40	8200	35 × 54	BA	6.1	1.72	38.8	on request
	10000	35 × 65	BB	7.2	1.90	33.0	on request
	12000	35 × 80	BC	8.7	2.08	26.3	on request
	15000	35 × 90	BD	10.1	2.32	22.1	on request
	18000	35 × 105	BE	11.4	2.55	19.4	on request
	22000	35 × 130	BG	14.3	2.81	14.7	on request
	27000	35 × 143	BH	15.5	3.12	13.6	on request
	33000	45 × 105	DE	18.4	3.45	9.8	on request
	39000	45 × 118	DF	21.1	3.75	8.2	on request
	47000	45 × 130	DG	23.0	4.11	7.5	on request
	56000	50 × 130	EG	30.0	4.49	5.0	on request
	68000	50 × 143	EH	30.0	4.95	4.7	on request
	82000	65 × 118	FF	35.2	5.43	4.5	on request
	100000	65 × 130	FG	38.4	6.00	4.1	on request
	120000	76 × 118	GF	42.1	6.57	4.0	on request
150000	76 × 130	GG	45.9	7.35	3.6	on request	
270000	76 × 220	GN	50.0	9.86	2.7	on request	

Aluminum electrolytic capacitors Power, Low Voltage, Screw Terminals

NAFTA 3198, 005 PLV-ST

U_R (V)	C_R 100/120 Hz (μ F)	NOMINAL CASE SIZE $\varnothing D \times L$ (mm)	CASE CODE	I_R 100/120 Hz 85 °C (A)	I_{L5} 5 min (mA)	ESR TYP. 100/120 Hz (m Ω)	CATALOGUE NUMBER 2251 005 9....
50	6800	35 × 54	BA	5.9	1.75	41.6	on request
	8200	35 × 65	BB	7.0	1.92	35.4	on request
	10000	35 × 80	BC	8.4	2.12	28.0	on request
	12000	35 × 90	BD	9.7	2.32	23.6	on request
	15000	35 × 105	BE	11.0	2.60	20.6	on request
	18000	35 × 118	BF	12.8	2.85	16.9	on request
	22000	35 × 143	BH	15.1	3.15	14.4	on request
	27000	45 × 105	DE	18.2	3.49	10.0	on request
	33000	45 × 118	DF	20.9	3.85	8.3	on request
	39000	45 × 130	DG	22.9	4.19	7.6	on request
	47000	50 × 118	EF	21.0	4.60	9.6	on request
	56000	50 × 143	EH	24.7	5.02	8.2	on request
	68000	65 × 118	FF	29.0	5.53	6.6	on request
	82000	65 × 143	FH	34.0	6.07	5.7	on request
	100000	76 × 118	GF	36.0	6.71	5.3	on request
120000	76 × 130	GG	39.5	7.35	4.9	on request	
220000	76 × 220	GN	50.0	9.95	3.5	on request	
63	3300	35 × 54	BA	5.9	1.37	41.5	on request
	4700	35 × 65	BB	7.0	1.63	35.4	on request
	6800	35 × 80	BC	8.4	1.96	28.1	on request
	8200	35 × 90	BD	9.7	2.16	23.7	on request
	10000	35 × 105	BE	11.0	2.38	20.7	on request
	12000	35 × 118	BF	12.7	2.61	17.1	on request
	15000	35 × 143	BH	15.0	2.92	14.5	on request
	18000	45 × 105	DE	18.0	3.19	10.2	on request
	22000	45 × 118	DF	20.7	3.53	8.5	on request
	27000	45 × 143	DH	24.2	3.91	7.3	on request
	33000	50 × 130	EG	23.0	4.33	8.8	on request
	39000	65 × 118	FF	25.9	4.70	7.6	on request
	47000	65 × 130	FG	28.6	5.16	6.8	on request
	56000	76 × 118	GF	32.5	5.63	6.1	on request
	68000	76 × 130	GG	36.0	6.21	5.4	on request
	120000	76 × 220	GN	47.0	8.25	4.4	on request
	150000	76 × 220	GN	47.0	9.22	4.4	on request

Aluminum electrolytic capacitors Power, Low Voltage, Screw Terminals

NAFTA 3198, 005 PLV-ST

U_R (V)	C_R 100/120 Hz (μ F)	NOMINAL CASE SIZE $\varnothing D \times L$ (mm)	CASE CODE	I_R 100/120 Hz 85 °C (A)	I_{L5} 5 min (mA)	ESR TYP. 100/120 Hz (m Ω)	CATALOGUE NUMBER 2251 005 9....
75	2700	35 × 54	BA	5.7	1.35	45.4	on request
	3300	35 × 65	BB	6.3	1.49	42.2	on request
	3900	35 × 65	BB	6.8	1.62	37.2	on request
	4700	35 × 80	BC	8.2	1.78	29.7	on request
	5600	35 × 90	BD	9.5	1.94	25.1	on request
	6800	35 × 105	BE	10.7	2.14	21.8	on request
	8200	35 × 118	BF	12.4	2.35	18.0	on request
	10000	35 × 143	BH	14.6	2.60	15.3	on request
	12000	45 × 105	DE	17.4	2.85	10.9	on request
	15000	45 × 118	DF	20.1	3.18	9.0	on request
	18000	45 × 143	DH	23.5	3.49	7.8	on request
	22000	50 × 130	EG	22.6	3.85	9.1	on request
	27000	50 × 143	EH	24.5	4.27	8.4	on request
	33000	65 × 118	FF	28.2	4.72	7.0	on request
	39000	65 × 143	FH	33.0	5.13	6.0	on request
	47000	76 × 118	GF	35.4	5.63	5.6	on request
	56000	76 × 143	GH	41.4	6.15	4.7	on request
	100000	76 × 220	GN	50.0	8.22	3.6	on request

Additional electrical data

PARAMETER	CONDITIONS	VALUE
Voltage		
Surge voltage	≤250 V versions	$U_S = 1.3 \times U_R$
Reverse voltage		$U_{rev} \leq 1 \text{ V}$
Current		
Leakage current	after 5 minutes at U_R	$I_{L5} \leq 0.003 \times \sqrt{C \times V}$ (mA)
Inductance		
Equivalent series inductance (ESL)	case $\varnothing D = 35 \text{ mm}$, (1.375")	typ. 18 nH
	case $\varnothing D = 45 \text{ mm}$, (1.75")	typ. 23 nH
	case $\varnothing D = 50 \text{ mm}$, (2.0")	typ. 25 nH
	case $\varnothing D = 65 \text{ mm}$, (2.5")	typ. 27 nH
	case $\varnothing D = 75 \text{ mm}$, (3.0")	typ. 29 nH

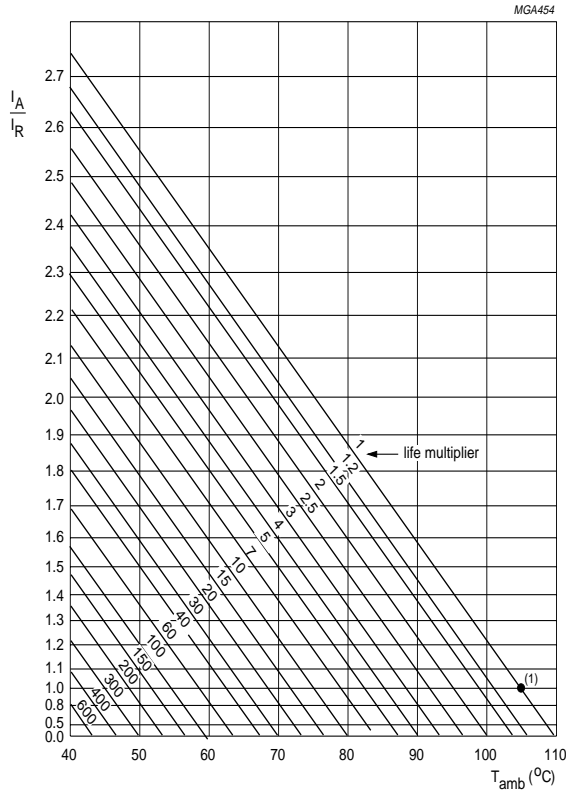
Aluminum electrolytic capacitors Power, Low Voltage, Screw Terminals

NAFTA 3198, 005 PLV-ST

RIPPLE CURRENT AND USEFUL LIFE

Table 6 Multiplier of ripple current (I_R) as a function of frequency

FREQUENCY (Hz)	I_R MULTIPLIER
60	0.9
100/120	1.00
300	1.05
1000	1.1
≥ 10000	1.15



I_A = actual ripple current at 100/120 Hz and 105 °C.
 I_R = rated ripple current at 100/120 Hz and 105 °C.
 With an absolute maximum of 50 A at 105 °C.
 (1) Useful life at 105 °C and I_R applied: 5000 hours.

Fig.3 Multiplier of useful life as a function of ambient temperature and ripple current load.

Aluminum electrolytic capacitors Power, Low Voltage, Screw Terminals

NAFTA 3198, 005 PLV-ST

SPECIFIC TESTS AND REQUIREMENTS

General tests and requirements are specified in data handbook BC01, section "Tests and Requirements".

Table 7 Test procedures and requirements

TEST		PROCEDURE (quick reference)	REQUIREMENTS
NAME OF TEST	REFERENCE		
Endurance	IEC 60384-4 subclause 4.13	$T_{amb} = 105\text{ °C}$; U_R applied; 3000 hours	$\Delta C/C: \pm 10\%$ $ESR \leq 2 \times \text{spec. limit}$ $I_{L5} \leq \text{spec. limit}$
Useful life	CECC 30301 subclause 1.8.1	$T_{amb} = 105\text{ °C}$; U_R and I_R applied; 5000 hours	$\Delta C/C: \pm 15\%$ $ESR \leq 3 \times \text{spec. limit}$ $I_{L5} \leq \text{spec. limit}$ no short or open circuit, no visible damage total failure percentage: $\leq 3\%$
Shelf life (storage at high temperature)	IEC 60384-4 subclause 4.17	$T_{amb} = 105\text{ °C}$; no voltage applied; 500 hours after test: U_R to be applied for 30 minutes, 24 to 48 hours before measurement	$\Delta C/C: \pm 10\%$ $I_{L5} \leq 2 \times \text{spec. limit}$ $ESR \leq 1.75 \times \text{spec. limit}$