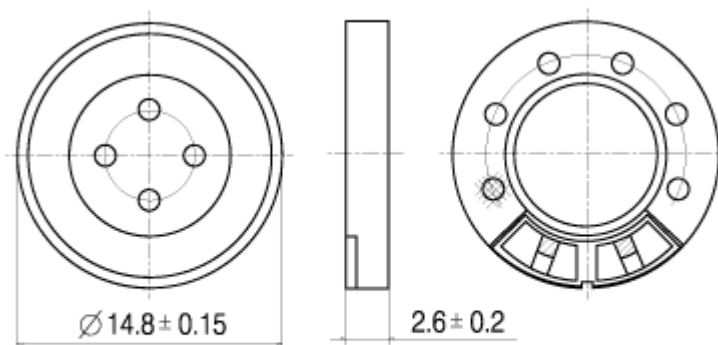




| | |
|---|--------------------|
| Type | BDR-8 |
| DC Resistance(Ω) | $30 \pm 10\%$ |
| AC Impedance(Ω) | $32 \pm 15\%$ |
| Sensitivity(dB) | 92 ± 2 at 60mV |
| Frequency Range(Hz) | 300~3400 |
| THD | $\leq 5\%$ |
| Operating Temperature($^{\circ}\text{C}$) | -20~+40 |
| Weight(g) | 1 |



Unit:mm

