

**PLEASE CHECK WWW.MOLEX.COM FOR LATEST PART INFORMATION**

**Part Number:** **0855861005**  
**Status:** **Active**  
**Overview:** magnetic modular jacks  
**Description:** HyperJack™ 1000 PoE Module, 6/6

**Documents:**

[3D Model](#) [Product Specification PS-85586-001 \(PDF\)](#)  
[Drawing \(PDF\)](#) [RoHS Certificate of Compliance \(PDF\)](#)

**General**

Product Family	Modular Jacks/Plugs
Series	85586
Component Type	PCB Jack
Magnetic	Yes
Overview	<u>magnetic modular jacks</u>
Performance Category	5e
Power over Ethernet (PoE)	PoE
Product Name	HyperJack™PoE, RJ11

**Physical**

Boot Color	N/A
Color - Resin	Black
Durability (mating cycles max)	750
Inverted / Top Latch	Yes
Keying to Mating Part	Yes
Lightpipes/LEDs	LEDs
Material - Metal	Brass, Phosphor Bronze
Material - Plating Mating	Gold
Material - Plating Termination	Tin
Material - Resin	High Temperature Thermoplastic
Orientation	Right Angle (Side Entry)
PCB Locator	Yes
PCB Retention	Yes
PCB Thickness Recommended (in)	0.140 In
PCB Thickness Recommended (mm)	3.60 mm
Packaging Type	Tray
Ports	12
Positions / Loaded Contacts	6/6
Surface Mount Compatible (SMC)	No
Temperature Range - Operating	0°C to +70°C, 75°C
Termination Interface: Style	Through Hole
Waterproof / Dustproof	No
Wire/Cable Type	CAT 5, CAT 6

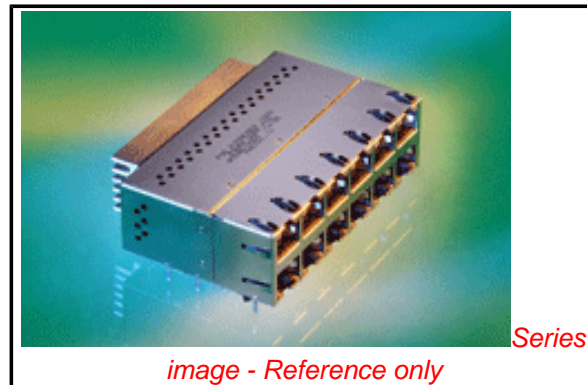
**Electrical**

Current - Maximum per Contact	6A
Grounding to PCB	Yes
Grounding to Panel	Yes
Shielded	Yes
Voltage - Maximum	57V

**Solder Process Data**

Lead-free Process Capability	Wave Capable (TH only)
Process Temperature max. C	260

**Material Info**



**EU RoHS**

**ELV and RoHS  
Compliant**  
**REACH SVHC**  
 Not Reviewed  
**Halogen-Free  
Status**  
 Not Reviewed

**China RoHS**



**Need more information on product  
environmental compliance?**

Email [productcompliance@molex.com](mailto:productcompliance@molex.com)  
 For a multiple part number RoHS Certificate of  
 Compliance, [click here](#)

Please visit the [Contact Us](#) section for any  
 non-product compliance questions.

**Search Parts in this Series**

85586Series

**Mates With**

90075 , Plugs conforming to IEC 60603-7,  
 95043 , 85568

**Reference - Drawing Numbers**

Packaging Specification

Product Specification

Sales Drawing

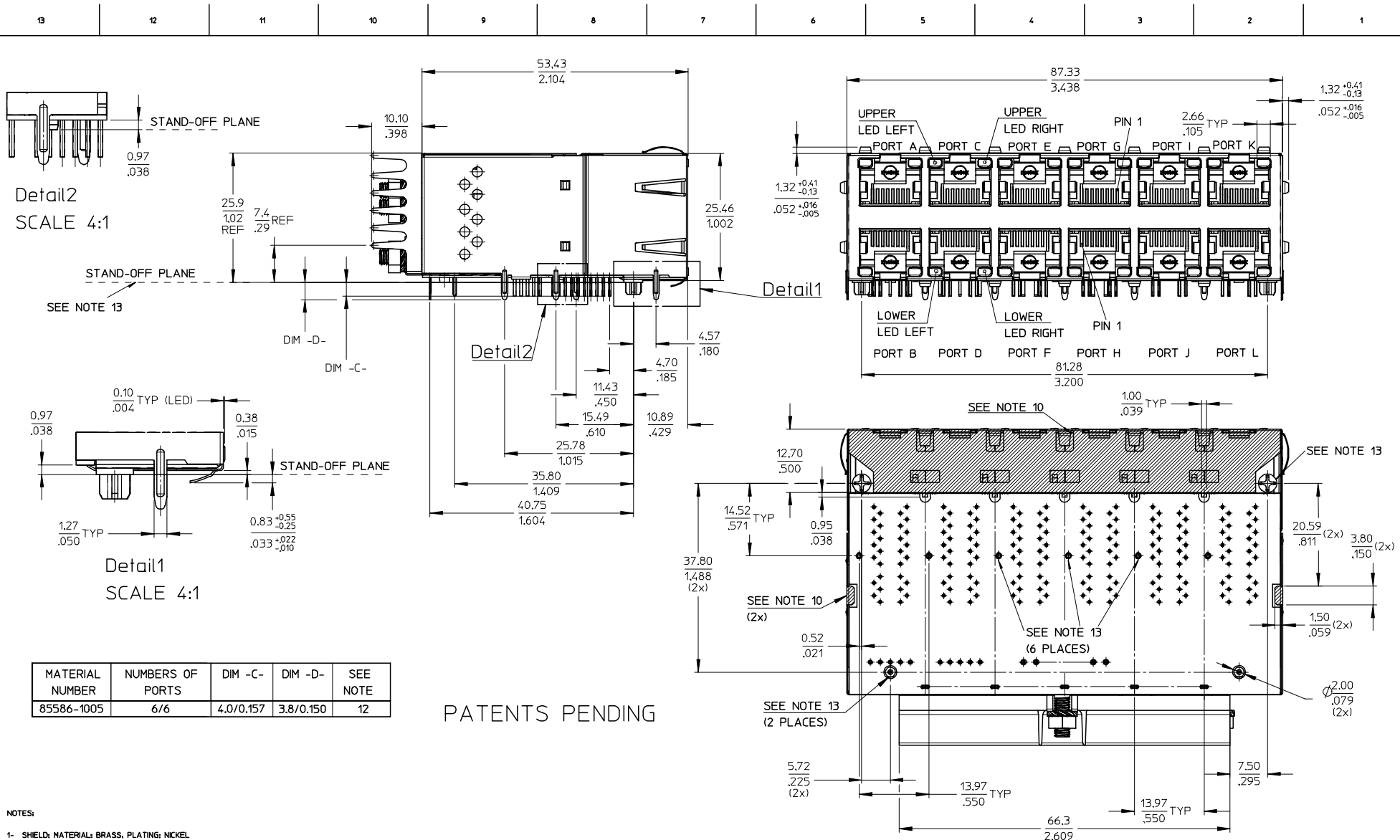
PK-85586-001

PS-85586-001

SD-85586-012

This document was generated on 06/08/2010

**PLEASE CHECK [WWW.MOLEX.COM](http://WWW.MOLEX.COM) FOR LATEST PART INFORMATION**



MATERIAL NUMBER	NUMBERS OF PORTS	DIM -C-	DIM -D-	SEE NOTE
85586-1005	6/6	4.0/0.157	3.8/0.150	12

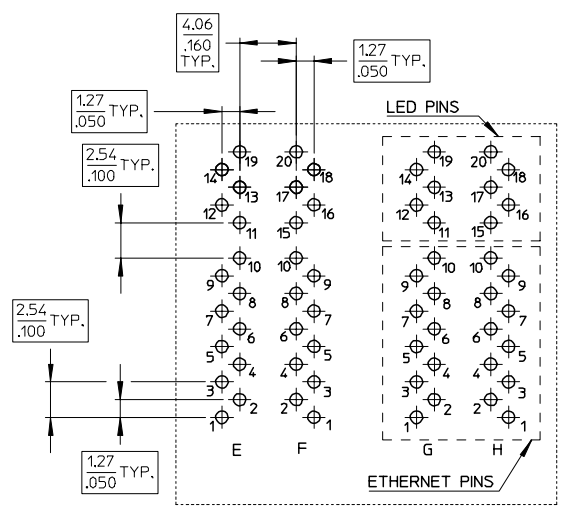
PATENTS PENDING

- NOTES:
- SHIELD: MATERIAL: BRASS, PLATING: NICKEL
  - HOUSING: MATERIAL: THERMOPLASTIC UL 94-V0, COLOR BLACK
  - TERMINAL: PHOSPHOR BRONZE  
PLATING:  
POSTPLATE OR SPOTPLATE 0.00127 / .00005 MIN GOLD OVER 0.00127 / .00005 MIN NICKEL IN CONTACT AREA  
0.00190 / .000075 MIN 100% TIN IN TAIL AREA, BOTH OVER 0.00127 / .000050 MIN NICKEL OVER ALL.
  - JACK TO BE MATCHED WITH F.C.C. 68.5 PLUGS (MOLEX-PLUGS: 85568,95043,90075-SERIES)
  - PRODUCT SPECIFICATION: PS-85586-001
  - PLEASE REQUEST MOLEX FOR A FRENCH INSTALLATION MANUAL IF DISTRIBUTED IN CANADA.
  - RECOMMENDED PCB LAYOUT AND PANEL CUT OUT SEE SHEET 2 AND 3
  - NO TRACES WITHOUT INSULATION ALLOWED ON BOARD PCB IN THIS DASHED AREAS UNDER THE METAL SHIELD
  - PIN LENGTH FOR RECOMMENDED PCB MAX. THICKNESS OF .140" REFER TO STANDARD IPC 610 REVISION C, CLASS 2
  - STAND-OFF PLANE TO CUSTOMER PCB
  - PACKAGING SPECIFICATION: PK-85586-001

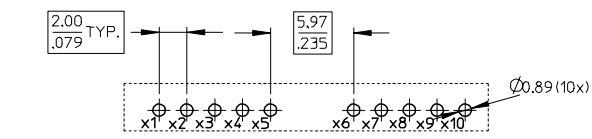
REV	DESCRIPTION	QUALITY SYMBOLS	GENERAL TOLERANCES (UNLESS SPECIFIED)		DIMENSION STYLE		SCALE	DESIGN UNITS	THIRD ANGLE PROJECTION
			mm	INCH	MM/IN	DATE			
2	EC NO. M62007-0091 DRAWN:RSCHIEBER 2007/03/19 CHKD:MARLT 2007/03/19 APPR:AVOGT 2007/03/26	4 PLACES ± --- ± --- 3 PLACES ± --- ± .006 2 PLACES ± 0.15 ± .01 1 PLACE ± 0.25 ± --- ANGULAR ± 5 °	DRAWN BY: RSCHIEBER DATE: 2005/12/08 CHECKED BY: SSTE INKE DATE: 2005/12/08 APPROVED BY: AVOGT DATE: 2005/12/08	DIMENSION STYLE: MM/IN SCALE: 2:1 DESIGN UNITS: METRIC THIRD ANGLE PROJECTION	<b>TITLE</b> HYPERJACK 1000 POE-MODULE WITH POWER OVER PIN (POP), SWAPPED PORTS		<b>MOLEX</b> MOLEX INCORPORATED	MATERIAL NO. SD-85586-012 DOCUMENT NO. SD-85586-012 SHEET NO. 1 OF 3	
DRAFT WHERE APPLICABLE MUST REMAIN WITHIN DIMENSIONS			SEE CHART		THIS DRAWING CONTAINS INFORMATION THAT IS PROPRIETARY TO MOLEX INCORPORATED AND SHOULD NOT BE USED WITHOUT WRITTEN PERMISSION				

13 12 11 10 9 8 7 6 5 4 3 2 1

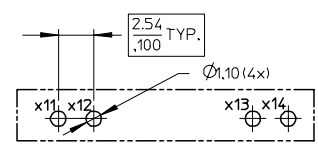
J I H G F E D C B A



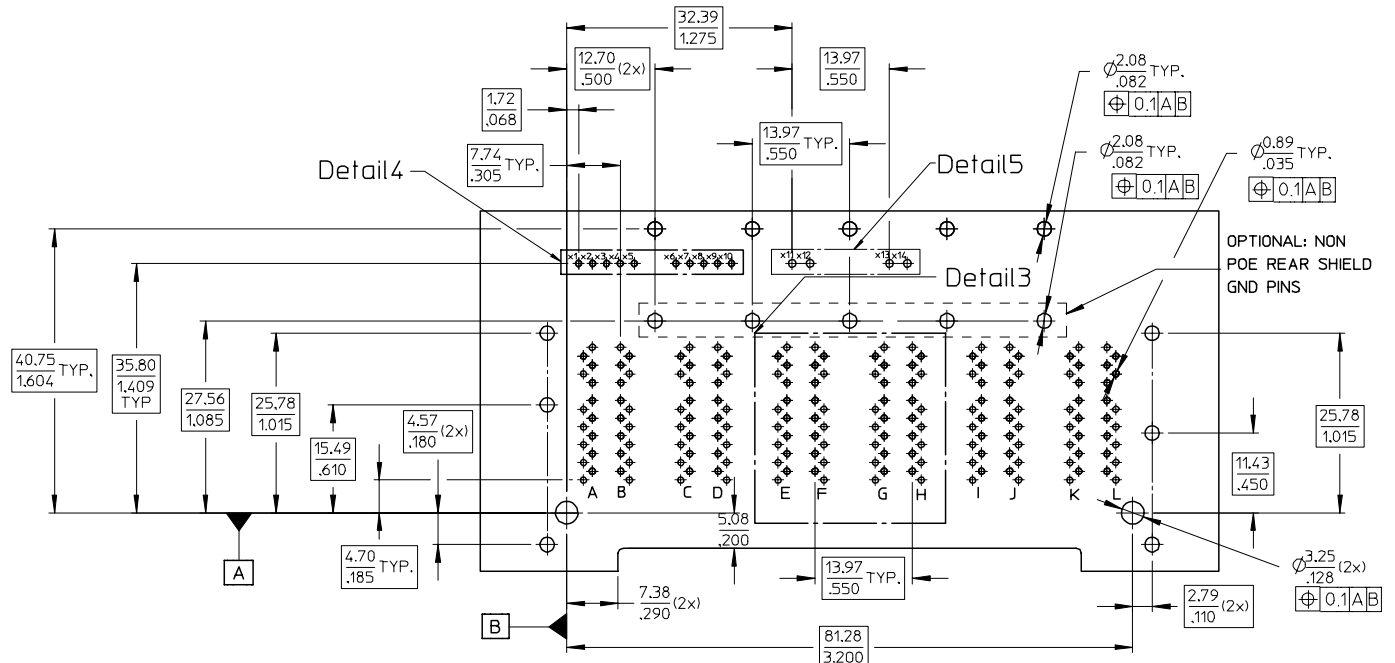
Detail3 SCALE 4:1  
PORTS E, F, G, H  
(THE SAME FOR ALL VERSIONS)



Detail4 SCALE 4:1  
POE PIN ARRANGEMENT



Detail5 SCALE 4:1  
POE PIN ARRANGEMENT



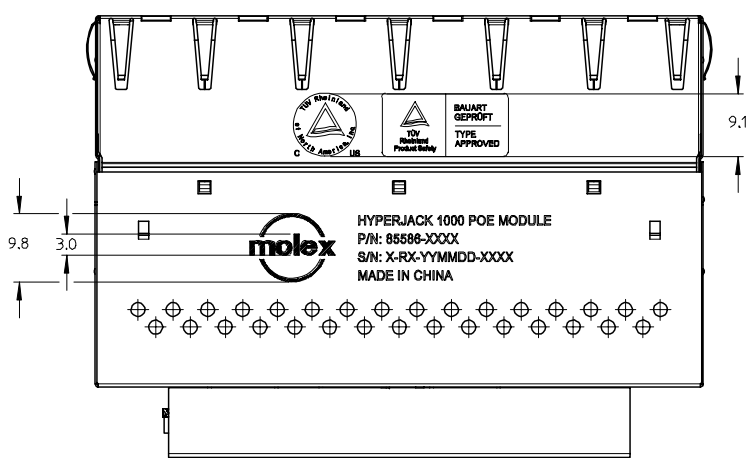
SUGGESTED PCB BOARD LAYOUT 2x6 VERSION, COMPONENT SIDE VIEW

PATENTS PENDING

EC NO: MG2007-0091 DRN:RSCHIEBER 2007/03/19 CHK:MARLT 2007/03/19 APPR:AVOGT 2007/03/26 REV:	QUALITY SYMBOLS ▽=0 ▽=0	GENERAL TOLERANCES (UNLESS SPECIFIED) 4 PLACES ± --- ± --- 3 PLACES ± --- ± .006 2 PLACES ± 0.15 ± .01 1 PLACE ± 0.25 ± --- ANGULAR ± 5 °	DIMENSION STYLE MM/IN	SCALE 2:1	DESIGN UNITS METRIC	THIRD ANGLE PROJECTION
	DRAWN BY RSCHIEBER	DATE 2005/12/08	CHECKED BY SSTE INKE	DATE 2005/12/08	APPROVED BY AVOGT	DATE 2005/12/08
MATERIAL NO. AVOGT	DATE 2005/12/08	MOLEX INCORPORATED	DOCUMENT NO. SD-85586-012	SHEET NO. 2 OF 3	THIS DRAWING CONTAINS INFORMATION THAT IS PROPRIETARY TO MOLEX INCORPORATED AND SHOULD NOT BE USED WITHOUT WRITTEN PERMISSION	

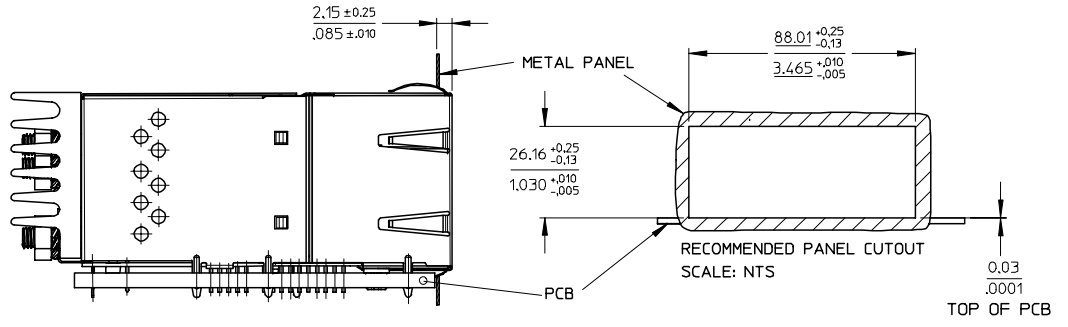
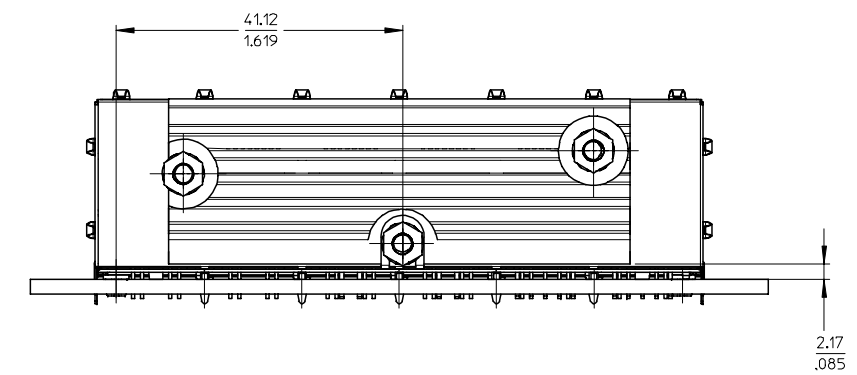
12 11 10 9 8 7 6 5 4 3 2 1

13 12 11 10 9 8 7 6 5 4 3 2 1



NOTES:

- 1 - MOLEX LOGO, TUV LOGO AND INSCRIPTION TO BE MARKED WITH LASER PRINTER
- 2 - INSCRIPTION:
  - 1st LINE: PART NAME
  - 2nd LINE: PART NUMBER
  - 3rd LINE: SERIES NUMBER -> MANUFACTURER ID - CONNECTOR REVISION - DATE CODE (YEAR, MONTH, DAY) - CONSECUTIVE NUMBER
  - 4th LINE: COUNTRY OF ORIGIN



PATENTS PENDING

EC NO: MG2007-0091 2007/03/19 DRW:RSCHIEBER CHK:MARLT 2007/03/19 APPR:AVOGT 2007/03/26 REV:	QUALITY SYMBOLS	GENERAL TOLERANCES (UNLESS SPECIFIED)	DIMENSION STYLE	SCALE	DESIGN UNITS	THIRD ANGLE PROJECTION	
	$\nabla=0$ $\nabla=0$	mm      INCH 4 PLACES ± --- ± --- 3 PLACES ± --- ± .006 2 PLACES ± 0.15 ± .01 1 PLACE ± 0.25 ± --- ANGULAR ± 5 °	MM/IN	2:1	METRIC	DRAWN BY: RSCHIEBER DATE: 2005/12/08 CHECKED BY: SSTE INKE DATE: 2005/12/08 APPROVED BY: AVOGT DATE: 2005/12/08	TITLE: HYPERJACK 1000 POE-MODULE WITH POWER OVER PIN (POP), SWAPPED PORTS MOLEX INCORPORATED
		DRAFT WHERE APPLICABLE MUST REMAIN WITHIN DIMENSIONS	SEE SHEET 1	DOCUMENT NO. SD-85586-012		SHEET NO. 3 OF 3	
				THIS DRAWING CONTAINS INFORMATION THAT IS PROPRIETARY TO MOLEX INCORPORATED AND SHOULD NOT BE USED WITHOUT WRITTEN PERMISSION			

12 11 10 9 8 7 6 5 4 3 2 1