

ELECTRICAL SPECIFICATIONS:

- | | |
|---|---|
| <p>1.0 TURNS RATIO: $(P6-P4-P3) : (J3-J6)$
 $(P8-P5-P7) : (J1-J2)$</p> | <p>: 1CT : 1CT ± 3%
 : 1CT : 1CT ± 3%</p> |
| <p>2.0 INDUCTANCE: $(P8-P7)$
 $(P3-P6)$</p> | <p>: 350uH MIN. @ 0.1V, 100KHz, 8mA DC Bias
 : 350uH MIN. @ 0.1V, 100KHz, 8mA DC Bias</p> |
| <p>3.0 LEAKAGE INDUCTANCE: P6-P3 (WITH J6 AND J3 SHORT)
 P8-P7 (WITH J2 AND J1 SHORT)</p> | <p>: 0.3 MAX. @ 1MHz
 : 0.3 MAX. @ 1MHz</p> |
| <p>4.0 INTERWINDING CAPACITANCE: $(P6,P4,P3)$ TO $(J6,J3)$
 $(P8,P5,P7)$ TO $(J2,J1)$</p> | <p>: 30pf MAX @ 1MHz
 : 30pf MAX. @ 1MHz</p> |
| <p>5.0 DC RESISTANCE: $(J6-J3)=(J2-J1)$</p> | <p>: 1.2 ohms Max.</p> |

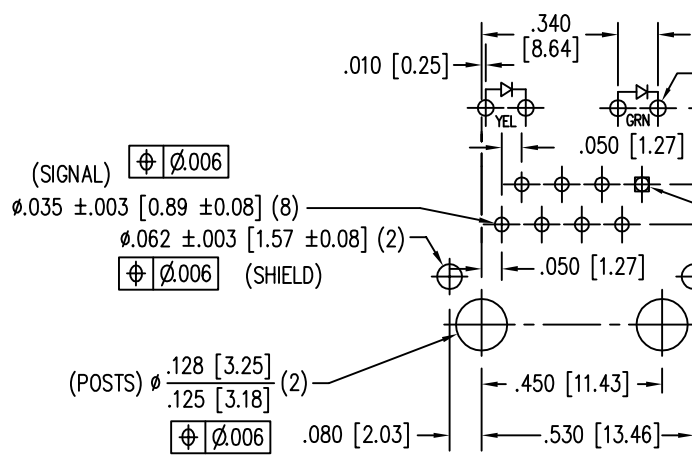
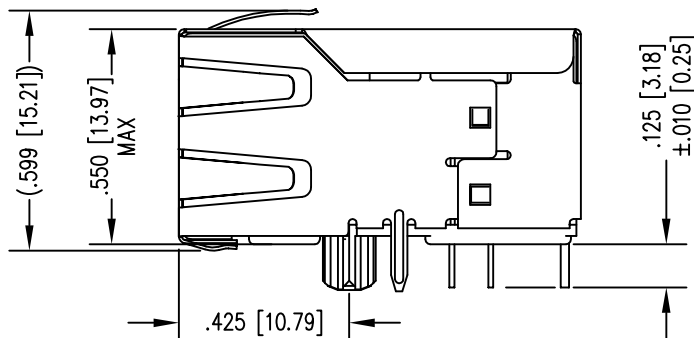
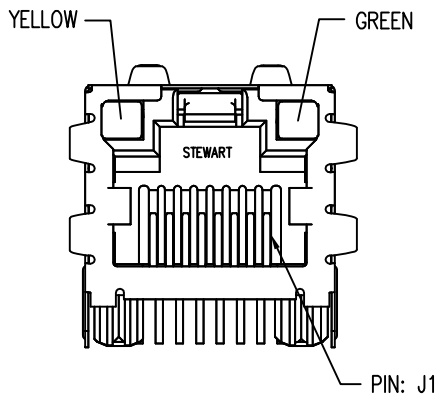
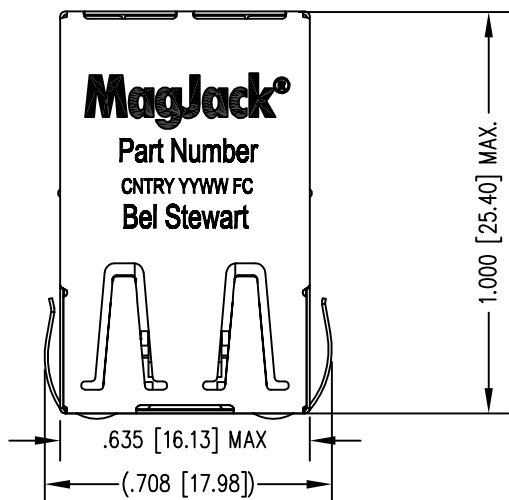
NOTE
1.0 P
CON

Bel Stewart C
11118 Susquehanna
Glen Rock, Pa 1732
717.234.7512

THIS DRAWING AND THE SUBJECT MATTER SHOWN THEREON ARE CONFIDENTIAL AND PROPERTY OF BEL STEWART CONNECTOR AND SHALL NOT BE REPRODUCED, COPIED, OR USED IN ANY MANNER WITHOUT PRIOR WRITTEN CONTENT OF BEL STEWART CONNECTOR. THE SUBJECT MATTER MAY BE PATENTED OR A PATENT MAY BE PENDING.

RECEIVE

- 6.0 RETURN LOSS: (P6-P3)=100 OHMS AND (P8-P7)=100 OHM REF.
1MHz TO 30MHz : 18dB MIN.
30MHz TO 80MHz : 12dB MIN.
NOTE: 100 OHMS CONNECTED TO (J2-J1) OR (J6-J3).
- 7.0 DIELECTRIC WITHSTAND: (J1, J2) TO (P8, P7) : 1500 VAC
(J3, J6) TO (P3, P6) : 1500 VAC
- 8.0 INSERTION LOSS: RS=RL=100 ohms : 1.1 dB TYP
100KHz TO 100MHz
- 9.0 RISE TIME: RS=100 OHMS AND RL = 100 OHMS : 3.0 nS MAX
OUTPUT VOLTAGE = 1 V peak : 3.0 nS MAX
PULSE WIDTH= 112nS
- 10.0 CROSS TALK: 1-100 MHz : 30 dB TYP
- 11.0 COMMON TO COMMON MODE ATTENUATION: 1MHz TO 100MHz : 35dB TYP



P.C.B. RECOMMENDED HOLE L
SEEN FROM COMPONENT S

ALL CENTERLINE DIMENSIONS AP

NOTES:

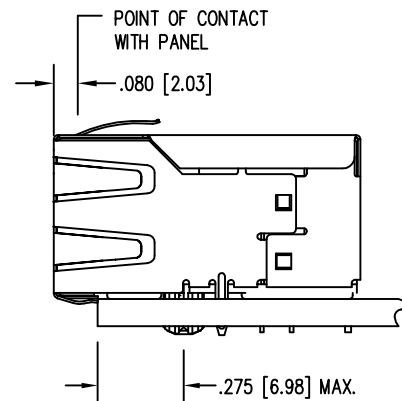
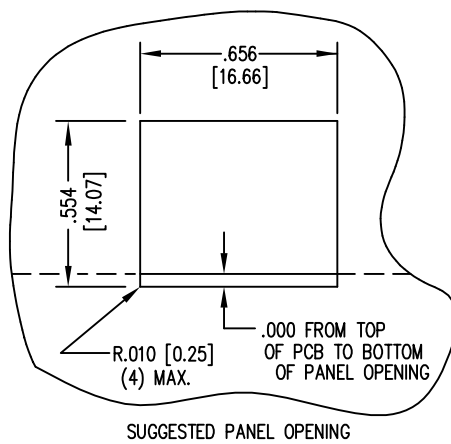
1. CONNECTOR MATERIALS:
HOUSING: THERMOPLASTIC
CONTACT/SHIELD: COPPER
SHIELD PLATING: NICKEL
CONTACT PLATING: SILVER
2. PIN NOT ELECTRICAL
SEE ELECTRICAL DRAWING
3. TOLERANCES COMPLIANT WITH MIL-STD-203
4. ALL TOLERANCES NOMINAL UNLESS OTHERWISE SPECIFIED
5. WAVE SOLDER COMPATIBLE
HIGH TEMPERATURE

LED SPECIFICATION			
STANDARD LED	WAVELENGTH	* Forward V (MAX)	(TYP)
GREEN	565 nm	2.5 V	2.1 V
YELLOW	590 nm	2.5 V	2.1 V

*WITH A FORWARD CURRENT OF 20 mA

Bel Stewart Connector
11118 Susquehanna
Glen Rock, Pa 17322
717.234.7512

THIS DRAWING AND THE SUBJECT MATTER SHOWN THEREON ARE CONFIDENTIAL AND PROPERTY OF BEL STEWART CONNECTOR AND SHALL NOT BE REPRODUCED, COPIED, OR USED IN ANY MANNER WITHOUT PRIOR WRITTEN CONTENT OF BEL STEWART CONNECTOR. THE SUBJECT MATTER MAY BE PATENTED OR A PATENT MAY BE PENDING.



1. THE SUGGESTED PANEL OPENING IS INTENDED TO GIVE THE USER A REASONABLE JAW OPENING YET MAINTAIN RIGIDITY AND CAPABILITY.
2. ALL TOLERANCES UNLESS OTHERWISE SPECIFIED TO BE ± 0.005 [0.127] MAX.