

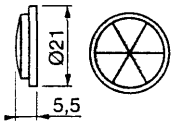
Photo-electric detectors

Accessories

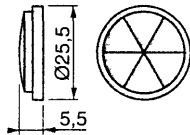
Dimensions

References
pages 2/118 to 2/120

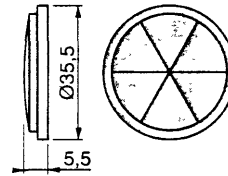
Reflectors XUZ-C16



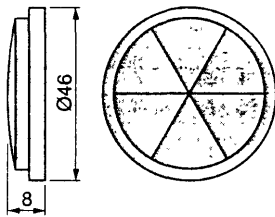
XUZ-C21



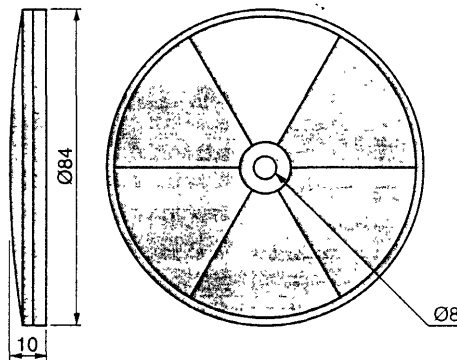
XUZ-C31



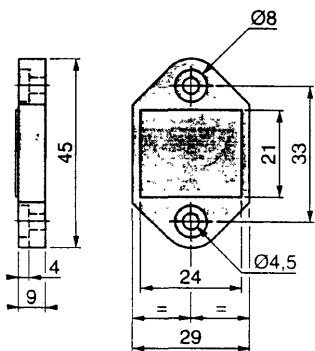
XUZ-C39



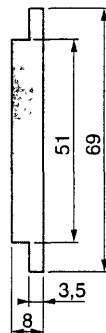
XUZ-C80



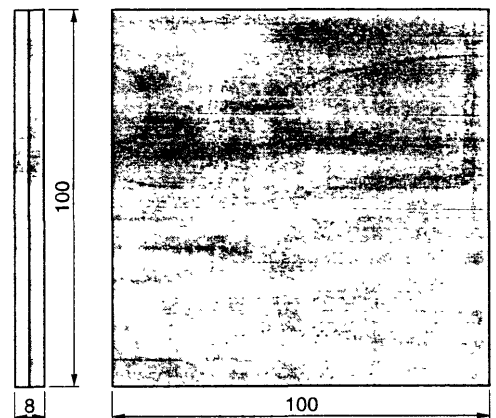
XUZ-C24



XUZ-C50



XUZ-C100



(1) 2 elongated holes $\text{O } 4 \times 8$