

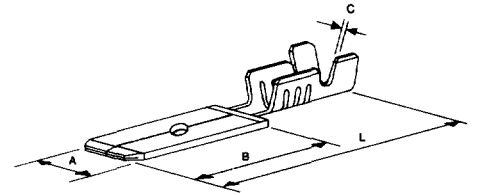
## FEATURES AND SPECIFICATIONS

### Features and Benefits

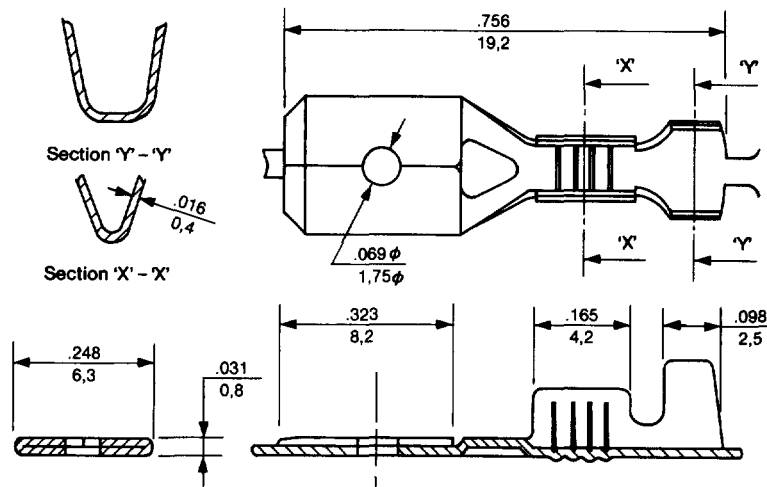
- Wire range from 0.50 through 1.00mm<sup>2</sup> to 4.00 through 6.00mm<sup>2</sup>
- Insulation range from 2.00 through 3.30Ømm to 3.80 through 5.10Ømm
- These are manufactured to a high standard to mate with our standard Qik Connect Receptacles for optimum fit and performance

**molex**® Quick Connect  
Tab

**6.30 by 0.80mm  
(.250 by .032")**



Available Primarily in Europe—Distributed by Molex Incorporated, not Molex-ETC™



## ORDERING INFORMATION AND DIMENSIONS

Wire Size AWG (mm <sup>2</sup> )	Insulation Range	Order No.*		Dimension			
		Brass/Plain	Brass/Tin	A	B	C	L
18-20 (0.50-1.00)	2.00-3.30 (.079-.130)	94030-4550	94030-4551	6.30 (.248)	8.20 (.323)	0.40 (.016)	19.20 (.756)
14-18 (1.00-2.50)	2.70-4.30 (.106-.169)	94030-4560	94030-4561	6.30 (.248)	8.20 (.323)	0.40 (.016)	19.20 (.756)
10-11 (4.00-6.00)	3.80-5.10 (.150-.201)	94030-4570	94030-4571	6.30 (.248)	8.20 (.323)	0.40 (.016)	19.20 (.756)

\* Contact factory to obtain order no. for Phosphor Bronze/Plain and Phosphor Bronze/Tin



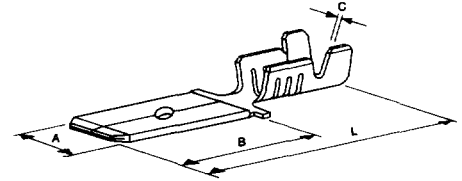
## FEATURES AND SPECIFICATIONS

### Features and Benefits

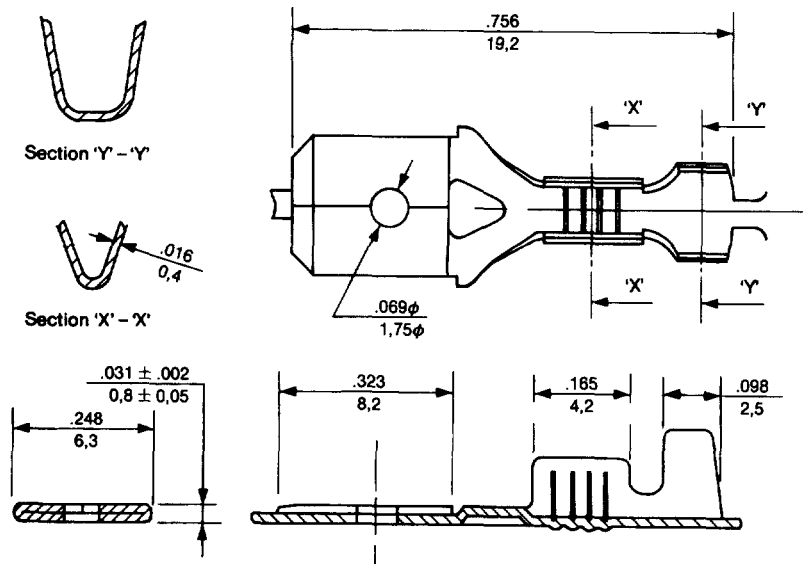
- Wire range from 0.50 through 1.00mm<sup>2</sup> to 4.00 through 6.00mm<sup>2</sup>
- Insulation range from 2.00 through 3.30Ømm to 3.80 through 5.10Ømm

**molex**® Quick Connect  
Tab

**6.30 by 0.80mm  
(.250 by .032")**



Available Primarily in Europe—Distributed by Molex Incorporated, not Molex-ETC™



## ORDERING INFORMATION AND DIMENSIONS

Wire Size AWG (mm <sup>2</sup> )	Insulation Range	Order No.*		Dimension			
		Brass/Plain	Brass/Tin	A	B	C	L
18-20 (0.50-1.00)	2.00-3.30 (.079-.130)	94030-4100	94030-4101	6.30 (.248)	8.20 (.323)	0.40 (.016)	19.20 (.756)
14-18 (1.00-2.50)	2.70-4.30 (.106-.169)	94030-4110	94030-4111	6.30 (.248)	8.20 (.323)	0.40 (.016)	19.20 (.756)
10-11 (4.00-6.00)	3.80-5.10 (.150-.201)	94030-4120	94030-4121	6.30 (.248)	8.20 (.323)	0.40 (.016)	19.20 (.756)

\* Contact factory to obtain order no. for Phosphor Bronze/Plain and Phosphor Bronze/Tin

