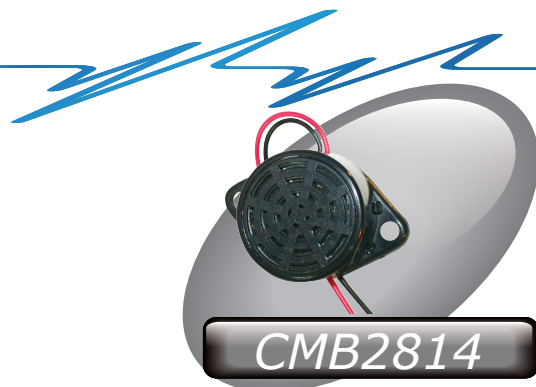
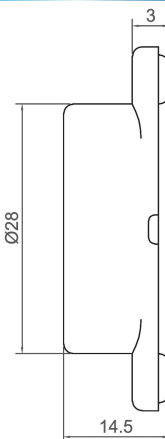
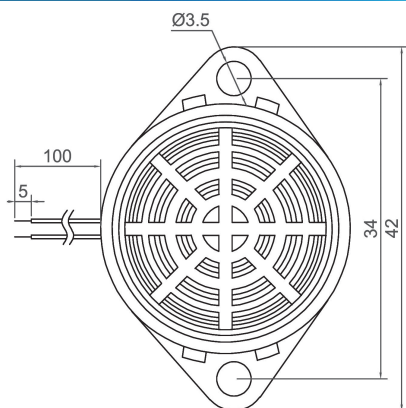
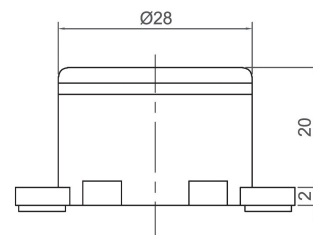
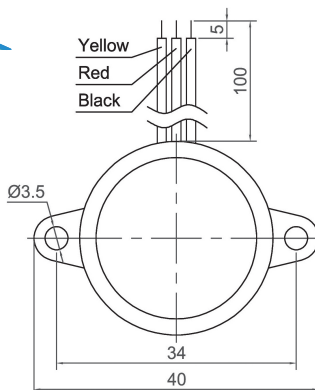


# Magnetic Buzzer (DC)



Canopus Part no.	Operating Voltage (VDC)	Rated Voltage (VDC)	Max Rated Current (mA)	Min Sound Output (dBA)	Resonant Frequency (Hz)	Tone Nature	Operating Temperature (°C)	Housing	Terminal	Weight (g)
CMB2814FC28BW	4 ~ 9	6	35	85 at 10cm	2800±200	Continuous	-20 ~ +60	ABS	Leadwire	17
CMB2814GC28BP	6 ~ 11	9	40	85 at 10cm	2800±200	Continuous	-20 ~ +60	ABS	Pin	17
CMB2814HC28BW	9 ~ 15	12	40	90 at 10cm	2800±200	Continuous	-20 ~ +60	ABS	Wire/Pin	17
CMB2814HC28BW-001	4 ~ 15	12	15	85 at 10cm	2800±200	Continuous	-20 ~ +60	ABS	Wire/Pin	17
CMB2814IC28BW	15 ~ 24	24	20	90 at 10cm	2800±200	Continuous	-20 ~ +60	ABS	Wire/Pin	17



Canopus Part no.	Operating Voltage (VDC)	Rated Voltage (VDC)	Max Rated Current (mA)	Min Sound Output (dBA)	Resonant Frequency (Hz)	Tone Nature	Operating Temperature (°C)	Housing	Terminal	Weight (g)
CMB2820AD28BW	1 ~ 3	1.5	5	70 at 10cm	2800±200	Pulse	-20 ~ +60	ABS	Leadwire	10
CMB2820CC28BW	2 ~ 5	3	35	85 at 10cm	2800±200	Continuous	-20 ~ +60	ABS	Wire/Pin	10
CMB2820FC28BW	4 ~ 9	6	35	90 at 10cm	2800±200	Continuous	-20 ~ +60	ABS	Wire/Pin	10
CMB2820FCD28BW	4 ~ 9	6	35	85 at 10cm	2800±200	Continuous / Pulse	-20 ~ +60	ABS	Leadwire	10
CMB2820GC28BW	6 ~ 11	9	40	90 at 10cm	2800±200	Continuous	-20 ~ +60	ABS	Leadwire	10
CMB2820GD28BW	6 ~ 11	9	10	80 at 10cm	2800±200	Pulse	-20 ~ +60	ABS	Leadwire	10
CMB2820HC28BW	9 ~ 15	12	40	95 at 10cm	2800±200	Continuous	-20 ~ +60	ABS	Wire/Pin	10
CMB2820HC28BW-001	4 ~ 15	12	15	90 at 10cm	2800±200	Continuous	-20 ~ +60	ABS	Wire/Pin	10
CMB2820HCD28BW	8 ~ 15	12	40	80 at 10cm	2800±200	Continuous / Pulse	-20 ~ +60	ABS	Leadwire	10
CMB2820HD28BW	8 ~ 15	12	15	85 at 10cm	2800±200	Pulse	-20 ~ +60	ABS	Wire/Pin	10
CMB2820IC28BW	15 ~ 28	24	25	95 at 10cm	2800±200	Continuous	-20 ~ +60	ABS	Wire/Pin	10
CMB2820ID28BW	15 ~ 28	24	20	85 at 10cm	2800±200	Pulse	-20 ~ +60	ABS	Wire/Pin	10

CANOPUS

Your Efficient Supplier  
[www.canopus.com.hk](http://www.canopus.com.hk)

TEL.: (852) 2806 2812

Fax: (852) 2652 2216