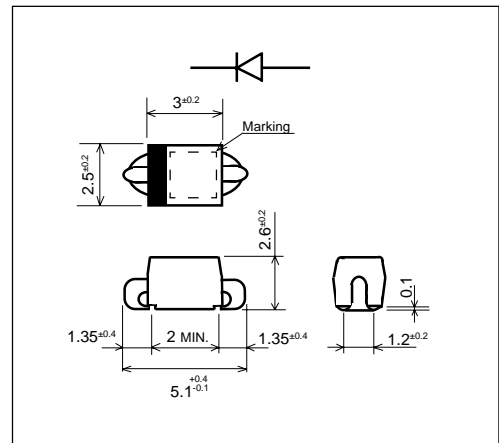


# SC802-04 (1A)

(40V / 1A)

## SCHOTTKY BARRIER DIODE

### Outline drawings, mm



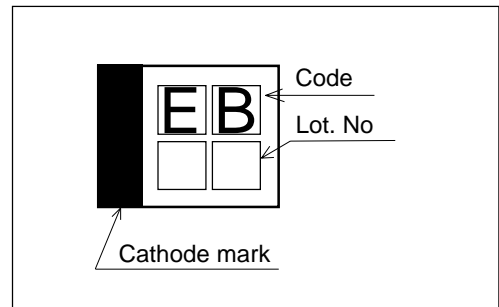
### Features

- Surface-mount device
- Low  $V_F$
- Super high speed switching
- High reliability by planer design

### Applications

- High speed switching

### Marking



### Maximum ratings and characteristics

- Absolute maximum ratings

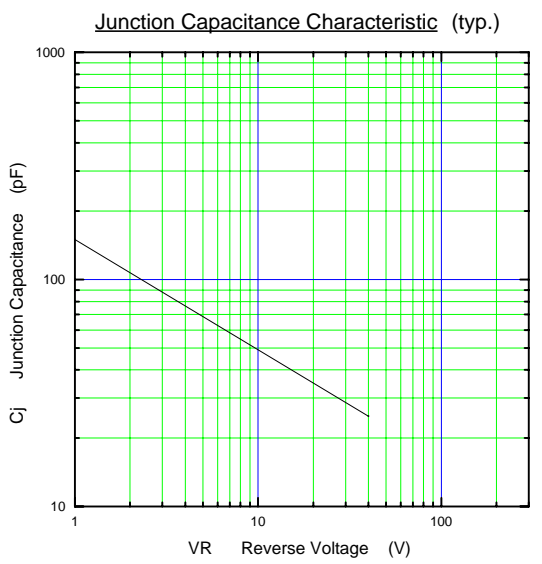
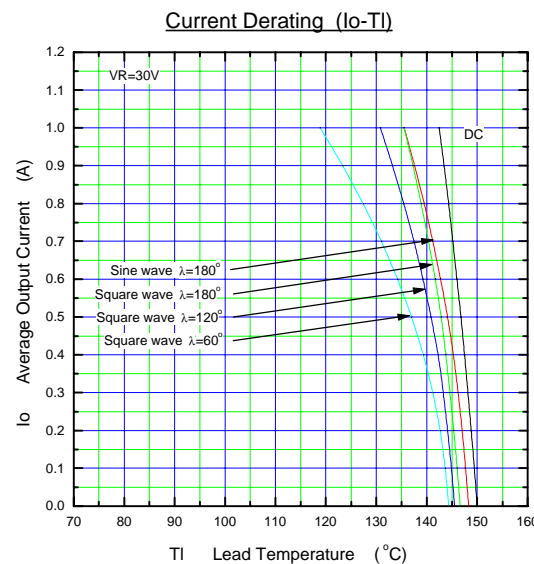
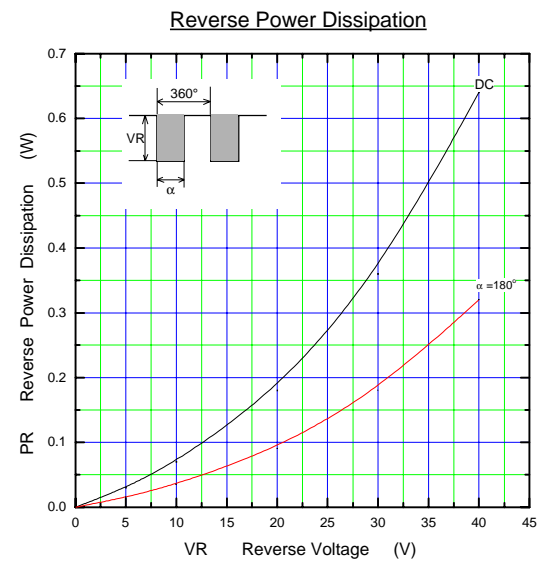
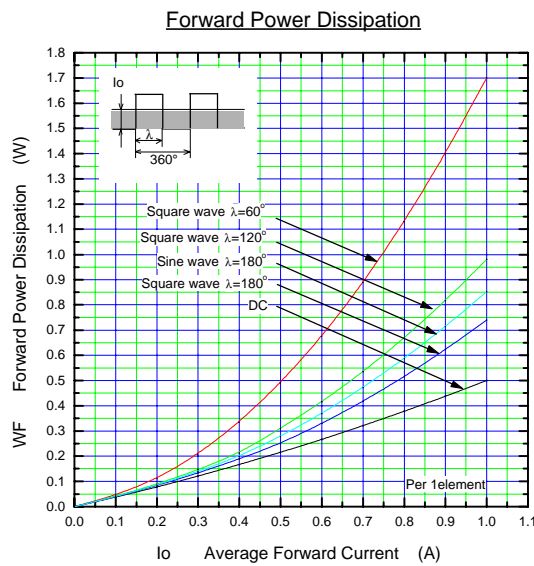
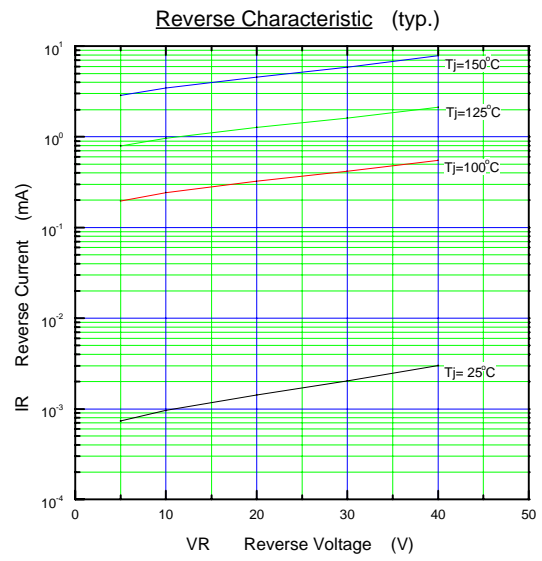
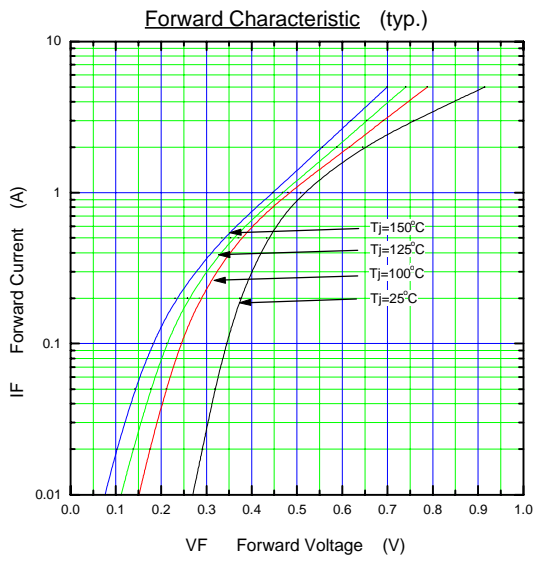
Item	Symbol	Conditions	Rating	Unit
Repetitive peak reverse voltage	$V_{RRM}$		40	V
Non-repetitive peak reverse voltage	$V_{RSM}$	$t_w=500\text{ns}$ , $\text{duty}=1/40$	48	V
Average output current	$I_o$	Resistive load $T_I=115^\circ\text{C}$	1.0*	A
Surge current	$I_{FSM}$	Sine wave 10ms	40	A
Operating junction temperature	$T_j$		-40 to +150	$^\circ\text{C}$
Storage temperature	$T_{stg}$		-40 to +150	$^\circ\text{C}$

\* Mounted on printed circuit board (15 x 15mm)

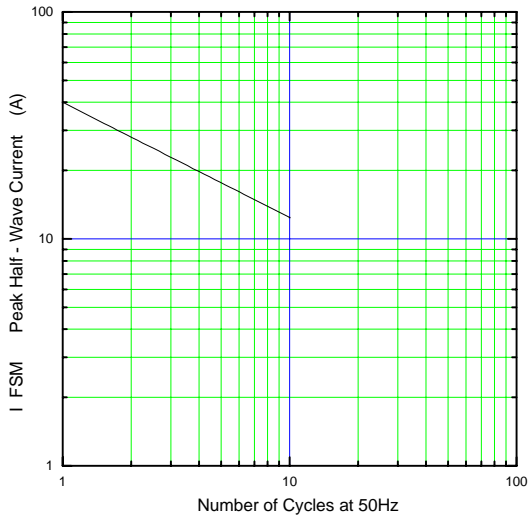
- Electrical characteristics ( $T_a=25^\circ\text{C}$  Unless otherwise specified)

Item	Symbol	Conditions	Max.	Unit
Forward voltage drop	$V_{FM}$	$I_{FM}=1\text{A}$	0.55	V
Reverse current	$I_{RRM}$	$V_R=V_{RRM}$	2.0	mA
Thermal resistance	$R_{th(j-l)}$	Junction to lead	15*	$^\circ\text{C}/\text{W}$

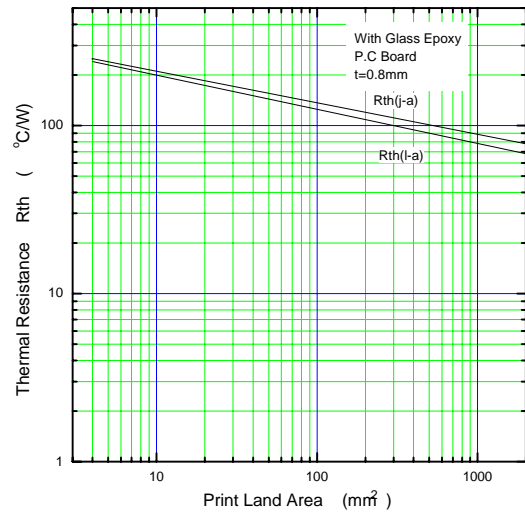
■ Characteristics



Surge Capability



Thermal Resistance Print Land



Transient Thermal Impedance

