

PLEASE CHECK WWW.MOLEX.COM FOR LATEST PART INFORMATION

Part Number: [0511981000](#)
Status: **Active**
Description: 2.50mm (.098") Pitch Wire-to-Wire Plug Housing, Positive Lock, Panel Mount, 10 Circuits

Documents:

[3D Model](#) [Product Specification PS-51198-003 \(PDF\)](#)
[Drawing \(PDF\)](#) [RoHS Certificate of Compliance \(PDF\)](#)

Agency Certification

CSA	LR19980
TUV	R72081037
UL	E29179

General

Product Family	Crimp Housings
Series	51198
Product Name	N/A

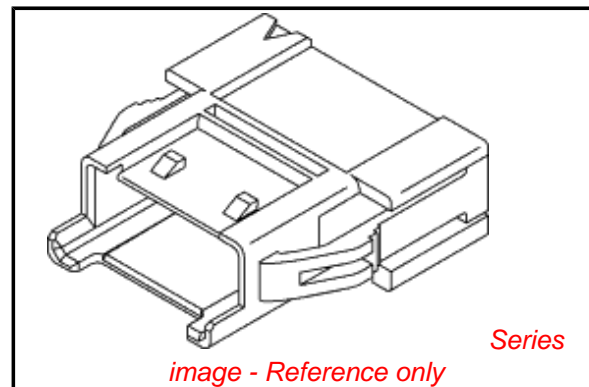
Physical

Circuits (maximum)	10
Color - Resin	Natural
Flammability	94V-0
Gender	Male
Glow-Wire Compliant	No
Material - Resin	Polyester
Number of Rows	1
Packaging Type	Bag
Panel Mount	Yes
Pitch - Mating Interface (in)	0.098 In
Pitch - Mating Interface (mm)	2.50 mm
Stackable	No
Temperature Range - Operating	-40°C to +105°C

Material Info

Reference - Drawing Numbers

Product Specification	PS-51198-003
Sales Drawing	SD-51198-002



EU RoHS

ELV and RoHS Compliant
REACH SVHC Contains SVHC: No
Halogen-Free Status
Not Reviewed

China RoHS



Need more information on product environmental compliance?

Email productcompliance@molex.com
 For a multiple part number RoHS Certificate of Compliance, [click here](#)

Please visit the [Contact Us](#) section for any non-product compliance questions.

Search Parts in this Series

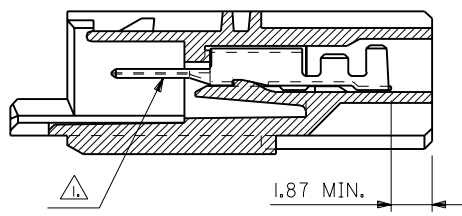
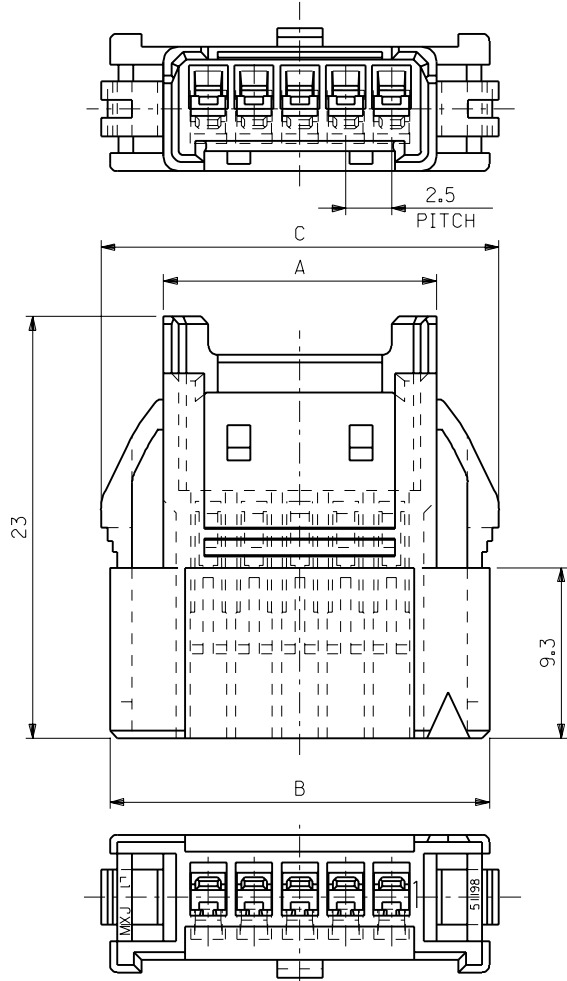
[51198Series](#)

Mates With

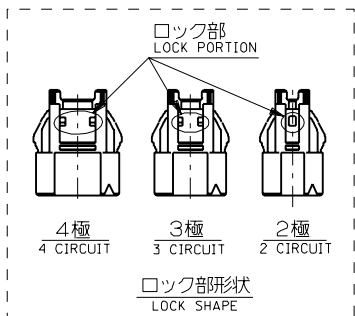
[51103](#)

Use With

[50837](#)

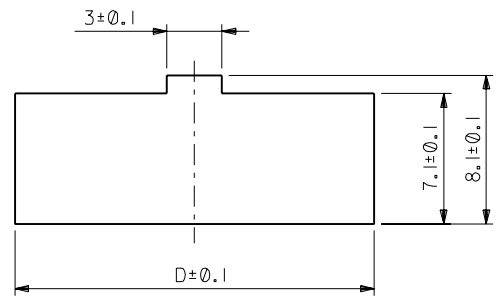


ターミナル装着状態図
TERMINAL ASSEMBLY DRAWING



注記
NOTES.

- 1. 適合端子 : 50837-8*00 APPLICABLE TERMINAL
- 2. 本図は、5極を示す。
5 CIRCUIT VERSION IS SHOWN IN THIS DRAWING.
- 3. ハウジングは、パネル打ち抜き側から挿入すること。
INSERT HOUSING FROM PUNCH SIDE OF PANEL



参考パネルスロット寸法
PANEL SLOT DIM.(REF.)
(パネル厚: 0.8 ~ 2.0)
(THICKNESS : 0.8 ~ 2.0)

44.6	46.7	45.7	39.9	51198-1500	15
42.1	44.2	43.2	37.4	-1400	14
39.6	41.7	40.7	34.9	-1300	13
37.1	39.2	38.2	32.4	-1200	12
34.6	36.7	35.7	29.9	-1100	11
32.1	34.2	33.2	27.4	-1000	10
29.6	31.7	30.7	24.9	-0900	9
27.1	29.2	28.2	22.4	-0800	8
24.6	26.7	25.7	19.9	-0700	7
22.1	24.2	23.2	17.4	-0600	6
19.6	21.7	20.7	14.9	-0500	5
17.1	19.2	18.2	12.4	-0400	4
14.6	16.7	15.7	9.9	-0300	3
12.1	14.2	13.2	7.4	51198-0200	2
D	C	B	A	製品番号 MATERIAL NO.	NO. OF CIRCUIT

DO NOT SCALE DRAWING

EC NO. DRWN: CHK: APPR:	EC NO. DRWN: CHK: APPR:	EC NO. DRWN: CHK: APPR:	変 更 REVIS ED EC No. JD2000-0620 DRWN: M. YAGI '99/12/16 CHK: S. CHIKAWA/Y. ITO APPR: H. IKESUGI	MATERIAL 材料 ポリエステル(PBT) POLYESTER 色: 白 COLOR: WHITE UL94V-0	GENERAL TOLERANCES: (UNLESS SPECIFIED) 一般公差	SCALE 4-1	DESIGN UNITS <input checked="" type="checkbox"/> mm <input type="checkbox"/> INCH	THIRD ANGLE PROJECTION <input type="checkbox"/> mm <input type="checkbox"/> INCH <input checked="" type="checkbox"/> mm ONLY	SHT REV	REVISE ON CAD ONLY											
			新規作成 RELEASED EC No. JD90181 DRWN: M. YAGI '98/05/14 CHK: Y. ITO APPR: H. IKESUGI																		
INS. RANGE 被覆外径	REV	DESCRIPTION	FINISH 仕上げ	WIRE RANGE 適用線径範囲	ANGLE 角度	10 UNDER 未満	10 OVER 以上	30 UNDER 未満	30 OVER 以上	±0.2	±0.25	±0.3	±3°	DRAWN BY & DATE 9/98/05/14	CHECKED BY & DATE 3/06	APPROVED BY & DATE 3/06	TITLE: 2.5 WIRE TO BOARD CONN. PANEL MOUNT HS'G	MOLEX MOLEX INCORPORATED	MATERIAL NO. SEE CHART	DRAWING NO. SD-51198-002	SHEET NO. 1 OF 1