

PLEASE CHECK WWW.MOLEX.COM FOR LATEST PART INFORMATION

Part Number: [0672982191](#)

Status: **Active**

Description: Universal Serial Bus (USB) Shielded I/O Receptacle, Right Angle, Dual Stacked, Type A, 0.76µm (30µ") Gold (Au) Plating, Black Housing, with 2 Beveled Metal Pins, Tape and Reel Package, Lead Free

Documents:

[3D Model](#)

[Test Summary \(PDF\)](#)

[Drawing \(PDF\)](#)

[Product Specification PS-67298-002 \(PDF\)](#)

[RoHS Certificate of Compliance \(PDF\)](#)

General

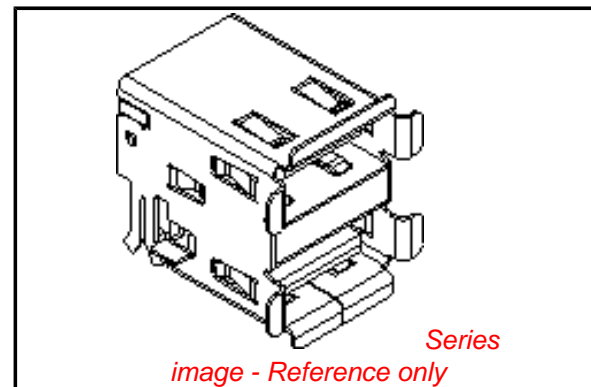
Product Family	I/O Connectors
Series	67298
Application	Wire-to-Board
Comments	2 Beveled Metal Pins
Component Type	Receptacle
Product Name	USB
Type	A

Physical

Boot Color	N/A
Circuits (Loaded)	8
Circuits (maximum)	8
Gender	Receptacle
Keying to Mating Part	Yes
Lock to Mating Part	Yes
Material - Plating Mating	Gold
Material - Plating Termination	Tin
Number of Rows	2
Orientation	Right Angle
PC Tail Length (in)	0.079 In
PC Tail Length (mm)	2.00 mm
PCB Locator	Yes
PCB Retention	Yes
PCB Thickness Recommended (in)	0.047 In
PCB Thickness Recommended (mm)	1.20 mm
Packaging Type	Embossed Tape on Reel
Panel Mount	Yes
Pitch - Mating Interface (in)	0.079 In, 0.098 In
Pitch - Mating Interface (mm)	2.00 mm, 2.50 mm
Pitch - Term. Interface (in)	0.079 In, 0.098 In
Pitch - Term. Interface (mm)	2.00 mm, 2.50 mm
Plating min: Mating (µin)	30
Plating min: Mating (µm)	0.76
Polarized to Mating Part	Yes
Polarized to PCB	Yes
Ports	2
Surface Mount Compatible (SMC)	No
Temperature Range - Operating	0°C to +50°C
Termination Interface: Style	Through Hole
Waterproof / Dustproof	No

Electrical

Current - Maximum per Contact	1.5A
Shield Type	Full Shield



EU RoHS

**ELV and RoHS
Compliant**

REACH SVHC

Not Reviewed

Halogen-Free

Status

Not Reviewed

**Need more information on product
environmental compliance?**

Email productcompliance@molex.com
For a multiple part number RoHS Certificate of
Compliance, [click here](#)

Please visit the [Contact Us](#) section for any
non-product compliance questions.

China RoHS



Search Parts in this Series

[67298Series](#)

Mates With

USB Type A Plug

Shielded
Voltage - Maximum

Yes
30V DC

Material Info

Reference - Drawing Numbers

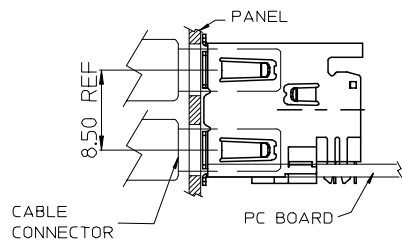
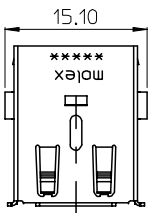
Product Specification
Sales Drawing

PS-67298-002
SD-67298-007

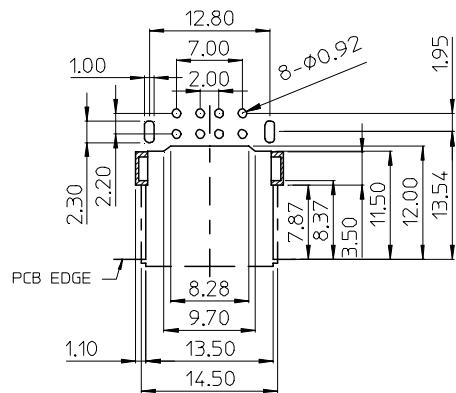
This document was generated on 03/31/2010

PLEASE CHECK WWW.MOLEX.COM FOR LATEST PART INFORMATION

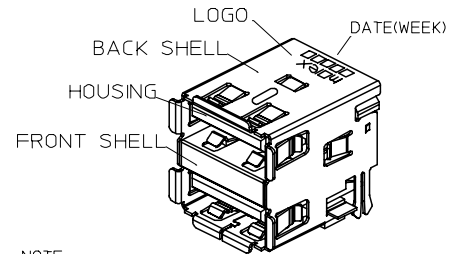
E



RECESSED MOUNTING CONFIGURATION



RECOMMENDED PCB LAYOUT COMPONENT SIDE VIEW

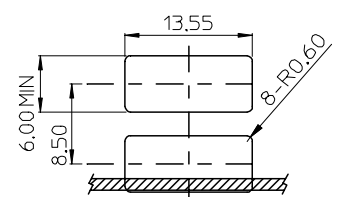
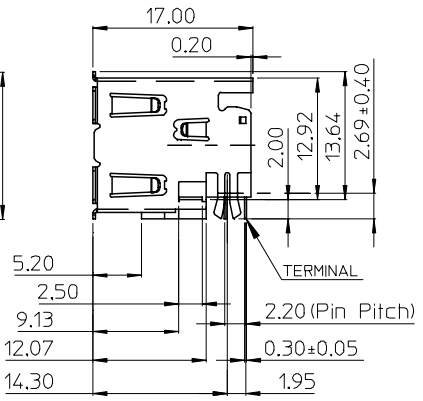
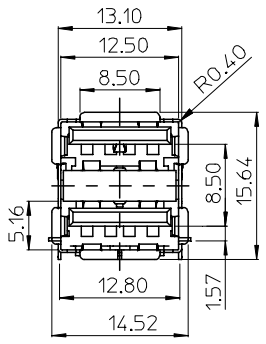


NOTE:

1. MATERIAL:
HOUSING: NYLON GLASS-FIBER REINFORCED, UL94-V0, COLOR: BLACK.
TERMINAL: PHOSPHOR BRONZE.
METAL SHELL: FRONT SHELL: SUS 304
BACK SHELL: BRASS
2. PLATING:
TERMINAL:
CONTACT AREA: SEE TABLE
SOLDER TAIL: TIN PLATED (Sn) ALLOY, THICKNESS=75 MICROINCH MIN.
UNDERPLATE: NICKEL (Ni), THICKNESS=50 MICROINCH MIN.
SURFACE APPEARANCE: BRIGHT.
METAL SHELL:
TIN PLATED (Sn) AT SOLDER AREA
THICKNESS=100 MICROINCH MINIMUM.
UNDER PLATE: NICKEL (Ni), (SOLDERING AVAILABLE)
THICKNESS=50 MICROINCH MINIMUM.
SURFACE APPEARANCE: BRIGHT.
3. RECOMMENDED PCB THICKNESS: 1.20±0.05MM
4. PRODUCT SPECIFICATION: REFER TO PS-67998-002
5. TEST SUMMARY: REFER TO TS-67298-007
6. PACKAGING SPECIFICATION:
REFER TO PK-67298-003 FOR TRAY,
REFER TO PK-67298-004 FOR TAPE & REEL.
7. LEAD FREE AND ROHS COMPLIANCE PRODUCT
8. FOR IR REFLOW PROCESS
9. WEEK CODE XXXXX



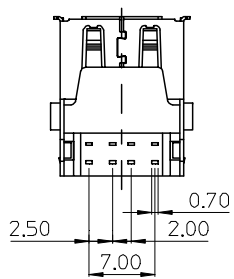
D



MOUNTING PANEL CUTOUT (INTERNAL SIDE)

C

B



PART NUMBER LEGEND

P/N	CONTACT PLATING	PACKAGE
67298-2090	GOLD FLASH	TRAY
67298-2091	30 MICROINCH GOLD	TRAY
67298-2190	GOLD FLASH	TAPE & REEL
67298-2191	30 MICROINCH GOLD	TAPE & REEL

L/F FOR 67298	DESCRIPTION
EC NO: SH20050529297	2005/05/06
DRWN: JCHEN12	2005/05/10
CHKD: CHKD:	2005/05/10
APPR: MWSCHANG	2005/05/10
REV	

QUALITY SYMBOLS
▽=0
∇=0

GENERAL TOLERANCES (UNLESS SPECIFIED)	DIMENSION STYLE	
	mm	INCH
4 PLACES	± ---	± ---
3 PLACES	± ---	± ---
2 PLACES	± 0.25	± ---
1 PLACE	± 0.25	± ---
ANGULAR ± 3 °		
DRAFT WHERE APPLICABLE MUST REMAIN WITHIN DIMENSIONS		

DIMENSION STYLE	
MM ONLY	SCALE
DRAWN BY	DATE
IVY-LIN	05/04/18
CHECKED BY	DATE
ALLEN	05/04/18
APPROVED BY	DATE
MWSCHANG	05/04/18
MATERIAL NO.	SEE TABLE
SIZE	THIS DRAWING CONTAINS INFORMATION THAT IS PROPRIETARY TO MOLEX INCORPORATED AND SHOULD NOT BE USED WITHOUT WRITTEN PERMISSION

SCALE	DESIGN UNITS	THIRD ANGLE PROJECTION
	METRIC	
TITLE		
USB DUAL STACKED A CONNECTOR (LEAD FREE VERSION)		
MOLEX MOLEX INCORPORATED		
DOCUMENT NO.	SHEET NO.	
SD-67298-007	1 OF 1	

A