



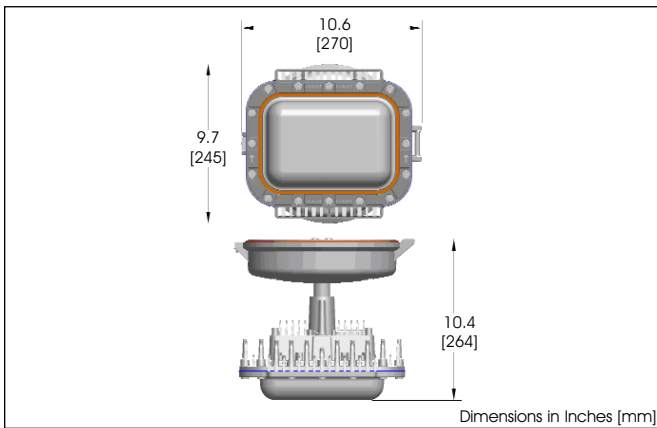
SafeSite® LED Area Light with Retrofit Adapter Kit

Application:

The SafeSite® LED area light saves at least 50% energy compared to traditional HID light sources, while reducing maintenance and carbon emissions in Class I, Div 2 applications. This light incorporates both cutting edge LED technology along with proprietary optics to achieve area lighting comparable with other traditional light sources.

Whether your application is in a refinery, oil platform, chemical plant or any other Class I, Div 2 application, the LED area light offers long life and requires minimal maintenance, improving safety and reliability.

The SafeSite LED Area Light with Retrofit Adapter Kit Luminaire is designed for installations where the fixture to be replaced is installed in compliance with all required codes. Installing the SafeSite LED Retrofit Luminaire is compliant with electrical codes and standards and will not void UL listings when installed in accordance with provided installation instructions.



Certifications

- Class I, Div 2, Groups A,B,C,D
- UL 1598/A
- CSA 22.2 No. 137-M1981
- IP66 (pending)
- NEMA 4X (pending)

Features & Benefits

- 5 year full performance warranty
- Instant on/off operation
- Universal input (100-277 VAC), 50/60Hz
- Mercury free
- Resistant to shock and vibration
- Temperature compensation technology for longer life
- L70 rated for >100,000 hours @ 25°C
- Factory sealed
- Low T rating compared to traditional fixtures

Temperature Ratings	
Ambient Temperature Range T4a Temperature Code	Ambient Temperature Range T5 Temperature Code
-40°F to +149°F (-40°C to +65°C)	-40°F to +113°F (-40°C to +45°C)

Ordering Codes:

Part Number	Optical Pattern ¹	Color ²	Lumens	Watts	Lumens Per Watt	Replaces Up To
HZD2C2NC	180	Cool White	3,500	43	81	70W HID
HZD3C2NC	360	Cool White	3,500	43	81	70W HID
HZD4C2NC	180	Cool White	4,500	55	82	175W HID
HZD5C2NC	360	Cool White	4,500	55	82	175W HID
HZD8C2NC	180	Cool White	5,800	70	83	250W HID
HZD9C2NC	360	Cool White	5,800	70	83	250W HID

¹180° optical pattern versions are optimized for a 45° mounting angle

²Part numbers listed in the above table are cool white. For neutral white version replace the 5th character with N Ex: HZD2C2N becomes HZD2N2N

Mechanical Information

Fixture Weight:	13.5lbs (6.1 kg)
Shipping Weight:	15.5lbs (7.0 kg)
Mounting:	See "Mounting Compatibility" section on page 2
Cabling:	10" (0.25m) SOOW Power Cord

Electrical specifications

Operating Voltage:	100-277VAC, 50/60 Hz
Power Consumption:	43W / 55W / 70W
Operating Temp:	-40°F to +149°F (-40°C to +65°C)

Noise Requirements/ EMC:

FCC Title 47, Subpart B, Section 15, class A device. RF Immunity; 10V/m, 80MHz-1GHz

Surge Protection:

1 kV line to line
2 kV line to ground

THD:

< 15%

Power Factor:

> 0.9

Construction

Housing:	Powder coated aluminum
Finish:	Polyester / epoxy powder coat gray RAL 7040 for superior corrosion resistance
Lens:	Polycarbonate - UL1598A wet location

Photometric Information

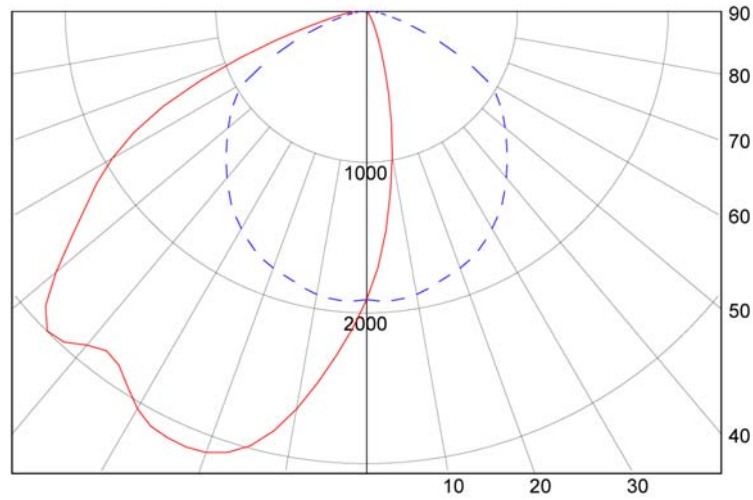
CRI:	> 70
CCT:	5,700K (cool white) 4,300K (neutral white)
Optics:	180° forward throw 360° circular pattern
IES Files:	Available upon request

All values typical unless otherwise state

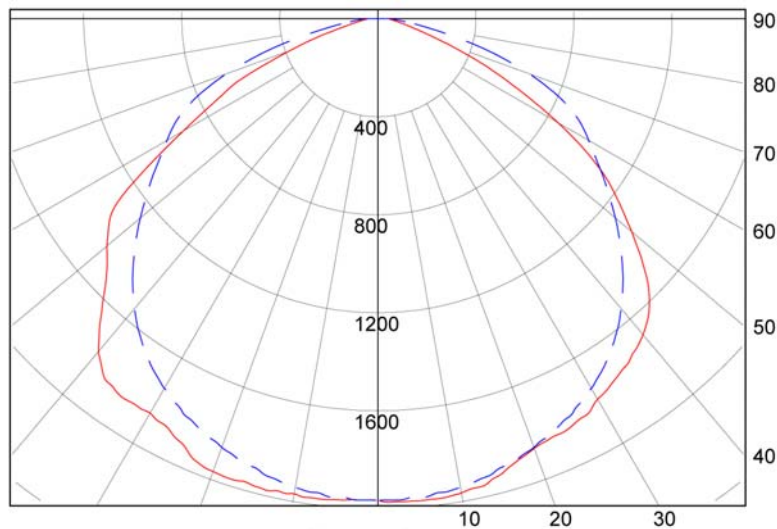
SafeSite® LED Area Light with Retrofit Adapter Kit

Candela Plots

180° Optical Pattern Mounted at 45°



360° Optical Pattern



Mounting Compatibility

SafeSite® LED Area Light with Retrofit Adapter Kit is Compatible with the Following				
Pendant	Ceiling	Wall	Stanchion	Quad-Mount
APM2	CM2	TWM2	JM5	QM25
APM3	CM3	TWM3	PM5	

Dialight reserves the right to make changes at any time in order to supply the best product possible. The most current version of this document will always be available at: www.dialight.com/Assets/Brochures_And_Catalogs/Illumination/MDTFHZRALX001.pdf