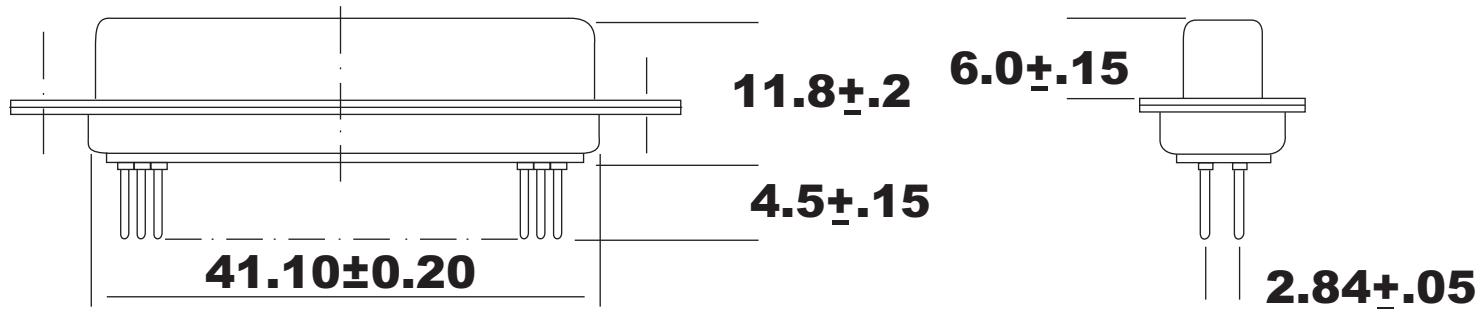


**Material:**

- Shell: Tin Plated Steel
- Insulator: PBT Thermo Plastic
  - 30% Glass Filled
  - Self-Extinguishing
  - UL94V-0 rated
- Contact Material:
  - Pin: Brass
  - Socket: Phosphor Bronze

**Electrical:**

- Current Rating: 5.0 Amps
- Dielectric Strength: 1,000V AC Min.
- Insulation Resistance: 5,000MΩ Min.
- Operating Temperature Range: -55°C~+125°C



⊕ = Assmann logo



<i>ITEM NO.</i>	<b>A-DF25PP-TL-B-R</b>
<i>TITLE</i>	D-Sub Connector Solder Tail - 25 Pin Female, Stamped

**ASSMANN**  
Electronics, Inc.

1840 W. Drake Drive, Suite 101 • Tempe, AZ 85283  
Toll Free: 1-877-277-6266 • Email: [info@usa-assmann.com](mailto:info@usa-assmann.com)

THIS DRAWING IS UNPUBLISHED  
©Copyright 2010 by Assmann Electronic Components  
All International Rights Reserved