



## UT6302

Power MOSFET

### P-CHANNEL ENHANCEMENT MOSFET

#### DESCRIPTION

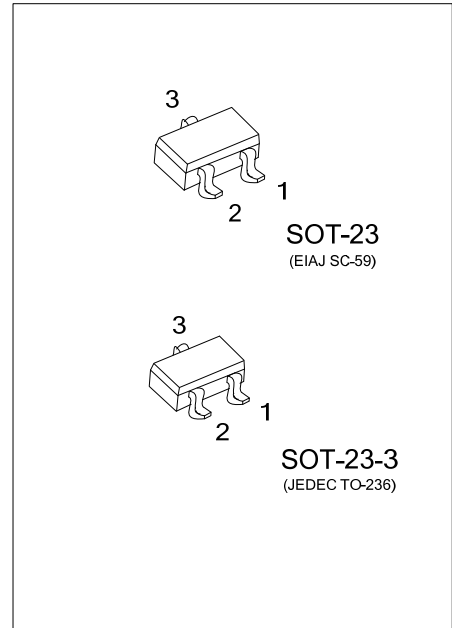
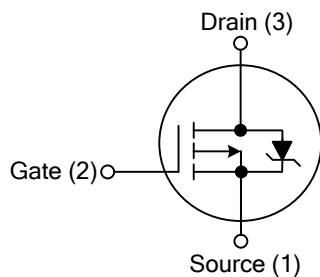
The UTC **UT6302** is a power MOSFET offering the customers efficient and reliable performance.

The UTC **UT6302** is ideal for thin application environments, such as portable electronics and PCMCIA cards.

#### FEATURES

- \* Extremely-Low On-Resistance
- \* Fast Switching Speed

#### SYMBOL

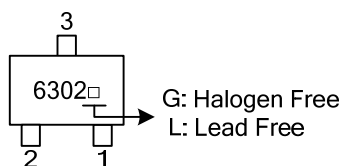


#### ORDERING INFORMATION

Ordering Number		Package	Pin Assignment			Packing
Lead Free	Halogen Free		1	2	3	
UT6302L-AE2-R	UT6302G-AE2-R	SOT-23-3	S	G	D	Tape Reel
UT6302L-AE3-R	UT6302G-AE3-R	SOT-23	S	G	D	Tape Reel

<p>UT6302L-AE3-R</p> <p>(1) Packing Type</p> <p>(2) Package Type</p> <p>(3) Lead Free</p>	<p>(1) R: Tape Reel</p> <p>(2) AE2: SOT-23-3, AE3: SOT-23</p> <p>(3) G: Halogen Free, L: Lead Free</p>
---	--

#### MARKING



■ ABSOLUTE MAXIMUM RATINGS ( $T_J = 25^\circ\text{C}$ , unless otherwise specified)

PARAMETER	SYMBOL	RATINGS	UNIT
Drain-Source Voltage	$V_{DSS}$	-20	V
Gate-Source Voltage	$V_{GSS}$	$\pm 12$	V
Continuous Drain Current ( $V_{GS} = -4.5\text{V}$ , $T_a = 25^\circ\text{C}$ )	$I_D$	-0.78	A
Pulsed Drain Current (Note 2)	$I_{DM}$	-4.9	A
Peak Diode Recovery $dv/dt$ (Note 3)	$dv/dt$	-5.0	V/nS
Power Dissipation ( $T_A = 25^\circ\text{C}$ )	$P_D$	540	mW
Linear Derating Factor above $25^\circ\text{C}$		4.3	mW/ $^\circ\text{C}$
Junction Temperature	$T_J$	+150	$^\circ\text{C}$
Storage Temperature	$T_{STG}$	-55 ~ +150	$^\circ\text{C}$

Note: 1. Absolute maximum ratings are those values beyond which the device could be permanently damaged.

Absolute maximum ratings are stress ratings only and functional device operation is not implied.

2. Pulse width limited by  $T_{J(MAX)}$

3.  $I_{SD} \leq -0.61\text{A}$ ,  $di/dt \leq 76\text{A}/\mu\text{s}$ ,  $V_{DD} \leq V_{(BR)DSS}$ ,  $T_J = 150^\circ\text{C}$

■ THERMAL DATA

PARAMETER	SYMBOL	RATINGS	UNIT
Junction to Ambient	$\theta_{JA}$	230	$^\circ\text{C}/\text{W}$

Note: Surface Mounted on FR-4 Board,  $t \leq 5\text{sec}$ .

■ ELECTRICAL CHARACTERISTICS ( $T_J = 25^\circ\text{C}$ , unless otherwise specified)

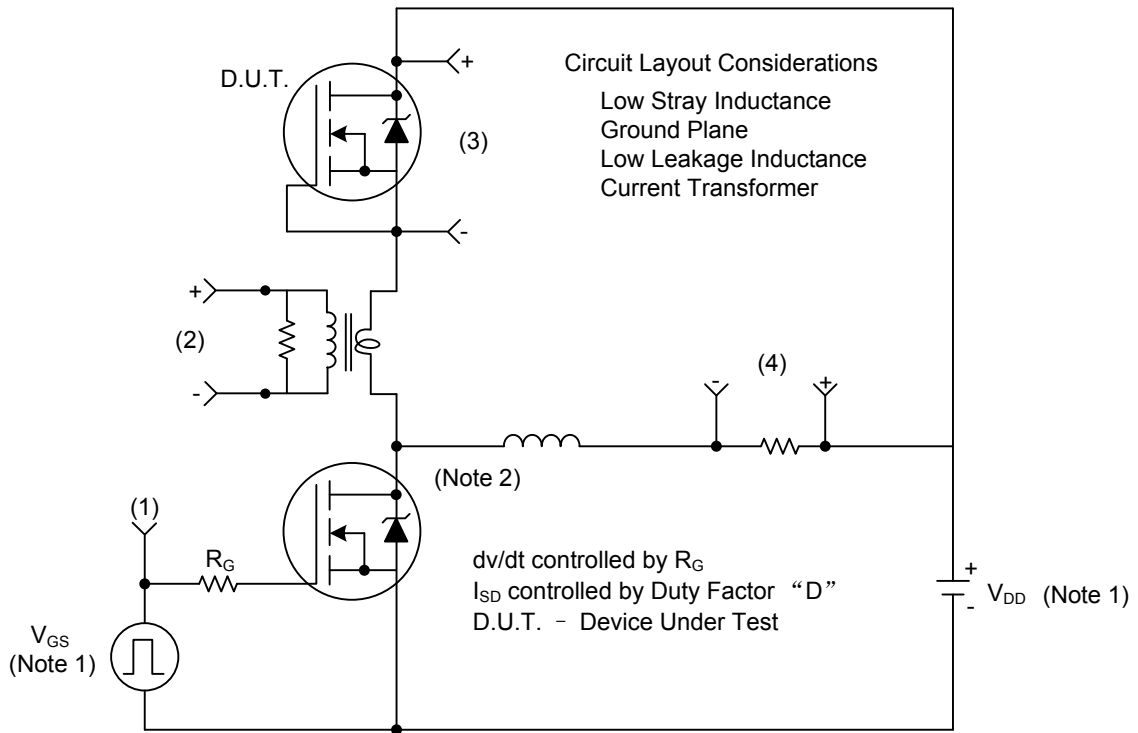
PARAMETER	SYMBOL	TEST CONDITIONS	MIN	TYP	MAX	UNIT
<b>OFF CHARACTERISTICS</b>						
Drain-Source Breakdown Voltage	$BV_{DSS}$	$V_{GS} = 0\text{V}$ , $I_D = -250\ \mu\text{A}$	-20			V
Drain-Source Leakage Current	$I_{DSS}$	$V_{DS} = -16\text{V}$ , $V_{GS} = 0\text{V}$			-1.0	$\mu\text{A}$
Gate-Source Leakage Current	$I_{GSS}$	$V_{GS} = \pm 12\text{V}$ , $V_{DS} = 0\text{V}$			$\pm 100$	nA
Drain-Source Breakdown Voltage	$\Delta BV_{DSS}/\Delta T_J$	$I_D = -1\text{mA}$ , Reference to $25^\circ\text{C}$		-4.9		mV/ $^\circ\text{C}$
<b>ON CHARACTERISTICS</b>						
Gate Threshold Voltage	$V_{GS(TH)}$	$V_{DS} = V_{GS}$ , $I_D = -250\ \mu\text{A}$	-0.70		-1.5	V
Static Drain-Source On-Resistance	$R_{DS(ON)}$	$V_{GS} = -4.5\text{V}$ , $I_D = -0.61\text{A}$ (Note 2)			0.60	$\Omega$
		$V_{GS} = -2.7\text{V}$ , $I_D = -0.31\text{A}$ (Note 2)			0.90	$\Omega$
<b>DYNAMIC PARAMETERS</b>						
Input Capacitance	$C_{ISS}$	$V_{DS} = -15\text{V}$ , $V_{GS} = 0\text{V}$ , $f = 1.0\text{MHz}$		97		pF
Output Capacitance	$C_{OSS}$			53		pF
Reverse Transfer Capacitance	$C_{RSS}$			28		pF
<b>SWITCHING PARAMETERS</b>						
Total Gate Charge	$Q_G$	$V_{GS} = -4.5\text{V}$ , $V_{DS} = -16\text{V}$ $I_D = -0.61\text{A}$ (Note 1, 2)		2.4	3.6	nC
Gate Source Charge	$Q_{GS}$			0.56	0.84	nC
Gate Drain Charge	$Q_{GD}$			1.0	1.5	nC
Turn-ON Delay Time	$t_{D(ON)}$	$V_{DD} = -10\text{V}$ , $I_D = -0.61\text{A}$ , $R_G = 6.2\ \Omega$ , $R_D = 16\ \Omega$ (Note 1, 2)		13		nS
Turn-ON Rise Time	$t_R$			18		nS
Turn-OFF Delay Time	$t_{D(OFF)}$			22		nS
Turn-OFF Fall-Time	$t_F$			22		nS

■ ELECTRICAL CHARACTERISTICS (Cont.)

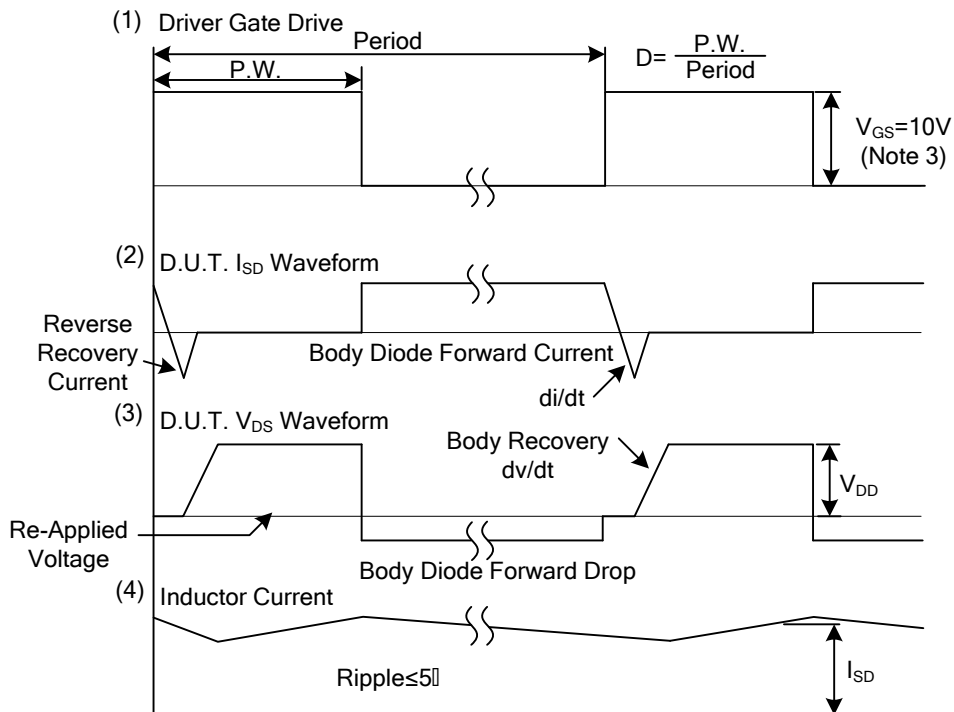
PARAMETER	SYMBOL	TEST CONDITIONS	MIN	TYP	MAX	UNIT
<b>SOURCE-DRAIN DIODE RATINGS AND CHARACTERISTICS</b>						
Drain-Source Diode Forward Voltage	$V_{SD}$	$I_S = -0.61A, V_{GS} = 0V$			-1.2	V
Maximum Continuous Drain-Source Diode Forward Current	$I_S$				-0.54	A
Maximum Pulsed Drain-Source Diode Forward Current (Note 1)	$I_{SM}$				-4.9	A
Reverse Recovery Time	$t_{rr}$	$T_J = 25^\circ C, I_F = -0.61A,$		35	53	nS
Reverse Recovery Charge	$Q_{RR}$	$di/dt = 100A/\mu s$ (Note 2)		26	39	nC

- Notes: 1. Repetitive Rating; Pulse width limited by  $T_{J(MAX)}$   
 2. Pulse Width  $\leq 300\mu s$ , Duty Cycle  $\leq 2\%$ .

■ TEST CIRCUITS AND WAVEFORMS



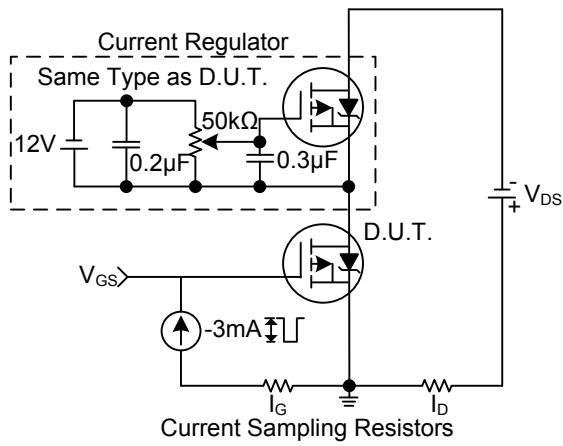
Peak Diode Recovery dv/dt Test Circuit



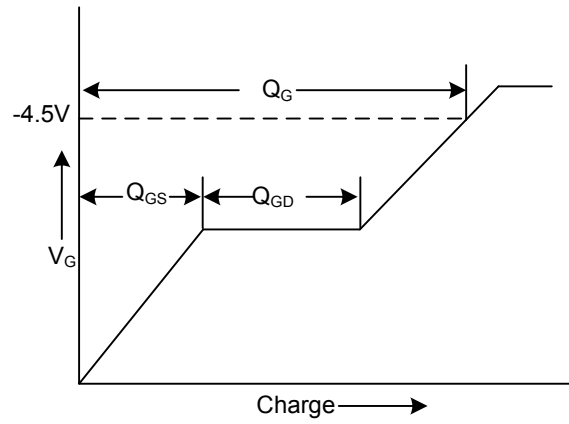
Peak Diode Recovery dv/dt Waveforms

- Notes: 1. Reverse Polarity for P-Channel
- 2. Use P-Channel Driver for P-Channel Measurements
- 3.  $V_{GS}=5.0V$  for Logic Level and 3V Drive Devices

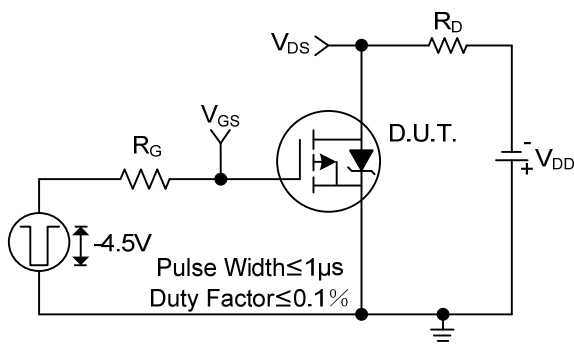
■ TEST CIRCUITS AND WAVEFORMS(Cont.)



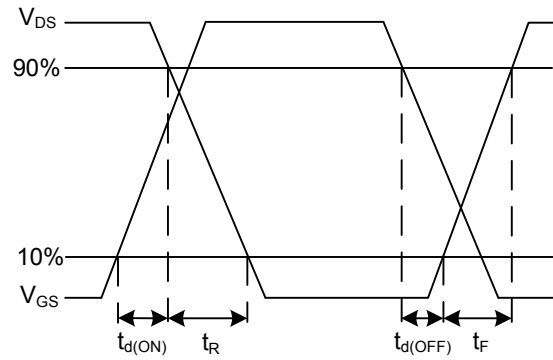
Gate Charge Test Circuit



Gate Charge Waveforms

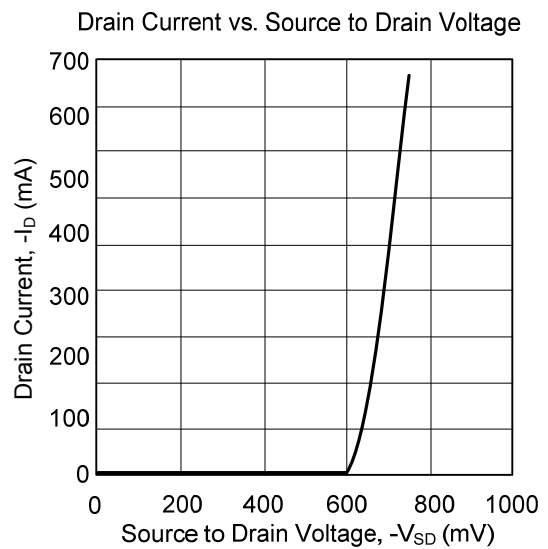
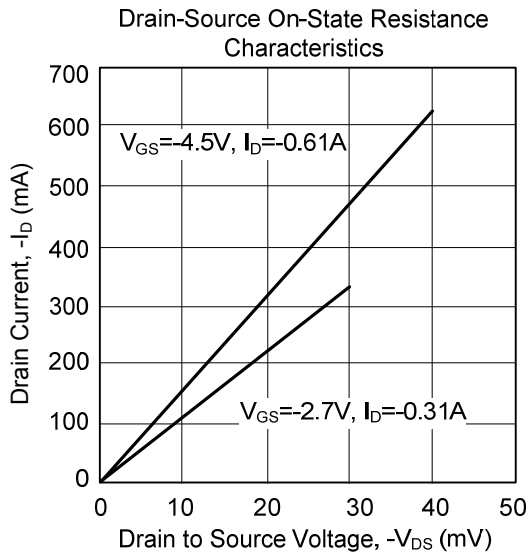
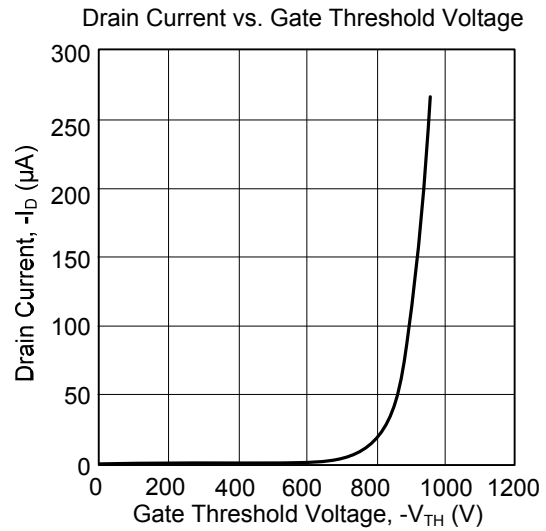
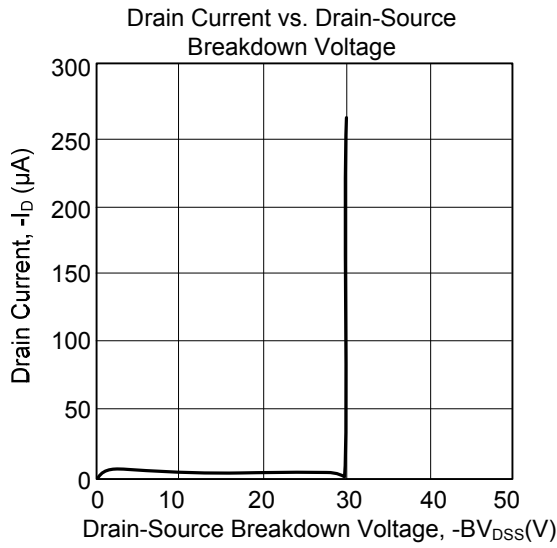


Switching Time Test Circuit



Switching Time Waveforms

■ TYPICAL CHARACTERISTICS



UTC assumes no responsibility for equipment failures that result from using products at values that exceed, even momentarily, rated values (such as maximum ratings, operating condition ranges, or other parameters) listed in products specifications of any and all UTC products described or contained herein. UTC products are not designed for use in life support appliances, devices or systems where malfunction of these products can be reasonably expected to result in personal injury. Reproduction in whole or in part is prohibited without the prior written consent of the copyright owner. The information presented in this document does not form part of any quotation or contract, is believed to be accurate and reliable and may be changed without notice.