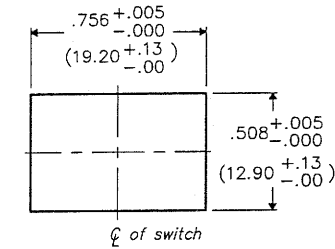
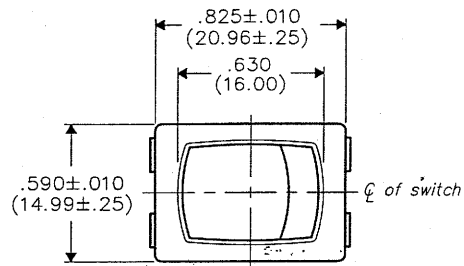


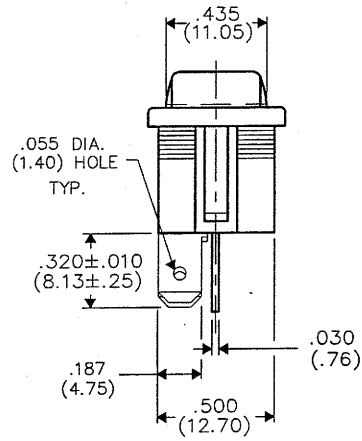
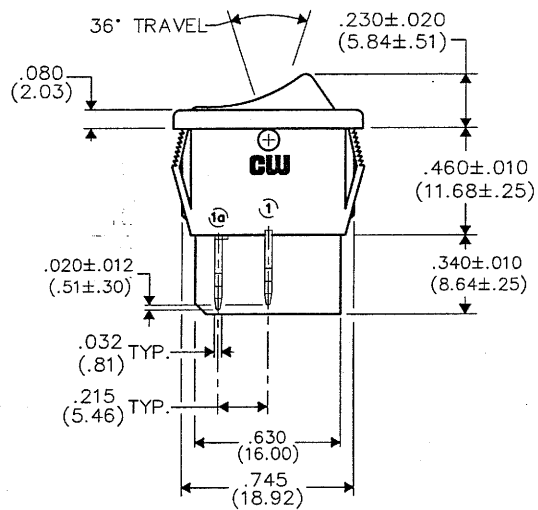
DIMENSIONS IN INCHES (MILLIMETERS)
DO NOT SCALE DRAWING

Dwg. No.

GRS-4011-0040



PANEL PIERCING



E
D
C
B
A

1 2 3 4 5 6 7 8 9 10

| | | |
|---------------|-----------------|-------------|
| B-FORMAT 2002 | REVISIONS | 0 |
| | RELEASED DGW | APR 09 2007 |

| | | |
|---------------|--|--|
| PDF FILE MADE | CW INDUSTRIES Southampton, Pa. 18966 | Title: ROCKER SWITCH ASSEMBLY S.P./S.T. |
| | TOLERANCES UNLESS OTHERWISE SPECIFIED | |
| | 2 Place Decimal ±.010 3 Place Decimal ±.005 Angles ±1° | METRIC 1 Place Dec. ±.25mm 2 Place Dec. ±.13mm |
| | Made for: CW IND. | Division: SWITCH |
| | Drawn by: DGW 4-02-2007 | Dwg. No. GRS-4011-0040 |
| | Checked by: <i>G. Guld 4-4-07</i> | |
| | Approval: <i>C. Hamon 4/9/07</i> | |

MASTER