

CERAMIC SMD MICROPROCESSOR CRYSTAL

ABM2

Pb in Glass
(exempt per RoHS 2002/95/EC Annex (5))

RoHS
Compliant



8.0 x 4.5 x 1.4mm

Moisture Sensitivity Level (MSL) – This product is Hermetically Sealed and not Moisture Sensitive - MSL = N/A: Not Applicable

FEATURES:

- Low in height; suitable for thin equipment
- Glass sealed package assures high reliability and high temperature operation
- Tight tolerance and stability available
- Suitable for RoHS compliant reflow
- Low cost glass sealed crystal solution

APPLICATIONS:

- High density applications
- Modems, communication and test equipment
- PCMCIA, Wireless applications
- Microprocessor crystals

STANDARD SPECIFICATIONS:

Parameters	Minimum	Typical	Maximum	Units	Notes
Frequency Range	7.3728	-----	100.000	MHz	Fundamental
Operation mode	7.3728	-----	40.000		Fundamental AT-cut (Standard)
	40.001	-----	100.000		3 rd OT AT-cut (Standard)
	40.001	-----	60.000		Fundamental AT-cut (See options)
Operating Temperature	-10	-----	+60	°C	See options
Storage Temperature	-40	-----	+85	°C	
Frequency Tolerance @+25°C	-50	-----	+50	ppm	See options
Frequency Stability over the Operating Temperature (ref. to +25°C)	-50	-----	+50	ppm	See options
Equivalent series resistance	-----	-----	250	Ω	7.3728 – 7.999MHz (Fundamental)
	-----	-----	100		8.000 – 10.000999MHz (Fundamental)
	-----	-----	60		10.001 – 15.999999MHz (Fundamental)
	-----	-----	50		16.000 – 60.000999MHz (Fundamental)
	-----	-----	70		40.000 – 100.000999MHz (3 rd OT)
Shunt capacitance (C0)	-----	-----	7	pF	-----
Load capacitance (CL)	-----	18	-----	pF	See options
Drive Level	-----	10	100	μW	
Aging @ 25°C±3°C	-----	-----	±5	ppm	First year
Insulation Resistance	500	-----	-----	MΩ	@ 100Vdc

CERAMIC SMD MICROPROCESSOR CRYSTAL

ABM2

Pb in Glass
(exempt per RoHS 2002/95/EC Annex (5))

RoHS
Compliant



8.0 x 4.5 x 1.4mm

OPTIONS AND PART IDENTIFICATION:

(Left blank if standard)

ABM2- MHz - - - - -

Frequency in MHz
e.g. 8.000MHz
14.31818MHz
26.000MHz

Load Capacitance (pF)
Please specify CL in pF (8 to 33pF) or S for series Please contact ABRACON for other values

Custom ESR if other than standard
R <input type="text"/>
<input type="checkbox"/> : Specify a value in Ω (e.g.: R40)

Operating Temp.
E: 0°C ~ +70°C
B: -20°C ~ +70°C
C: -30°C ~ +70°C
N: -30°C ~ +85°C
D: -40°C ~ +85°C
J(***) : -40°C ~ +105°C
K(****) : -40°C ~ +125°C
L(*****) : -55°C ~ +125°C

Freq. Tolerance
1: ± 10 ppm
7: ± 15 ppm
2: ± 20 ppm
3: ± 25 ppm
4: ± 30 ppm

Freq. Stability
U: ± 10 ppm(*)
G: ± 15 ppm(**)
X: ± 20 ppm
W: ± 25 ppm
Y: ± 30 ppm
H: ± 35 ppm
A: ± 80 ppm
Q: ± 100 ppm
V: ± 120 ppm
P: ± 150 ppm

Packaging
Blank: Bulk
T: 1k or 2kpcs/reel
T2: 250pcs/reel

Mode
F: Fund AT for >40MHz

(***) ± 50 ppm, A,Q,V, or P only

(****) Q, V, or P only for $F \geq 10$ MHz

V, P only for $F < 10$ MHz

(*****) Contact Abracon for availability

(*) -10°C to 60°C only.

(**) -10°C to 60°C, E, and B only



CERAMIC SMD MICROPROCESSOR CRYSTAL

ABM2

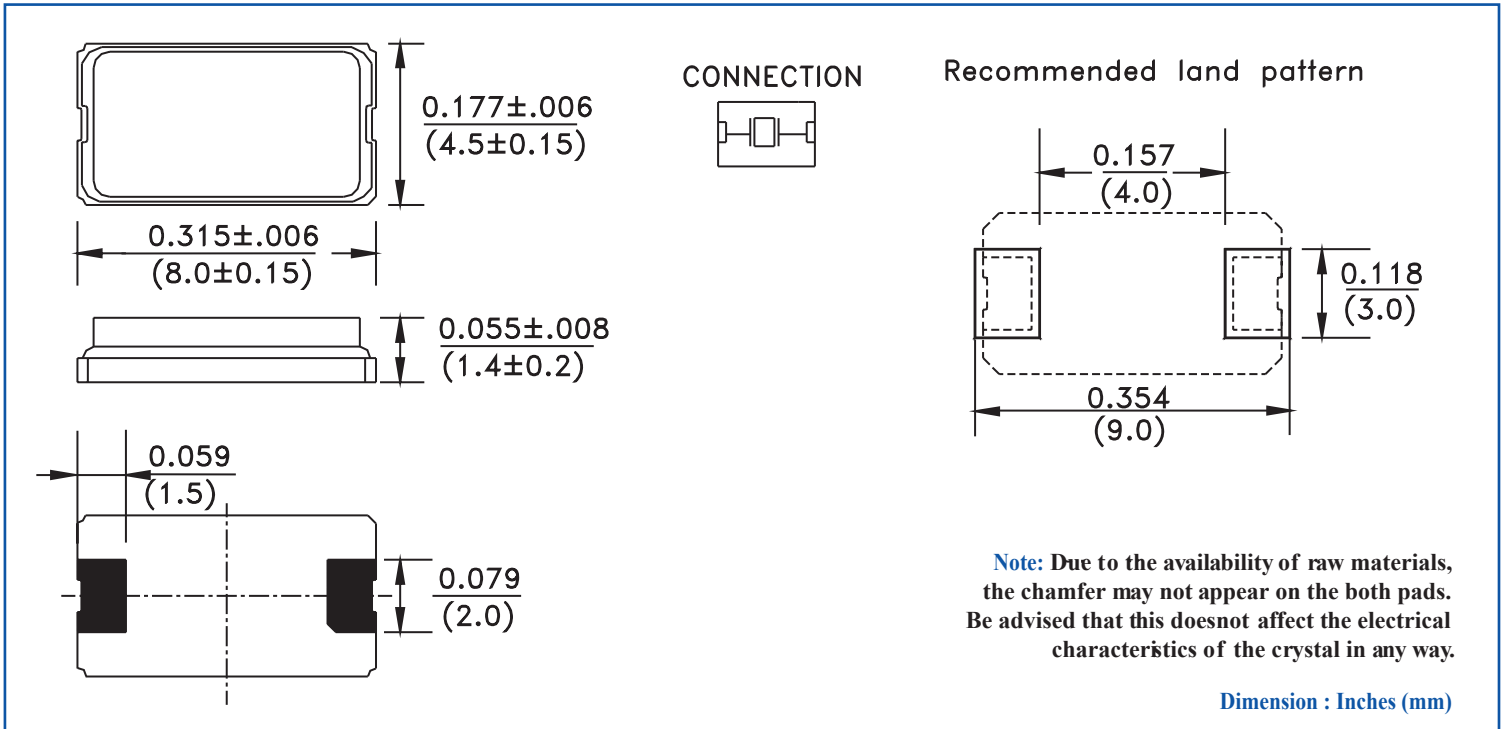
Pb in Glass
(exempt per RoHS 2002/95/EC Annex (5))

RoHS
Compliant

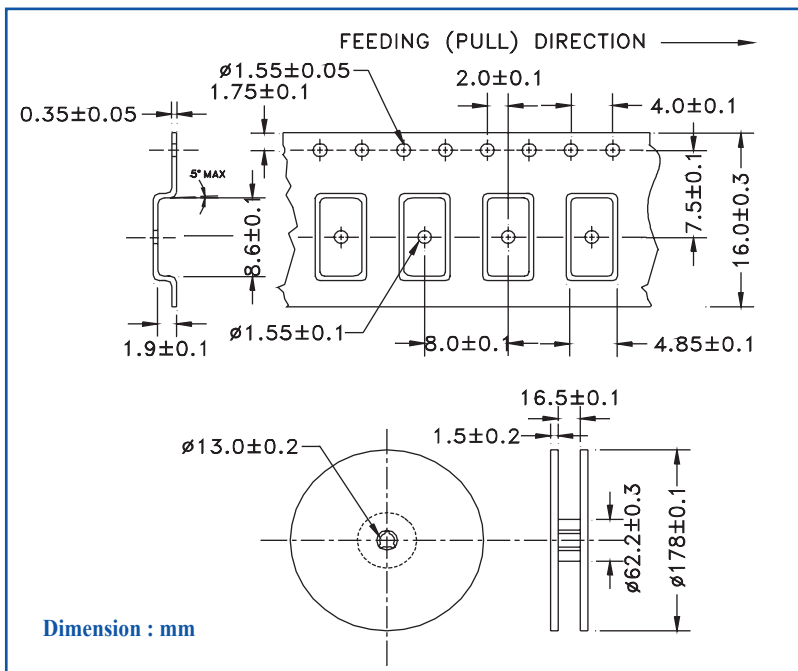


8.0 x 4.5 x 1.4mm

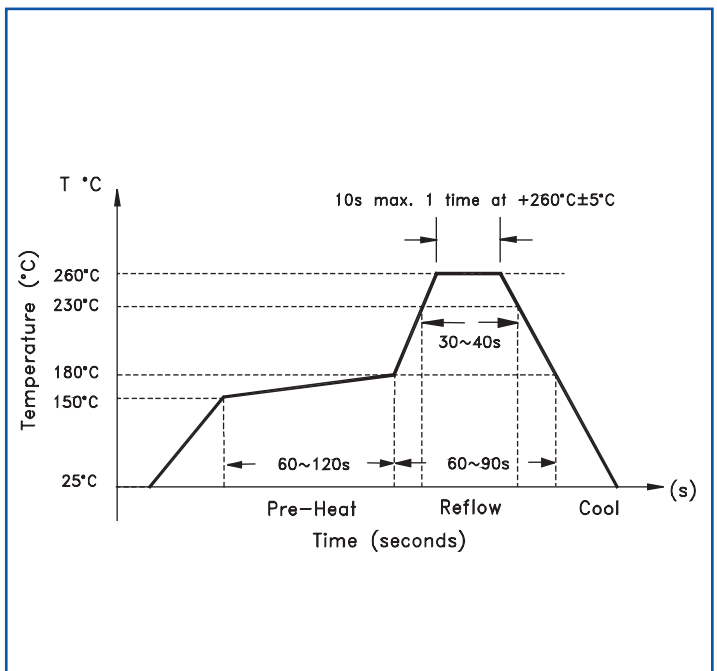
OUTLINE DRAWING:



TAPE & REEL: Tape and reel 1,000pcs/reel



REFLOW PROFILE



Need a test socket for the ABM2 Series? To view compatible PRECISION TEST & BURN-IN SOCKETS for these parts, [click here.](#)

ATTENTION: Abracon Corporation's products are COTS – Commercial-Off-The-Shelf products; suitable for Commercial, Industrial and, where designated, Automotive Applications. Abracon's products are not specifically designed for Military, Aviation, Aerospace, Life-dependant Medical applications or any application requiring high reliability where component failure could result in loss of life and/or property. For applications requiring high reliability and/or presenting an extreme operating environment, written consent and authorization from Abracon Corporation is required. Please contact Abracon Corporation for more information.

ABRACON IS
ISO9001:2008
CERTIFIED



Visit www.abracon.com for Terms & Conditions of Sale **Revised: 11.29.11**
30332 Esperanza, Rancho Santa Margarita, California 92688
tel 949-546-8000 | fax 949-546-8001 | www.abracon.com