

**PLEASE CHECK WWW.MOLEX.COM FOR LATEST PART INFORMATION**

**Part Number:** [0894858002](#)  
**Status:** **Active**  
**Description:** Universal Serial Bus (USB) Shielded I/O Type A Receptacle, Single Upright, Right Angle, Terminal Length 2.50mm (.098"), Without Mylar, Gold (Au) Flash, Tray Package, Lead Free

**Documents:**

[3D Model](#) [Product Specification PS-89485 \(PDF\)](#)  
[Drawing \(PDF\)](#) [RoHS Certificate of Compliance \(PDF\)](#)

**Agency Certification**

CSA LR19980  
 UL E29179

**General**

Product Family I/O Connectors  
 Series [89485](#)  
 Application Wire-to-Board  
 Comments Without Mylar  
 Component Type Receptacle  
 Product Name USB  
 Type A

**Physical**

Boot Color N/A  
 Circuits (Loaded) 4  
 Circuits (maximum) 4  
 Color - Resin Black  
 Flammability 94V-0  
 Gender Male  
 Lock to Mating Part Yes  
 Material - Plating Mating Gold  
 Material - Plating Termination Tin  
 Material - Resin High Temperature Thermoplastic  
 Number of Rows 1  
 Orientation Upright  
 PC Tail Length (in) 0.098 In  
 PC Tail Length (mm) 2.50 mm  
 PCB Locator Yes  
 PCB Retention Yes  
 PCB Thickness Recommended (in) 0.062 In  
 PCB Thickness Recommended (mm) 1.60 mm  
 Packaging Type Tray  
 Panel Mount No  
 Pitch - Mating Interface (in) 0.079 In, 0.098 In  
 Pitch - Mating Interface (mm) 2.00 mm, 2.50 mm  
 Pitch - Term. Interface (in) 0.055 In  
 Pitch - Term. Interface (mm) 1.40 mm  
 Polarized to Mating Part Yes  
 Polarized to PCB Yes  
 Ports 1  
 Surface Mount Compatible (SMC) No  
 Temperature Range - Operating 125°C  
 Termination Interface: Style Through Hole  
 Waterproof / Dustproof No

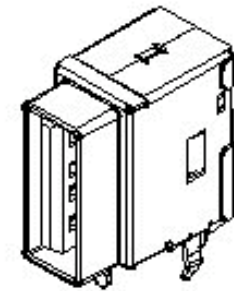


image - Reference only

Series

**EU RoHS**

**ELV and RoHS Compliant**  
**REACH SVHC**  
 Not Reviewed  
**Halogen-Free Status**  
**Not Reviewed**

**China RoHS**



**Need more information on product environmental compliance?**

Email [productcompliance@molex.com](mailto:productcompliance@molex.com)  
 For a multiple part number RoHS Certificate of Compliance, [click here](#)

Please visit the [Contact Us](#) section for any non-product compliance questions.

**Search Parts in this Series**

[89485Series](#)

**Mates With**

[88740 USB Type A Cable Plug](#)

**Electrical**

Current - Maximum per Contact	1A
Shield Type	Full Shield
Shielded	Yes
Voltage - Maximum	750V AC (RMS)

**Material Info****Reference - Drawing Numbers**

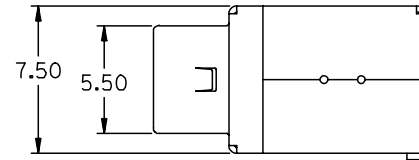
Packaging Specification	PK-89485-002
Product Specification	PS-89485
Sales Drawing	SD-89485-003

This document was generated on 05/25/2010

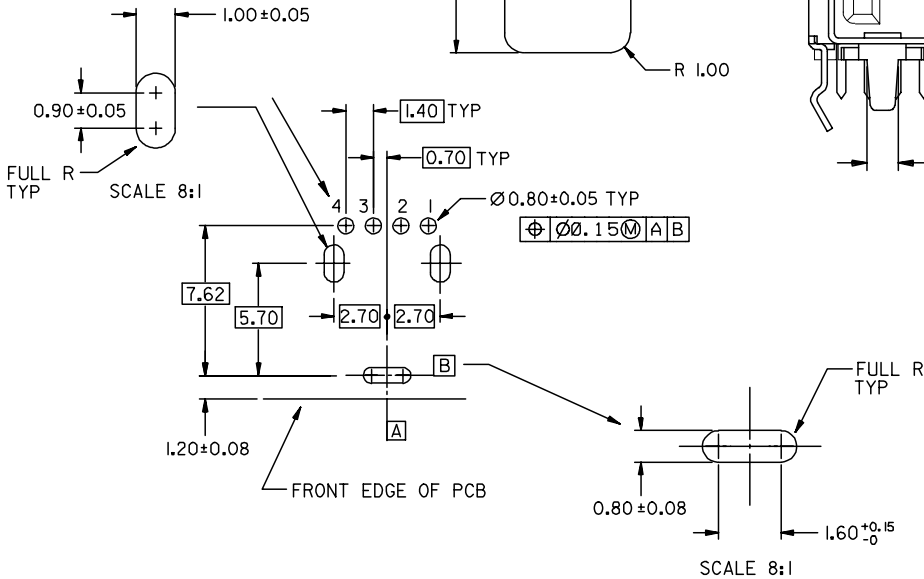
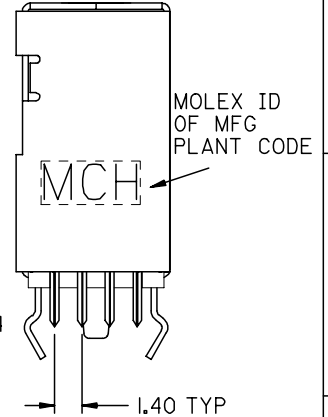
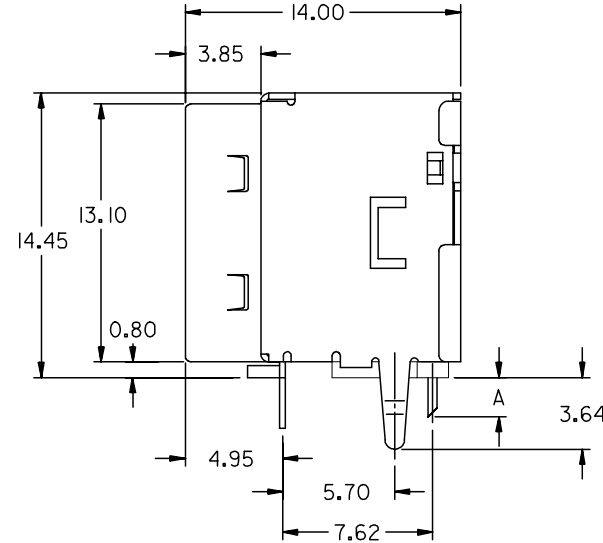
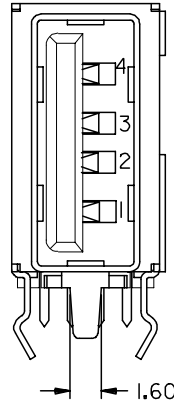
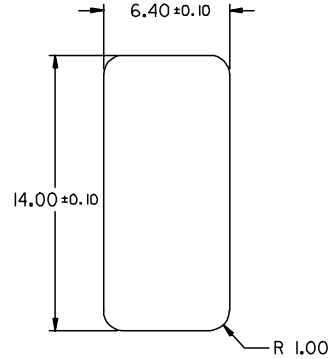
**PLEASE CHECK [WWW.MOLEX.COM](http://WWW.MOLEX.COM) FOR LATEST PART INFORMATION**

- NOTES :
- MATERIAL :  
HOUSING : HIGH TEMPERATURE NYLON , GLASS FIBRE FILLED, UL94-V0 , COLOR: BLACK  
TERMINAL : PHOSPHOR BRONZE  
METAL SHELL : DEEP DRAWN STEEL
  - PLATING :  
TERMINAL :  
CONTACT AREA : (a) GOLD FLASH,  
(b) GOLD (Au), THICKNESS = 30 MICROINCH MINIMUM.  
SOLDER TAIL :  
PURE TIN THICKNESS= 75 MICROINCH MINIMUM .  
UNDER PLATE : NICKEL (Ni), THICKNESS= 50 MICROINCH MINIMUM.  
METAL SHELL :  
TIN (Sn) ALLOY , THICKNESS= 100 MICROINCH MINIMUM.  
UNDER PLATE : NICKEL (Ni), THICKNESS= 50 MICROINCH MINIMUM.
  - RECOMMENDED PCB THICKNESS : 1.60±0.05 mm
  - PRODUCT SPECIFICATION : REFER TO PS-89485
  - TRAY PACKAGING SPECIFICATION REFER TO : PK-89485-002  
TUBE PACKAGING SPECIFICATION REFER TO : PK-89485-001  
TUBE PACKAGING P/N, PLEASE REFER TO SHEET 2,3

DIMENSION "A"	P/N FOR TRAY PACKING	
2.00 <sup>+0.35</sup> <sub>-0.15</sub>	89485-8000	GOLD FLASH PLATING ON CONTACT AREA
	89485-8001	30 MICRO INCH GOLD PLATING ON CONTACT AREA
2.50 <sup>+0.35</sup> <sub>-0.10</sub>	89485-8002	GOLD FLASH PLATING ON CONTACT AREA
	89485-8003	30 MICRO INCH GOLD PLATING ON CONTACT AREA



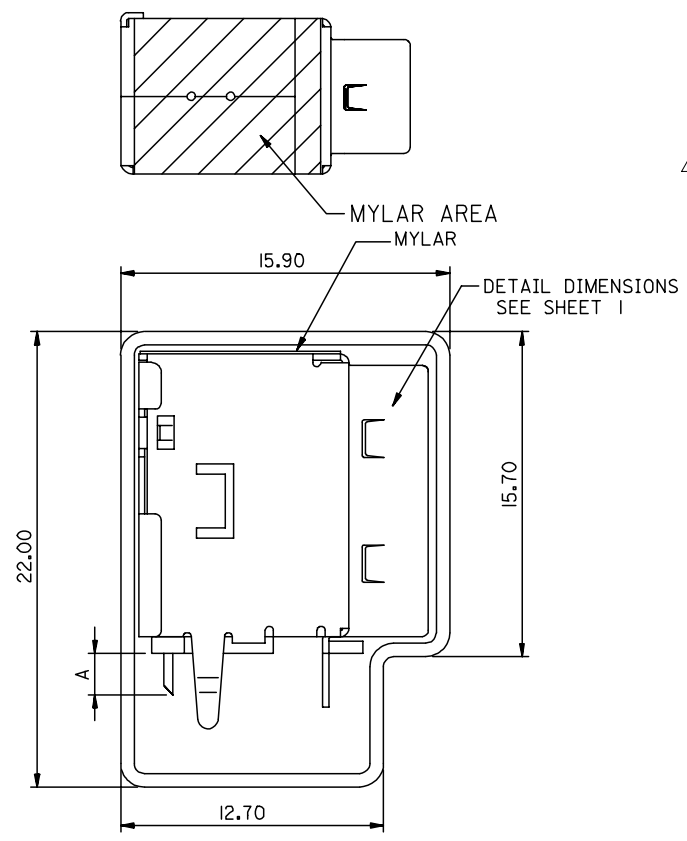
Recommended Panel Opening



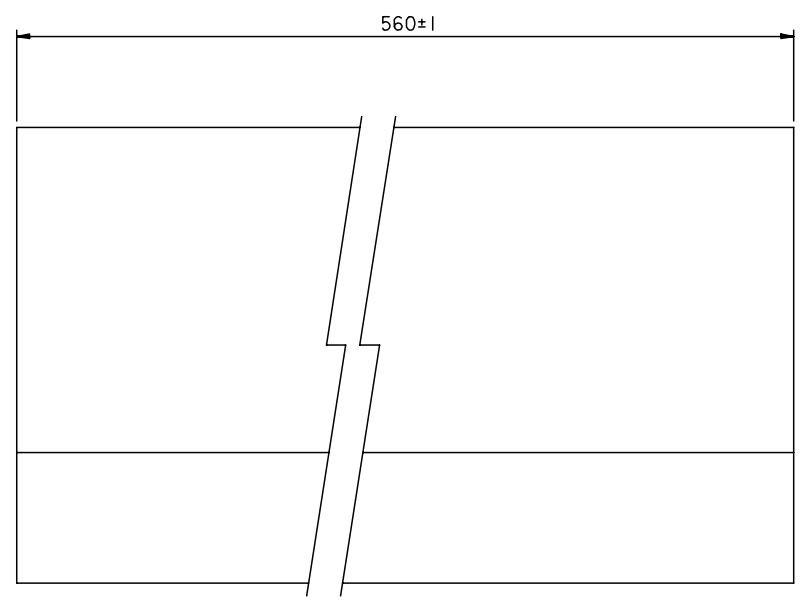
					MATERIAL :	SEE NOTE	 MOLEX TAIWAN LTD. SHEET 1 OF 3
					FINISH :	SEE NOTE	
					WIRE RANGE :	N/A	GENERAL TOLERANCES ANGLE : ± 3° DIM : ± .25/.010
					INS. RANGE :	N/A	ENG. NO.: SD-89485-003
A	NEW RELEASE FOR LEAD-FREE		DAVID HJ	2004/11/5	DRAWN BY DAVID HJ	CHK'D BY	REV A
LTR	REVISION RECORD	ECN	DR	DATE	2004/11/5		TITLE : SINGLE PORT UP-RIGHT USB CONNECTOR (LEAD-FREE)
REVISE ONLY ON CAD SYSTEM					APPR'D BY	SCALE 4:1	

8 7 6 5 4 3 2 1

ENG. NO.  
EDP NO.  
SIMILAR ITEM  
CADFILE NO.



NOTE:  
1. DETAIL DIMENSIONS, PLEASE REFER TO SHEET 1 OF SD-89485-003  
2. THE TUBE PACKAGE INCLUDE TWO PLUGS ON RIGHT AND LEFT SIDES.  
3. TUBE PACKAGING SPECIFICATION REFER TO: PK-89485-001



PART NUMBER LEGEND:

P/N FOR TUBE PACKING AND MYLAR ADDITION			
MATERIAL NUMBER	DIMENSION 'A'	PLATING SPECIFICATION	
WITH MYLAR	2.00 <sup>+0.35</sup> <sub>-0.15</sub>	GOLD FLASH PLATING ON CONTACT AREA	
		30 MICRO INCH GOLD PLATING ON CONTACT AREA	
	2.50 <sup>+0.35</sup> <sub>-0.10</sub>	GOLD FLASH PLATING ON CONTACT AREA	
		30 MICRO INCH GOLD PLATING ON CONTACT AREA	

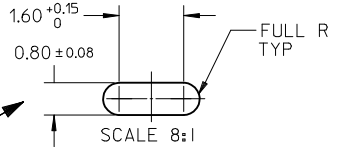
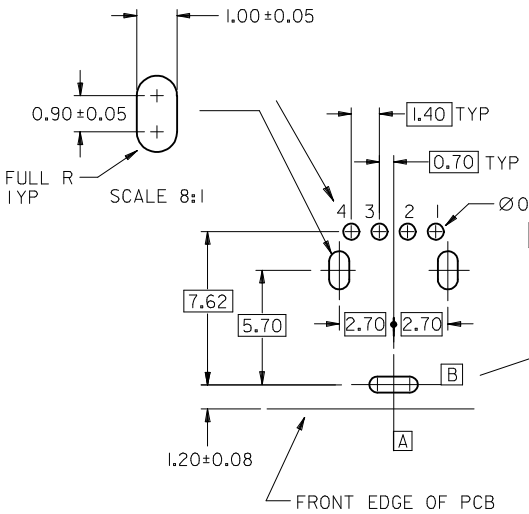
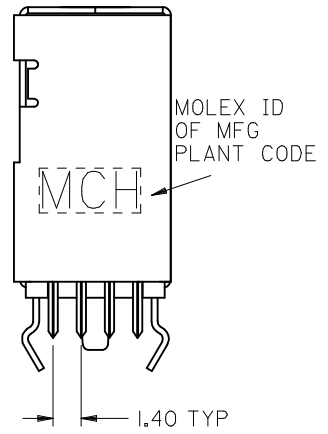
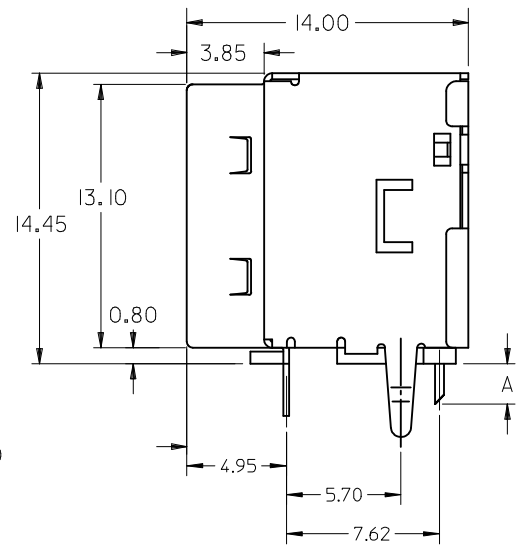
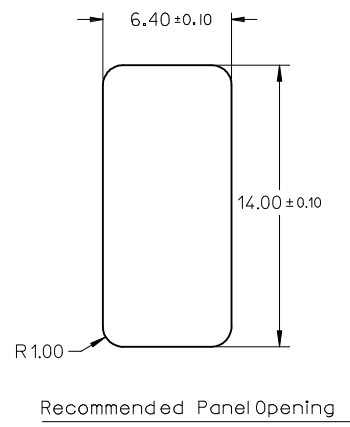
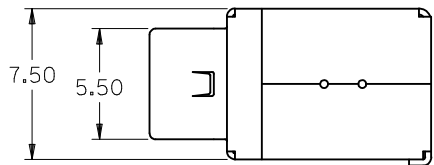
NEW RELEASE EC NO. DRAWN: DAVID HU 2004/10/28 CHK: APPR:	QUALITY SYMBOLS MAJOR = 0 CRITICAL = 0	GENERAL TOLERANCES: (UNLESS SPECIFIED)		SCALE 4 : 1	DESIGN UNITS <input checked="" type="checkbox"/> mm <input type="checkbox"/> INCH	THIRD ANGLE PROJECTION <input type="checkbox"/> mm <input checked="" type="checkbox"/> INCH	DIMENSIONS: <input type="checkbox"/> mm <input type="checkbox"/> INCH <input checked="" type="checkbox"/> mm ONLY	SHT	REV
		4 PLACES ± .	± .	DRAWN BY & DATE DAVID HU 2004/10/28		TITLE: USB A UPRIGHT 89485 WITH MYLAR BY TUBE PACKAGE (LEAD-FREE)			
		3 PLACES ± .	± .	CHECKED BY & DATE		APPROVED BY & DATE			
		2 PLACES ±0.25	±0.10	ANGULAR: ±3°		CAD FILENAME S8948503.S02	MATERIAL NO. SEE TABLE	DRAWING NO. SD-89485-003	SHEET NO. 2
1 PLACE ±0.25	±0.10	DRAFT WHERE APPLICABLE MUST REMAIN WITHIN DIMENSIONS		THIS DRAWING CONTAINS INFORMATION THAT IS PROPRIETARY TO MOLEX INCORPORATED AND SHOULD NOT BE USED WITHOUT WRITTEN PERMISSION.					SIZE A3

DO NOT SCALE DRAWING

F  
E  
D  
C  
B  
A

DIMENSION "A"	P/N	PLATING	TERMINAL CONTACT PLATING	TERMINAL SOLDER PLATING	METAL SHELL PLATING
2.00 <sup>+0.35</sup> <sub>-0.15</sub>	89485-8000	SEE NOTES(a)+(d)	GOLD FLASH	75 MICRO INCH BRIGHT TIN	100 MICRO INCH BRIGHT TIN
	89485-8001	SEE NOTES(b)+(d)	30 MICRO INCH GOLD		
2.50 <sup>+0.35</sup> <sub>-0.10</sub>	89485-8002	SEE NOTES(a)+(d)	GOLD FLASH	75 MICRO INCH MATTE TIN	100 MICRO INCH MATTE TIN
	89485-8003	SEE NOTES(b)+(d)	30 MICRO INCH GOLD		
	89485-8012	SEE NOTES(c)+(e)	GOLD FLASH		

NOTE:  
 1.MATERIAL:  
 HOUSING:HIGH TEMPERATURE NYLON,GLASS FIBRE FILLED,UL94-V0,COLOR:BLACK  
 TERMINAL:PHOSPHOR BRONZE  
 METAL SHELL:DEEP DRAWN STEEL  
 2.PLATING:  
 TERMINAL:  
 (a)GOLD FLASH ON THE CONTACT AREA,AND 75MICROINCH MINIMUM PURE TIN ON SOLDER TAIL, UNDER 50MICROINCH MINIMUM Ni PLATE.  
 (b)30MICROINCH MINIMUM GOLD(Au) ON THE CONTACT AREA, AND 75MICROINCH MINIMUM PURE TIN ON SOLDER TAIL,UNDER 50MICROINCH MINIMUM Ni UNDER PLATE.  
 (c)GOLD FLASH ON THE CONTACT AREA,AND 75MICROINCH MINIMUM MATTE TIN ON SOLDER TAIL,UNDER 50MICROINCH MINIMUM Ni PLATE.  
 METAL SHELL:  
 (d)100MICROINCH MINIMUM BRIGHT TIN ON THE METAL SHELL,AND 50MICROINCH MINIMUM Ni AND 100MICROINCH MINIMUM Cu PLATE.  
 (e)100MICROINCH MINIMUM MATTE TIN ON THE METAL SHELL,AND 50MICROINCH MINIMUM Ni AND 100MICROINCH MINIMUM Cu PLATE.  
 3.RECOMMENDED PCB THICKNESS:1.60 ±0.05mm  
 4.PRODUCT SPECIFICATION:REFER TO PS-89485  
 5. TRAY PACKAGING SPECIFICATION REFER TO:PK-89485-002  
 TUBE PACKAGING SPECIFICATION REFER TO:PK-89485-001  
 TUBE PACKAGING P/N,PLEASE REFER TO:SHEET2,3



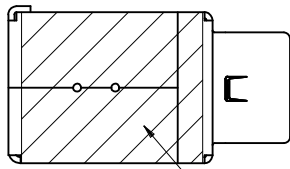
NEW RELEASE EC NO: SH2009-0233 DR:WINEZHAO 2008/12/02 CHKD:RZHANG 2008/12/12 APPR:HWANG 2008/12/17	DESCRIPTION
	REV
	QUALITY SYMBOLS
	QUALITY SYMBOLS

DRAFT WHERE APPLICABLE MUST REMAIN WITHIN DIMENSIONS	GENERAL TOLERANCES (UNLESS SPECIFIED)
	mm INCH
	4 PLACES ± --- ± ---
	3 PLACES ± --- ± ---
2 PLACES ± 0.25 ± .010	
1 PLACE ± 0.25 ± .010	
ANGULAR ± 3 °	

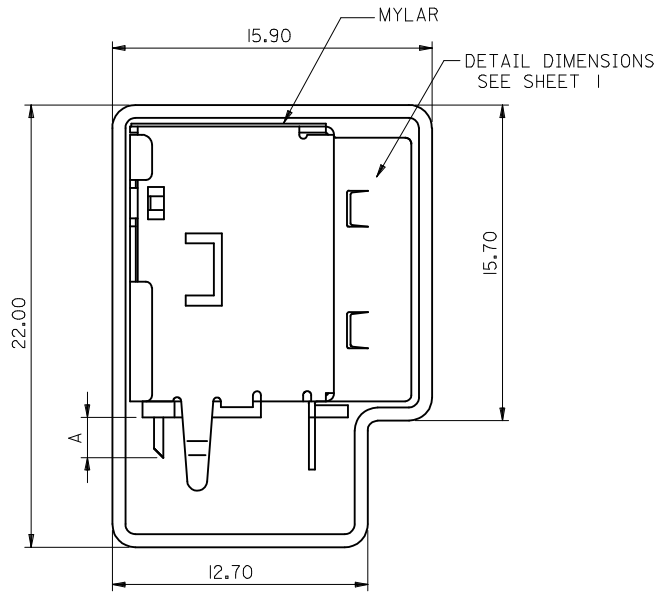
DIMENSION STYLE	SCALE	DESIGN UNITS	THIRD ANGLE PROJECTION
MM ONLY	4:1	METRIC	
DRAWN BY	DATE	TITLE	
DAVID HU		SINGLE PORT UP-RIGHT USB CONNECTOR LEAD-FREE	
CHECKED BY	DATE		
APPROVED BY	DATE		
MATERIAL NO.	DOCUMENT NO.		
SEE TABLE	SD-89485-003		
SIZE	THIS DRAWING CONTAINS INFORMATION THAT IS PROPRIETARY TO MOLEX INCORPORATED AND SHOULD NOT BE USED WITHOUT WRITTEN PERMISSION		
A3			

MOLEX INCORPORATED	SHEET NO.
	1 OF 3

10 9 8 7 6 5 4 3 2 1

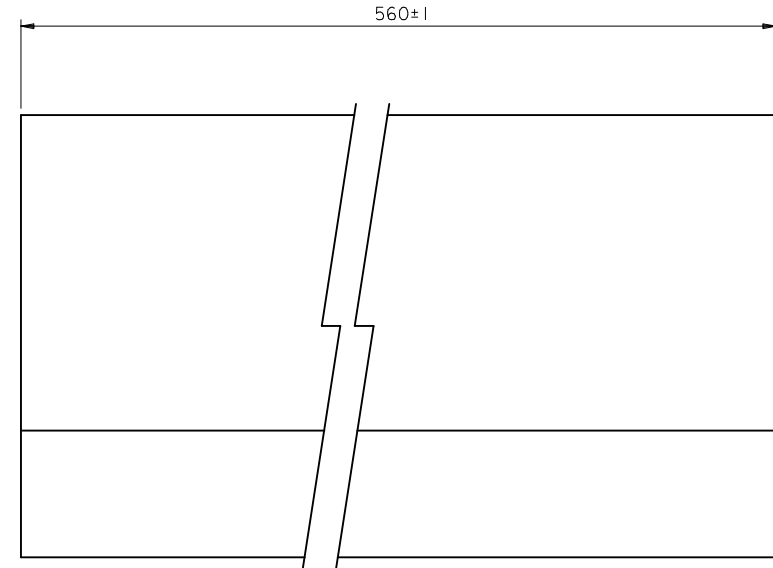


MYLAR AREA



NOTE:

1. DETAIL DIMENSIONS, PLEASE REFER TO SHEET 1 OF SD-89485-003
2. THE TUBE PACKAGE INCLUDE TWO PLUGS ON RIGHT AND LEFT SIDES.
3. TUBE PACKAGING SPECIFICATION REFER TO: PK-89485-001



PART NUMBER LEGEND:

P/N FOR TUBE PACKING AND MYLAR ADDITION			
MATERIAL NUMBER	DIMENSION 'A'	PLATING SPECIFICATION	
WITH MYLAR	89485-8100	2.00 <sup>+0.35</sup> <sub>-0.15</sub>	GOLD FLASH PLATING ON CONTACT AREA
	89485-8101		30 MICRO INCH GOLD PLATING ON CONTACT AREA
	89485-8102	2.50 <sup>+0.35</sup> <sub>-0.10</sub>	GOLD FLASH PLATING ON CONTACT AREA
	89485-8103		30 MICRO INCH GOLD PLATING ON CONTACT AREA

NEW RELEASE  
 EC NO: SH2009-0233  
 DR: WINEZHAO 2008/12/02  
 CHK: RZHANG 2008/12/12  
 APPR: HWANG 2008/12/17

QUALITY SYMBOLS

	GENERAL TOLERANCES (UNLESS SPECIFIED)	
	mm	INCH
4 PLACES	± ---	± ---
3 PLACES	± ---	± ---
2 PLACES	± 0.25	± .010
1 PLACE	± 0.25	± .010
ANGULAR ± 3 °		

DRAFT WHERE APPLICABLE MUST REMAIN WITHIN DIMENSIONS

DIMENSION STYLE	
MM ONLY	
DRAWN BY	DATE
CHECKED BY	DATE
APPROVED BY	DATE
MATERIAL NO.	SEE TABLE
SIZE	A3

SCALE	DESIGN UNITS	THIRD ANGLE PROJECTION
4:1	METRIC	
TITLE		
SINGLE PORT UP-RIGHT USB CONNECTOR LEAD-FREE		
MOLEX INCORPORATED		SHEET NO.
DOCUMENT NO. SD-89485-003		2 OF 3
THIS DRAWING CONTAINS INFORMATION THAT IS PROPRIETARY TO MOLEX INCORPORATED AND SHOULD NOT BE USED WITHOUT WRITTEN PERMISSION		

9 8 7 6 5 4 3 2 1

10 9 8 7 6 5 4 3 2 1

F

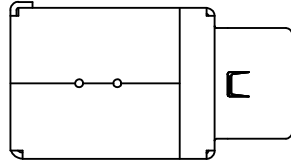
E

D

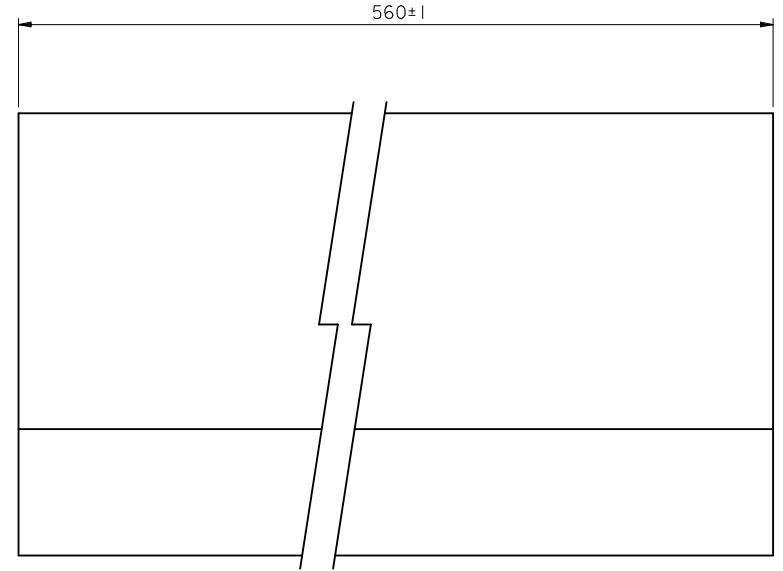
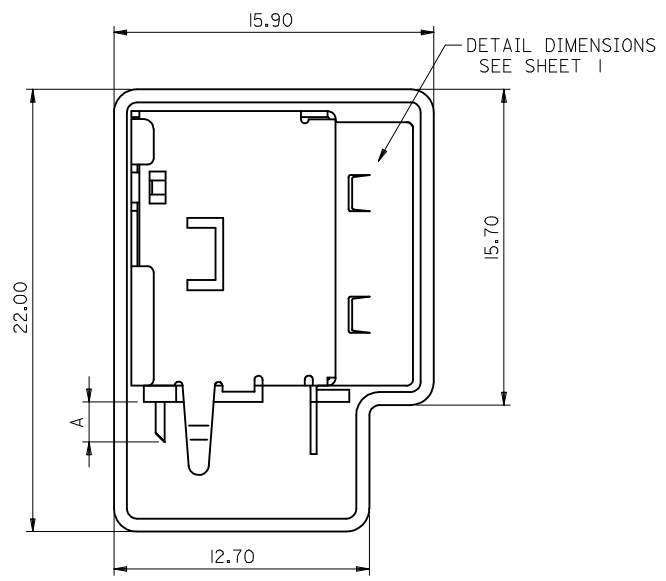
C

B

A



NOTE:  
 1.DETAIL DIMENSIONS , PLEASE REFER TO SHEET 1 OF SD-89485-003  
 2.THE TUBE PACKAGE INCLUDE TWO PLUGS ON RIGHT AND LEFT SIDES.  
 3.TUBE PACKAGING SPECIFICATION REFER TO: PK-89485-001



PART NUMBER LEGEND:

P/N FOR TUBE PACKING		
MATERIAL NUMBER	DIMENSION *A	PLATING SPECIFICATION
WITHOUT MYLAR	2.00 <sup>+0.35</sup> <sub>-0.15</sub>	89485-8200 GOLD FLASH PLATING ON CONTACT AREA
		89485-8201 30 MICRO INCH GOLD PLATING ON CONTACT AREA
WITHOUT MYLAR	2.50 <sup>+0.35</sup> <sub>-0.10</sub>	89485-8202 GOLD FLASH PLATING ON CONTACT AREA
		89485-8203 30 MICRO INCH GOLD PLATING ON CONTACT AREA

fb\_frame\_A3\_P\_AM\_T Rev. E 2006/04/15

**NEW RELEASE**  
 EC NO: SH2009-0233  
 DR:WNEZHAO 2008/12/02  
 CHYKD:RZHANG 2008/12/12  
 APPR:HWANG 2008/12/17

QUALITY SYMBOLS  
 =0  
 =0

GENERAL TOLERANCES (UNLESS SPECIFIED)

	mm	INCH
4 PLACES	±---	±---
3 PLACES	±---	±---
2 PLACES	±0.25	±.010
1 PLACE	±0.25	±.010

ANGULAR ± 3 °

DRAFT WHERE APPLICABLE MUST REMAIN WITHIN DIMENSIONS

DIMENSION STYLE  
**MM ONLY**

SCALE  
**4:1**

DESIGN UNITS  
**METRIC**

THIRD ANGLE PROJECTION

DRAWN BY DAVID HU  
 CHECKED BY  
 APPROVED BY  
 MATERIAL NO.  
**SEE TABLE**

TITLE  
**SINGLE PORT UP-RIGHT USB CONNECTOR LEAD-FREE**

MOLEX INCORPORATED

DOCUMENT NO. SD-89485-003

SHEET NO. 3 OF 3

THIS DRAWING CONTAINS INFORMATION THAT IS PROPRIETARY TO MOLEX INCORPORATED AND SHOULD NOT BE USED WITHOUT WRITTEN PERMISSION

9 8 7 6 5 4 3 2 1