



# Frontier Electronics Corp.

667 E. COCHRAN STREET, SIMI VALLEY, CA 93065

TEL: (805) 522-9998 FAX: (805) 522-9989

E-mail: [frontiersales@frontierusa.com](mailto:frontiersales@frontierusa.com)

Web: <http://www.frontierusa.com>

## HIGH VOLTAGE RECTIFIER ASSEMBLIES

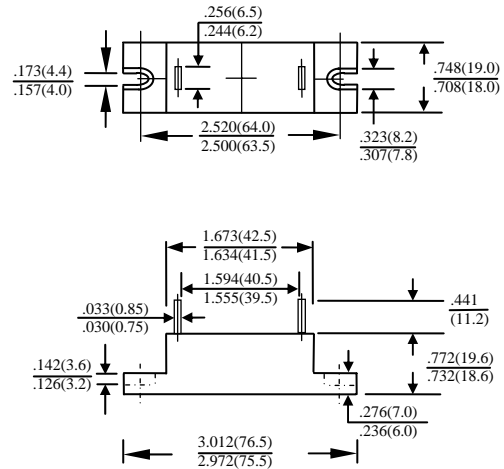
### HV07-08 THRU HV07-16

#### FEATURES

- ISOLATED CASE
- SURGE OVERLOAD RATING-50 AMPERES PEAK
- SILVER-PLATED COPPER TERMINALS
- LOW LEAKAGE, LOW FORWARD VOLTAGE DROP

#### MECHANICAL DATA

- CASE: HV07, DIMENSIONS IN INCHES AND (MILLIMETERS)
- POLARITY: CATHODE TO LARGE HOLE TERMINAL
- WEIGHT: 30 GRAMS



MAXIMUM RATINGS AND ELECTRICAL CHARACTERISTICS RATINGS AT 25°C AMBIENT TEMPERATURE UNLESS OTHERWISE SPECIFIED SINGLE PHASE, HALF WAVE, 60 HZ, RESISTIVE OR INDUCTIVE LOAD FOR CAPACITIVE LOAD, DERATE CURRENT BY 20%

RATINGS	SYMBOL	HV07-08	HV07-09	HV07-10	HV07-12	HV07-14	HV07-15	HV07-16	UNITS
MAXIMUM RECURRENT PEAK REVERSE VOLTAGE	$V_{RRM}$	8000	9000	10000	12000	14000	15000	16000	V
MAXIMUM RMS VOLTAGE	$V_{RMS}$	5600	6300	7000	8400	9800	10500	11200	V
MAXIMUM DC BLOCKING VOLTAGE	$V_{DC}$	8000	9000	10000	12000	14000	15000	16000	V
MAXIMUM AVERAGE FORWARD RECTIFIED CURRENT AT TC=60°C	$I_O$	750							mA
PEAK FORWARD SURGE CURRENT	$I_{FSM}$	50							A
STORAGE TEMPERATURE RANGE	$T_{STG}$	- 20 TO + 135							°C
OPERATING TEMPERATURE RANGE	$T_{OP}$	- 20 TO + 135							°C

#### ELECTRICAL CHARACTERISTICS (A<sub>T</sub> T<sub>A</sub> =25°C UNLESS OTHERWISE NOTED)

CHARACTERISTICS	SYMBOL	HV07-08	HV07-09	HV07-10	HV07-12	HV07-14	HV07-15	HV07-16	V
MAXIMUM FORWARD VOLTAGE AT I <sub>O</sub> DC	$V_F$	10.0			14.0		16.0		V
MAXIMUM REVERSE CURRENT AT 25°C	$I_R$	5							μA

# RATINGS AND CHARACTERISTICS HV07-08 THRU HV07-16

FIG. 1 - FORWARD CURRENT DERATING CURVE

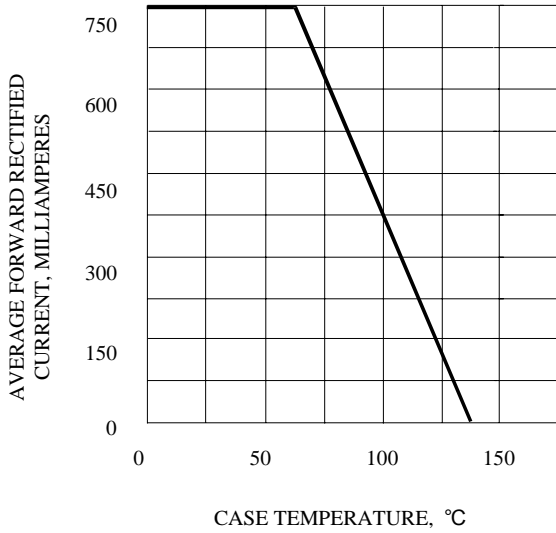


FIG. 2 - TYPICAL REVERSE CHARACTERISTICS 25°C T<sub>A</sub>

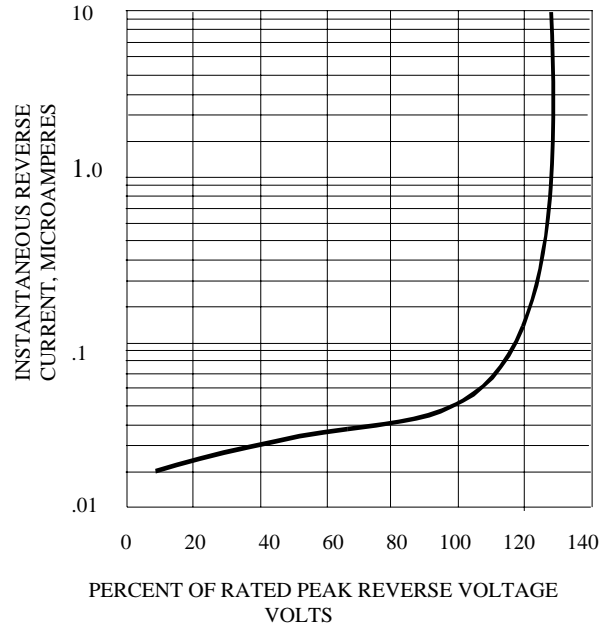


FIG. 3 - PEAK FORWARD SURGE RATING

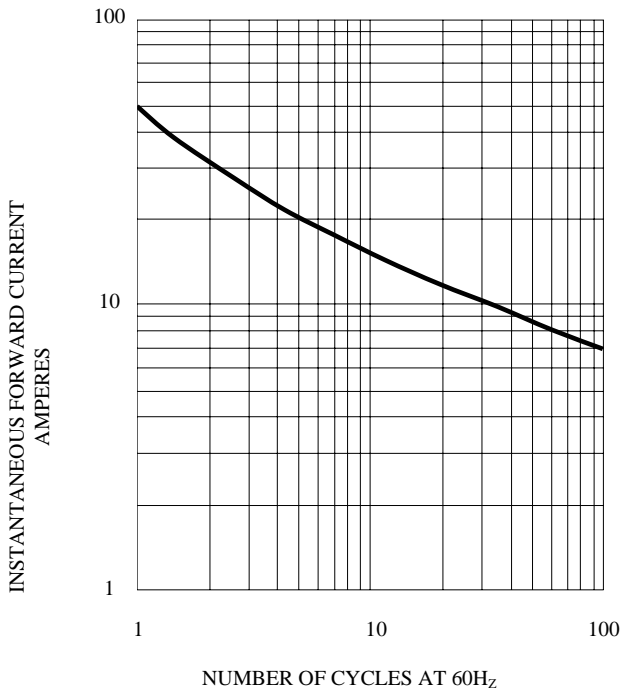


FIG. 4 - TYPICAL INSTANTANEOUS FORWARD CHARACTERISTICS

