

Slot Machine Transformers



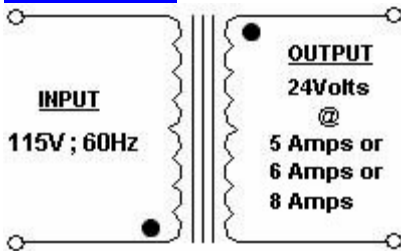
Series: SM



- Especially designed for Pachislo, Pachinko and domestic slot-machines
- 5Amp, 6Amp and 8Amp models
- Thermal cut-out protects from short-circuit or overload
 - One-shot thermal cut-out (TCO)
 - Auto-resetable thermal cut-out (RTC)
- UL, CSA and CE pending

Transformer is the "heart" of your game. It must provide enough power for the machine to operate with bright lights and good quality sounds. Under normal operation, transformer should never over heat. The conservative design of our series SM transformers assures you of best performance.

Schematics



In case of abnormal operation such as overload or short circuit in the game, the models fitted with thermal cut-out will protect against any damage. With one-shot cut-out, the transformer must be replaced, after it trips. However, the resetable cut-out will reset automatically after the transformer cools down and the game is ready to play again within a few minutes.

Designed and manufactured in Illinois/USA, we have complete control on quality and on-time delivery.

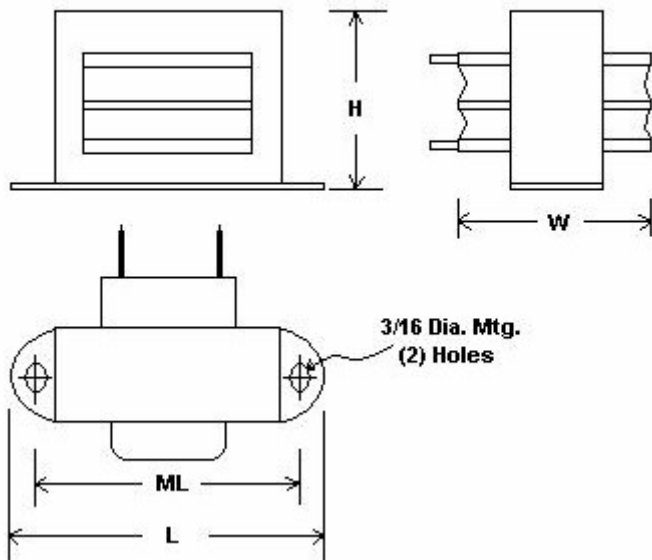
Standard Models

Part Number	Input Volts	Output Volts	Current Amps	DIMENSIONS					WGT Lbs
				L	W	H	ML	MW	
SM 5-24	115	24	5	4.031"	2.25"	2.563"	3.563"	-	2.75
SM 6-24	115	24	6	2.81"	2.87"	3.37"	2.25"	2.50"	4.1
SM 6-24-TC									
SM 6-24-RTC									
SM 8-24	115	24	8	3.12"	2.87"	3.75"	2.50"	2.50"	5.5
SM 8-24-TC									
SM 8-24-RTC									

TC: One-shot thermal cut-out; RTC: Auto-resetable thermal cut-out.

Mechanical Drawings

SM 5-24



SM 6-24 / SM 8-24

