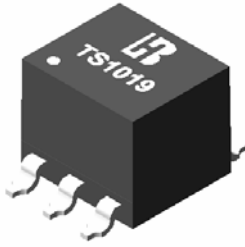


SMD PACKAGE PULSE TRANSFORMER

P/N:TS1019 DATA SHEET

Feature

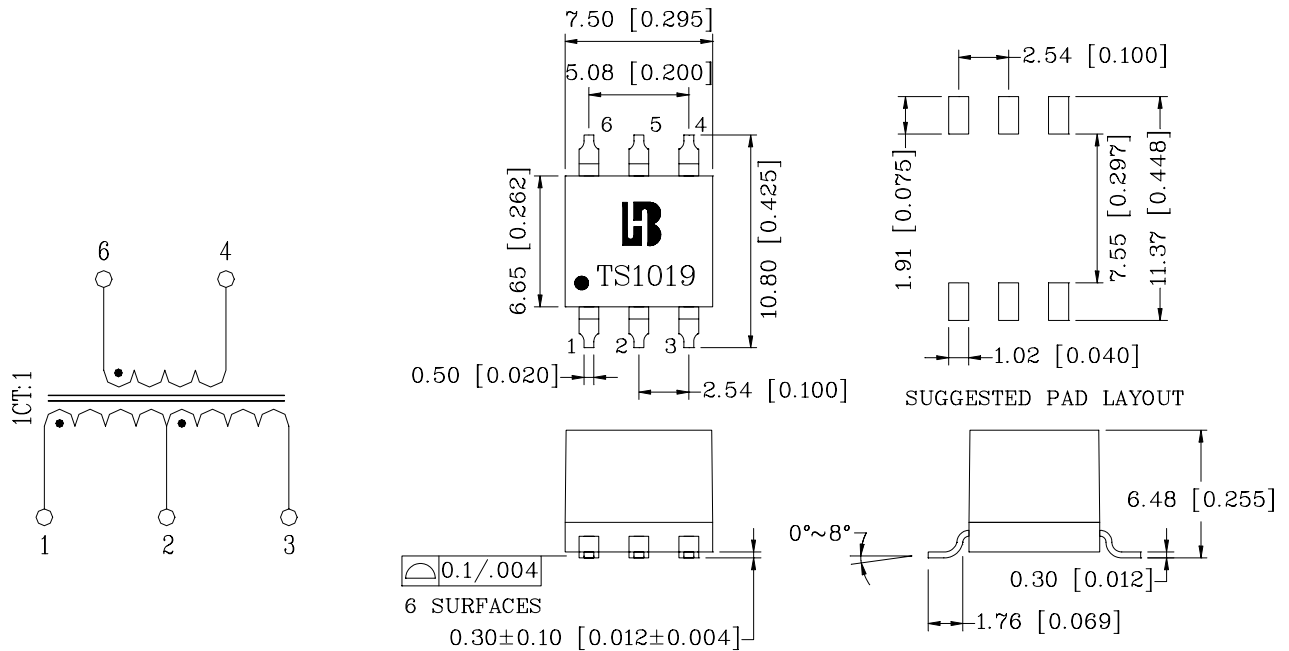


- Operation temperature range: 0°C to +70°C.
- Storage temperature range: -25°C to +125°C.

Electrical Specifications @ 25°C							
Part Number	Turns Ratio (±3%)	OCL (mH Min)	L.L (uH Min)	C _{ww} (pF Max)	DCR (Ω Max) PRI/SEC	PRI Pins	HI-POT (Vrms)
TS1019	1:2CT	1.75	0.5	40	0.7/1.4	6-4	1500

Schematic

Mechanical



Units: mm[Inches] Tolerances: xx.x0±0.25[0.010]
0.xx±0.05[0.002]