

Customer Information Sheet

DRAWING No.: M50-350XXXX

SHEET 2 OF 2

IF IN DOUBT - ASK

©

NOT TO SCALE

THIRD ANGLE PROJECTION

ALL DIMENSIONS IN mm

NOTES:

- ALL TOLERANCES ARE ± 0.25 UNLESS OTHERWISE STATED.
- RECOMMENDED HOLE SIZE = $\varnothing 0.70 \pm 0.05$ mm.

SPECIFICATION:

MATERIAL:

MOULDING = HIGH TEMP THERMOPLASTIC UL94V-0, BLACK

CONTACT = HIGH STRENGTH COPPER ALLOY

FINISH (CONTACT):

42 = 0.15 - 0.08 μ GOLD ON CONTACT AREA,

2.5 - 3.0 μ 100% TIN ON TAILS,

ALL OVER 0.70 - 1.3 μ NICKEL

45 = 0.15 - 0.08 μ GOLD OVER 0.70 - 1.3 μ NICKEL

ELECTRICAL:

CURRENT RATING (ALL CONTACTS ARE ELECTRICALLY LOADED) = 1A MAX

CONTACT RESISTANCE = 30 m Ω MAX

INSULATION RESISTANCE = 1,000 M Ω MIN

DIELECTRIC STRENGTH = 500V AC/DC

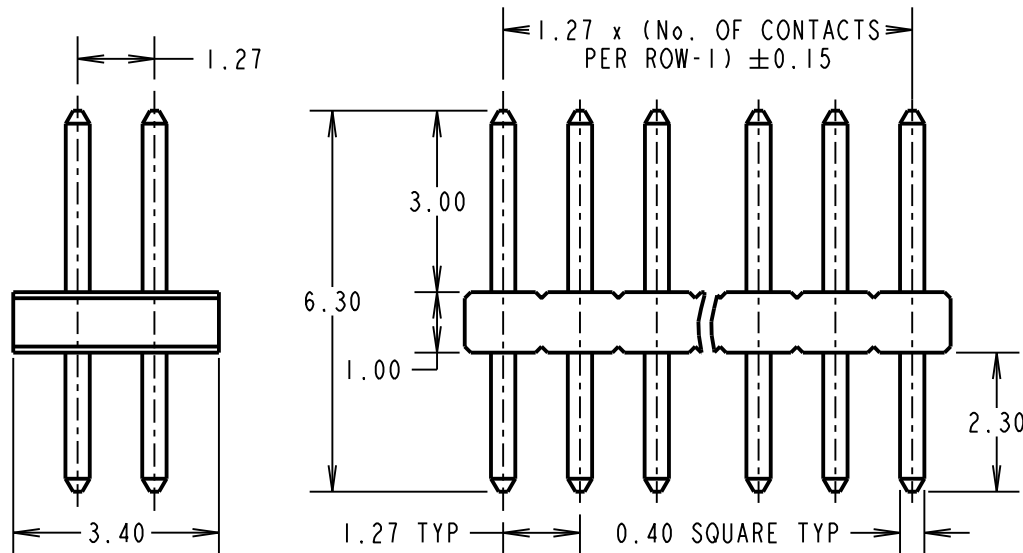
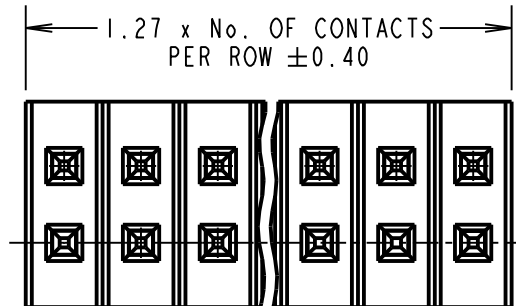
MECHANICAL:

DURABILITY = 600 OPERATIONS

ENVIRONMENTAL:

TEMPERATURE RANGE = -40°C TO +105°C

FOR COMPLETE SPECIFICATION, SEE COMPONENT SPECIFICATION C029XX (LATEST ISSUE)



ORDER CODE:

M50-350XXXX

No. OF CONTACTS PER ROW
01 TO 50

FINISH:

42 = SELECTIVE GOLD + 100% TIN
45 = GOLD

MGP	11	18.10.12	11849
-----	----	----------	-------

NAME	ISS.	DATE	C/NOTE
------	------	------	--------

APPROVED: MGP

CHECKED: SF

DRAWN: W. J. BOURNE

CUSTOMER REF.:

ASSEMBLY DRG:

HARWIN

www.harwin.com
technical@harwin.com

THIS DRAWING AND ANY INFORMATION OR DESCRIPTIVE MATTER SET OUT HEREON ARE CONFIDENTIAL AND COPYRIGHT PROPERTY OF THE HARWIN GROUP AND MUST NOT BE DISCLOSED, LOANED, COPIED OR USED FOR MANUFACTURING, TENDERING OR FOR ANY OTHER PURPOSE WITHOUT THEIR WRITTEN PERMISSION.

TOLERANCES
X = ± 1 mm
X.X = ± 0.25 mm
X.XX = ± 0.10 mm
X.XXX = ± 0.01 mm
ANGLES = $\pm 5^\circ$
UNLESS STATED

MATERIAL:

SEE ABOVE

FINISH: SEE ABOVE

S/AREA:

mm²

TITLE:

1.27mm PITCH DIL
VERTICAL PIN HEADER

DRAWING NUMBER:

M50-350XXXX

SHT
2
OF
2