



SF2143A

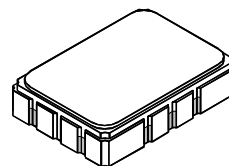
72.54/80.46 MHz SAW Diplexer

- Designed for SDARS IF Receiver
- SAW Diplexer 72.54 / 80.46 MHz
- 11.4 X 5.3 mm Surface-Mount Case
- Complies with Directive 2002/95/EC (RoHS)



Absolute Maximum Ratings

Rating	Value	Units
Maximum Incident Power in Passband	+10	dBm
Maximum DC Voltage between any Two Terminals	0	VDC
Operating Temperature Range	-40 to +105	°C



SM11453-10

Electrical Characteristics

TDM1 Filter Characteristic	Sym	Notes	Min	Typ	Max	Units
Nominal Center Frequency	F_C	1	72.54			MHz
1 dB Bandwidth	BW_1		3.7	4.3		MHz
15 dB Bandwidth	BW_{15}			5.5	6.7	MHz
30 dB Bandwidth	BW_{30}			6.0	7.7	MHz
Passband Minimum Insertion Loss including the Matching Network	IL_{MIN}			15.3	18	dB
Amplitude Ripple, $F_C \pm 1.85$ MHz				0.7		dB _{p-p}
Attenuation Relative to IL_{MIN}			40	49		dB
	50.00 to 66.48 MHz		37	42		dB
	66.48 to 68.08 MHz		37	40		dB
	77.30 to 78.60 MHz		40	45		dB
	78.60 to 86.50 MHz		45	61		dB
			45	66		dB
91.50 to 100.0 MHz				83		nS _{p-p}
Group Delay Ripple						nS _{p-p}
Source Impedance (Differential)			27 ohms or 200 ohms			
Load Impedance (Differential)			1K ohms or 1.5K ohms			

TDM2 Filter Characteristic	Sym	Notes	Min	Typ	Max	Units
Nominal Center Frequency	F_C	1	80.46			MHz
1 dB Bandwidth	BW_1		3.7	4.3		MHz
15 dB Bandwidth	BW_{15}			5.5	6.7	MHz
30 dB Bandwidth	BW_{30}			6.4	7.7	MHz
Passband Minimum Insertion Loss including the Matching Network	IL_{MIN}			15.7	19.5	dB
Amplitude Ripple, $F_C \pm 1.85$ MHz				1.5		dB _{p-p}
Attenuation Relative to IL_{MIN}			34	41		dB
	50.00 to 74.39 MHz		30	35		dB
	74.39 to 75.99 MHz		40	42		dB
	85.21 to 86.50 MHz		43	44		dB
	86.50 to 91.50 MHz		45	56		dB
				120		nS _{p-p}
Group Delay Ripple						nS _{p-p}
Source Impedance (Differential)			27 ohms or 200 ohms			
Load Impedance (Differential)			1K ohms or 1.5K ohms			

Case Style		6	SM11453 11.4 x 5.3 mm Nominal Footprint			
Lid Symbolization (YY=year, WW=week, S=shift) See note 4			RFM SF2143A YYWWS			

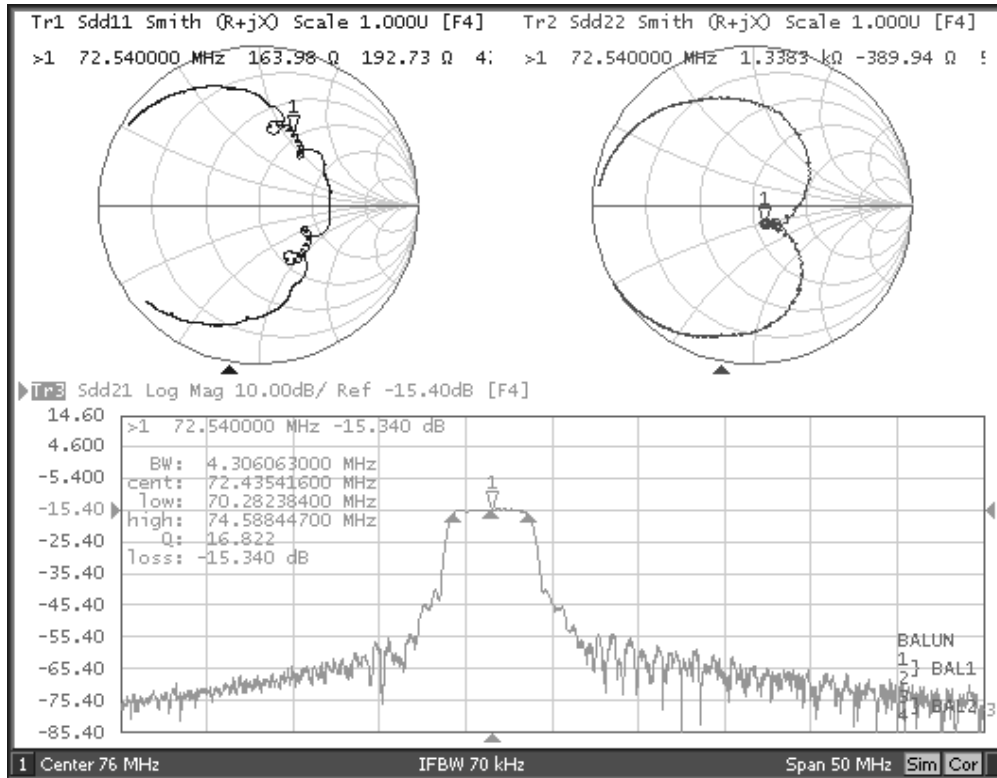


CAUTION: Electrostatic Sensitive Device. Observe precautions for handling.

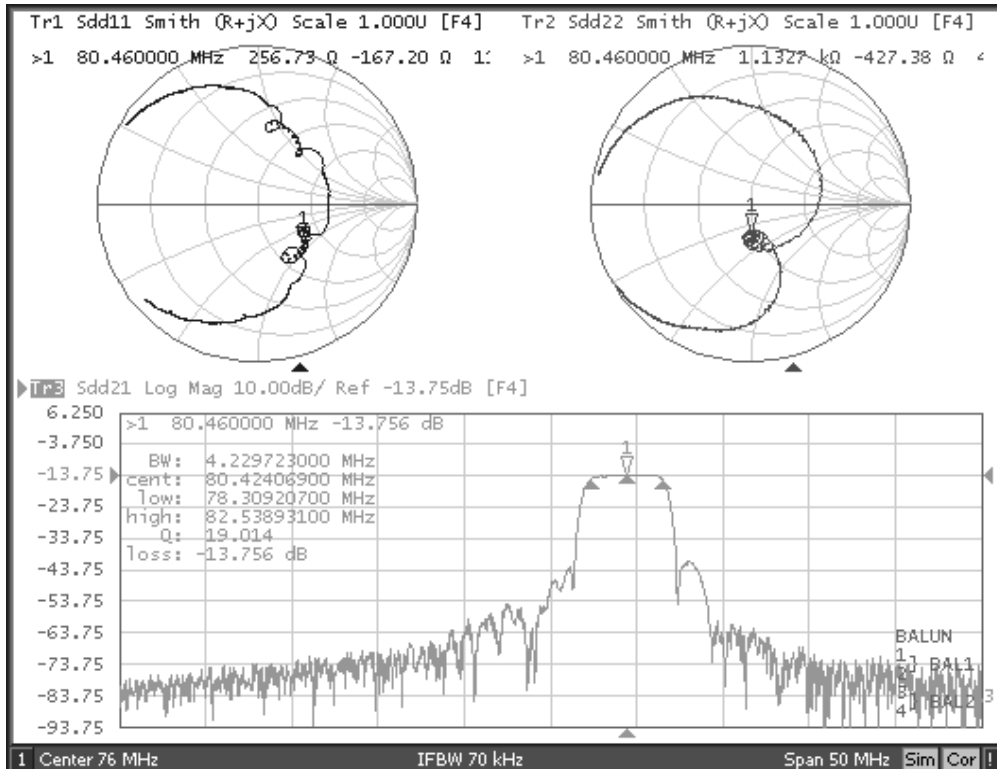
Notes:

1. Unless noted otherwise, all specifications apply over the operating temperature range with filter soldered to the specified demonstration board with impedance matching to 50 Ω and measured with 50 Ω network analyzer.
2. Unless noted otherwise, all frequency specifications are referenced to the nominal center frequency, fc.
3. Rejection is measured as attenuation below the minimum IL point in the passband. Rejection in final user application is dependent on PCB layout and external impedance matching design. See Application Note No. 42 for details.
4. "LRIP" or "L" after the part number indicates "low rate initial production" and "ENG" or "E" indicates "engineering prototypes."
5. The design, manufacturing process, and specifications of this filter are subject to change.
6. Tape and Reel Standard ANSI / EIA 481.
7. Either Port 1 or Port 2 may be used for either input or output in the design. However, impedances and impedance matching may vary between Port 1 and Port 2, so that the filter must always be installed in one direction per the circuit design.
8. US and international patents may apply.
9. RFM, stylized RFM logo, and RF Monolithics, Inc. are registered trademarks of RF Monolithics, Inc.
10. ©Copyright 2009, RF Monolithics Inc.

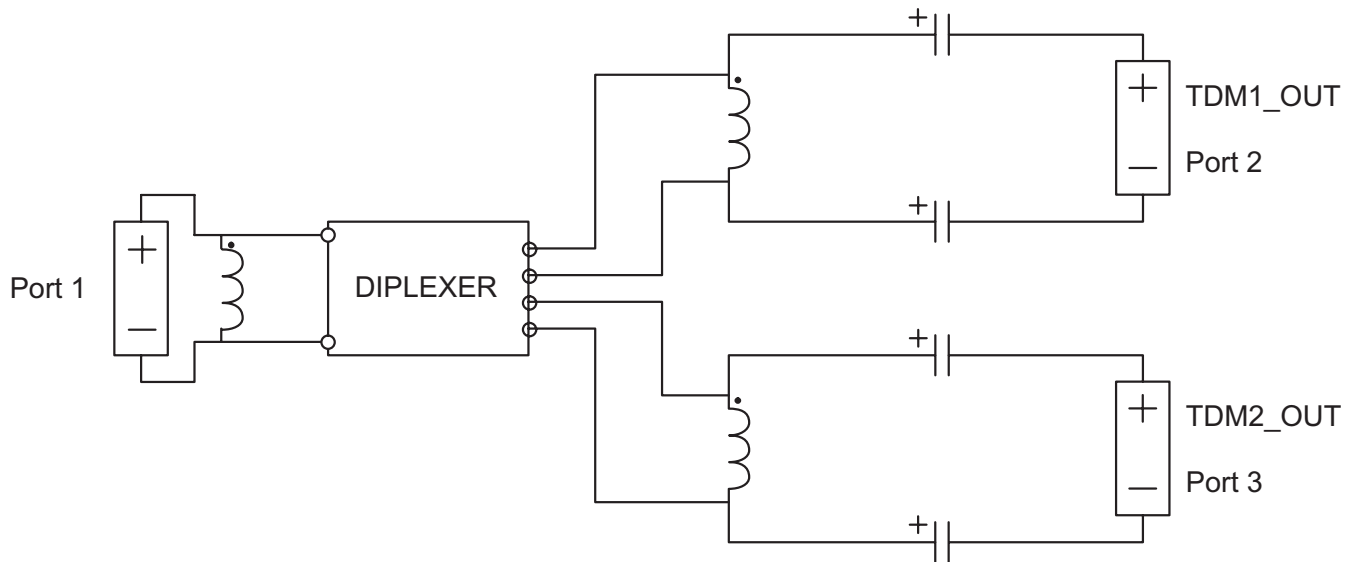
SF2143A TDM1 Filter Response



SF2143A TDM2 Filter Response



Matching Circuit:

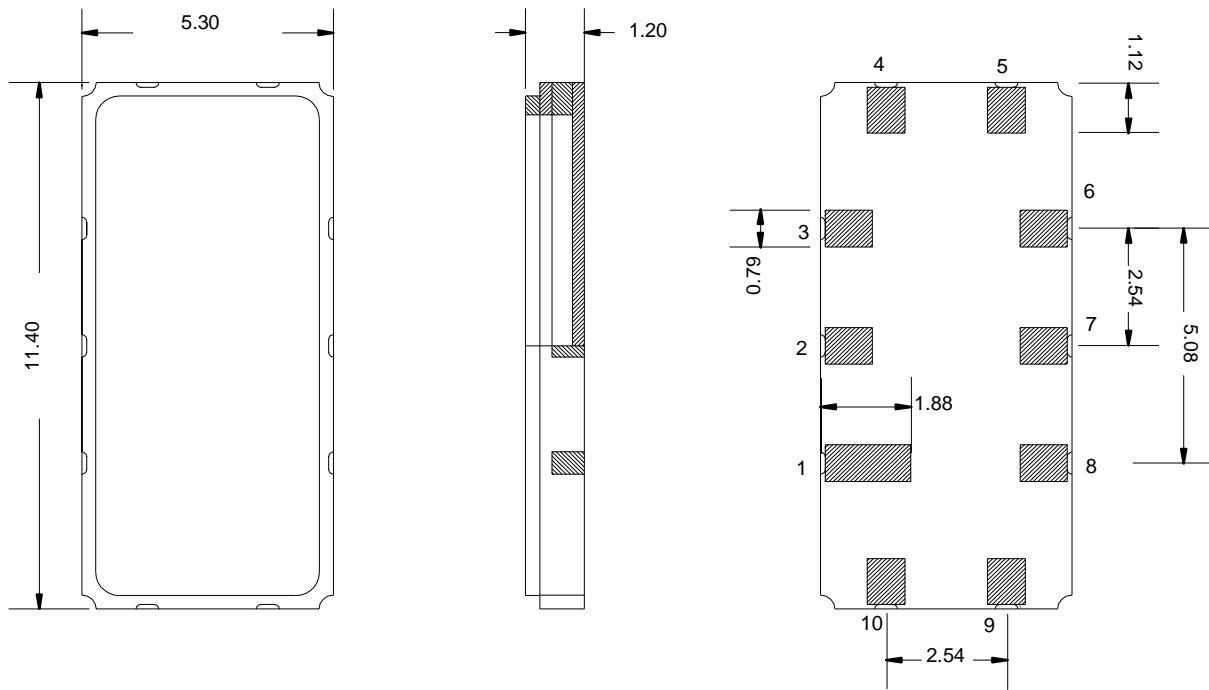


SM11453-10 Case

10-Terminal Ceramic Surface-Mount Case

11.4 x 5.3 mm Nominal Footprint

Electrical Connections		
Connection		Terminals
Port 1	Input	9, 10
Port 2	TDM1	5, 6
Port 3	TDM2	3, 4
	Ground	All Others

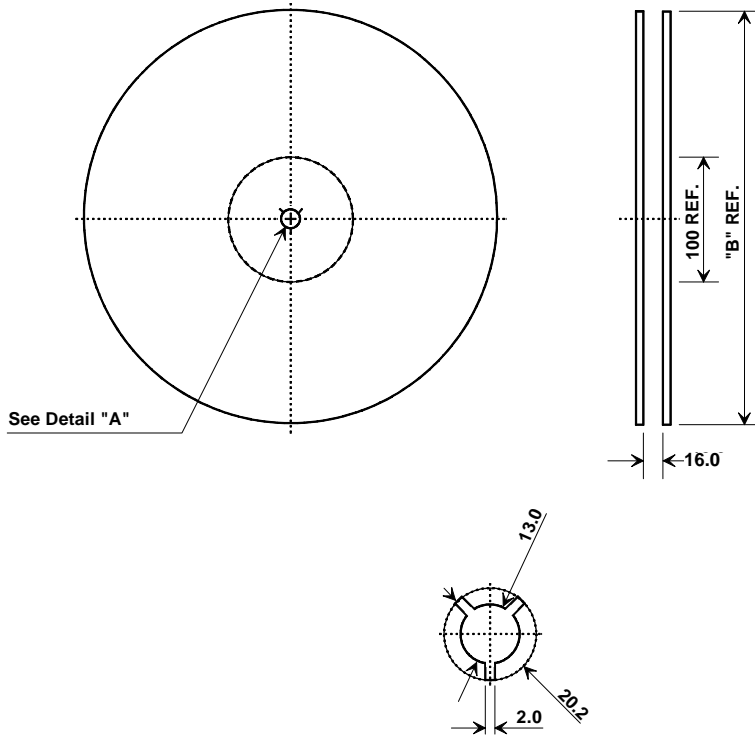


PLATING

15-40uINS GOLD TO MIL-G-45204, TYPE 3, GRADE A,
OVER 80-200uINS NICKEL TO FED SPEC. QQ-N-290.

ALL DIMENSIONS IN MM

Tape and Reel Specifications



"B"		Quantity Per Reel
Inches	millimeters	
7	178	500
13	330	2000

COMPONENT ORIENTATION and DIMENSIONS

Carrier Tape Dimensions	
Ao	5.5 mm
Bo	7.5 mm
Ko	2.0 mm
Pitch	8.0 mm
W	16.0 mm

