

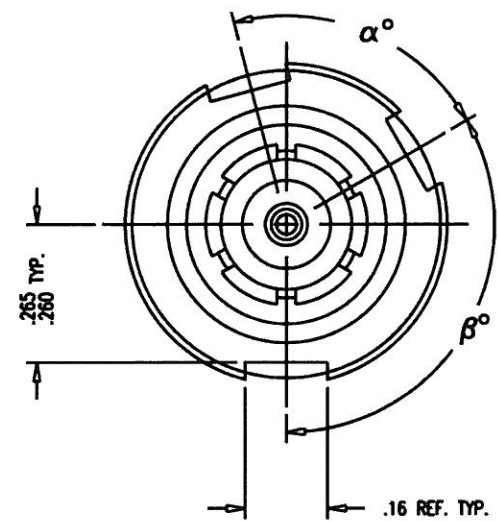
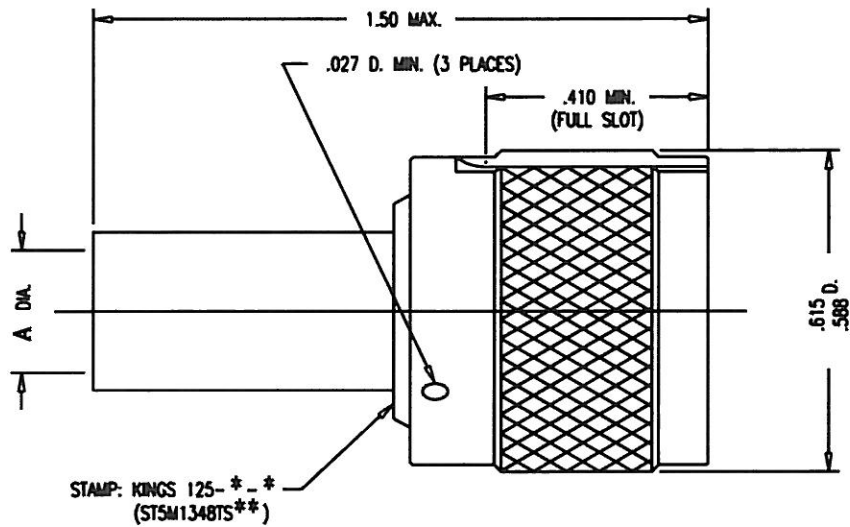
DASH NO. M CODE MADE FROM

# GSD

125- \*- \* (SHEET 1 OF 2)

**REVISIONS**

ISSUE	CHANGES
1	CN 32553 E REDRAWN JCA 10/04/90
2	CN 33366 E JCA 09/27/91



**NOTES:**

- MATERIALS:**  
INSULATOR: TEFLON, ASTM-D-1457  
GASKET: SIL. RUB., ZZ-R-765  
C-RING: BER. COP., ASTM-B-196  
K-GRIP SLEEVE: COM. BRONZE TUBE, ALLOY 220  
ALL OTHER PARTS: BRASS, ASTM-B16
- FINISHES:**  
CENTER CONTACT: HARD GOLD PLT. PER MIL-G-45204  
ALL OTHER METAL PARTS: SILVER PLT. PER QQ-S-365
- ELECTRICAL CHARACTERISTICS:**  
NOMINAL IMPEDANCE: 50 OHMS  
VOLTAGE RATING: 500 VRMS  
FREQUENCY RANGE: DC TO 11 GHz

JCA0946

SCALE 4:1

APPROX SURFACE AREA

USED ON

REF: MC AIR ST5M1348TS\*\*

**PLUG, TNC, KEYED**

DRAWN JCA DATE 10/04/90

DESIGN MJB DATE 10/04/90

APPR. DATE

**KINGS**  
ELECTRONICS CO., INC.  
TUCKAHOE, NEW YORK 10707

125- \*- \*  
(SHEET 1 OF 2)

# GSD

KINGS NO.	MCDONNELL DOUGLAS NO.	A DIA.	$\alpha^\circ$	$\beta^\circ$	CABLE GROUPS	JACKET TRIM JIG	DIELECTRIC TRIM JIG	CRIMP DIE	REVISIONS		
									ISSUE	CHANGES	
125-1-1	ST5M1348TS1B	.22 D.	72	120	FOR USE WITH RG-142, 223 & 400/U CABLE GROUPS.		KTD-166		125- * - * (SHEET 2 OF 2)	1	CN 32553 E REDRAWN JCA 10/04/90
125-1-2	ST5M1348TS2B		96	96							
125-1-3	ST5M1348TS3B		120	144							
125-1-4	ST5M1348TS4B		72	144							
125-1-5	ST5M1348TS5B		120	120							
125-1-6	ST5M1348TS6B		120	72							
125-1-7	ST5M1348TS7B		120	96							
125-1-8	ST5M1348TS8B		110	72							
125-2-1	ST5M1348TS1C	.21 D.	72	120	FOR USE WITH G.D. 5M1010-1 CABLE.	KTJ-113	KTD-24	KTH-2001		2	CN 33366 E JCA 09/27/91
125-2-2	ST5M1348TS2C		96	96							
125-2-3	ST5M1348TS3C		120	144							
125-2-4	ST5M1348TS4C		72	144							
125-2-5	ST5M1348TS5C		120	120							
125-2-6	ST5M1348TS6C		120	72							
125-2-7	ST5M1348TS7C		120	96							
125-2-8	ST5M1348TS8C		110	72							
125-3-1	ST5M1348TS1D		72	120	FOR USE WITH G.D. ST5M1347 CABLE.		KTD-244				
125-3-2	ST5M1348TS2D		96	96							
125-3-3	ST5M1348TS3D		120	144							
125-3-4	ST5M1348TS4D		72	144							
125-3-5	ST5M1348TS5D		120	120							
125-3-6	ST5M1348TS6D		120	72							
125-3-7	ST5M1348TS7D		120	96							
125-3-8	ST5M1348TS8D		110	72							
125-4-1	ST5M1348TS1E	.18 D.	72	120	FOR USE WITH G.D. ST5M1351 & RG-180 CABLE.	KTJ-116	KTD-161	KTH-2007			
125-4-2	ST5M1348TS2E		96	96							
125-4-3	ST5M1348TS3E		120	144							
125-4-4	ST5M1348TS4E		72	144							
125-4-5	ST5M1348TS5E		120	120							
125-4-6	ST5M1348TS6E		120	72							
125-4-7	ST5M1348TS7E		120	96							
125-4-8	ST5M1348TS8E		110	72							

SCALE 1:1	
APPROX SURFACE AREA	
USED ON	
REF: MC AIR ST5M1348TS**	
<b>TNC PLUG</b>	
DRWN JCA	DATE 10/04/90
DESIGN MJB	DATE 10/04/90
APPR.	DATE
<b>KINGS</b> ELECTRONICS CO., INC. TUCKAHOE, NEW YORK 10707	
125- * - * (SHEET 2 OF 2)	

GSD

GSD