

UNSHIELDED RADIAL POWER INDUCTOR



P11R41010 SERIES



- Low cost, high current
- Inductance range from 10 - 1,000 μH
- Open construction
- Optional inductance tolerance: K = $\pm 10\%$ (add suffix letter for tolerance after the part number)
- Operating temperature range: -40°C to $+85^{\circ}\text{C}$
- RoHS compliant product

ELECTRICAL SPECIFICATION @ 25°C

Part Number	Inductance (μH) ($\pm 20\%$)	DCR (Ω) (Max)	RATED I_{DC} (A)
P11R41010-100	10	0.022	5.30
120	12	0.023	4.90
150	15	0.026	4.40
180	18	0.033	4.00
220	22	0.037	3.60
270	27	0.048	3.30
330	33	0.055	2.90
390	39	0.073	2.70
470	47	0.083	2.50
560	56	0.092	2.30
680	68	0.12	2.10
820	82	0.14	1.90
101	100	0.16	1.70
121	120	0.20	1.50
151	150	0.23	1.40
181	180	0.31	1.30
221	220	0.34	1.10
271	270	0.40	1.00
331	330	0.52	0.93
391	390	0.65	0.86
471	470	0.71	0.78
561	560	1.00	0.71
681	680	1.10	0.65
821	820	1.30	0.59
102	1000	1.70	0.53

- Inductance measured: 1KHz, $0.30V_{\text{RMS}}$
- I_{RATED} : Max 10% drop and $\Delta T=40^{\circ}\text{C}$ Temp Rise

Dimensions

Unless otherwise specified, all tolerances are:
 inch: .XX : ± 0.015 .XXX : ± 0.004
 mm: X,X : ± 0.38 X,XX : ± 0.10

Product performance is limited to specified parameters. Data is subject to change without prior notice.

13200 Estrella Ave., Bldg. B
Gardena, CA 90248

Tel: 310-325-1043
Fax: 310-325-1044

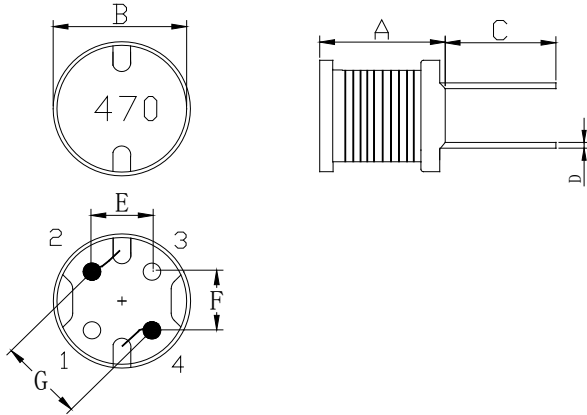
www.mpsind.com
sales@mpsind.com

UNSHIELDED RADIAL POWER INDUCTOR



P11R41010 SERIES

DIMENSIONS



$A = 10.0 \pm 0.5$	mm
$B = 10.0 \pm 0.5$	mm
$C = 3.5 \pm 0.5$	mm
$D = 0.6 \pm 0.1$	mm
$E = 4.0 \pm 0.5$	mm
$F = 5.0 \pm 0.5$	mm
$G = 6.5 \pm 0.4$	mm

Product performance is limited to specified parameters. Data is subject to change without prior notice.

Dimensions
 Unless otherwise specified, all tolerances are:
 inch: .XX : ± 0.015 .XXX : ± 0.004
 mm: X,X : $\pm 0,38$ X,XX : $\pm 0,10$

13200 Estrella Ave., Bldg. B
 Gardena, CA 90248

Tel: 310-325-1043
 Fax: 310-325-1044

www.mpsind.com
 sales@mpsind.com