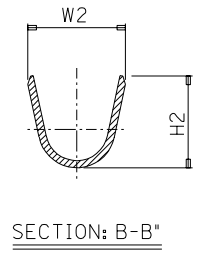
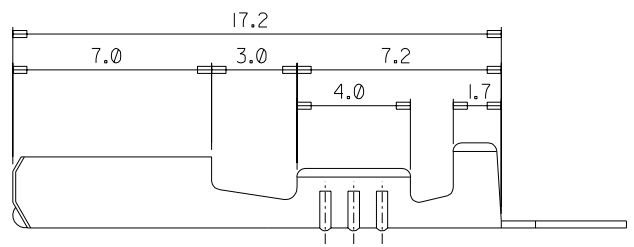
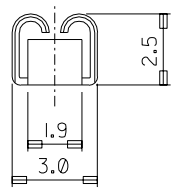
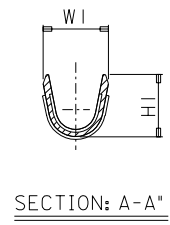
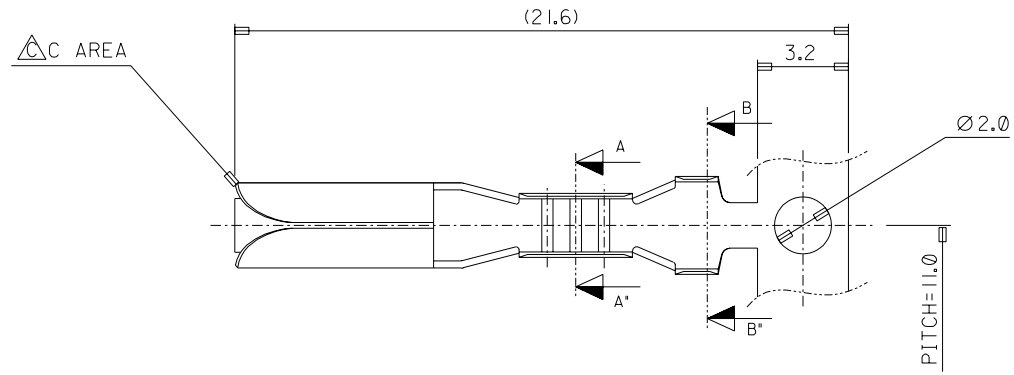


DO NOT SCALE DRAWING DIMENSION IN METRIC

PROJECT NO. SD-35768-001
 SIMILAR ITEM
 PROJECT NO.
 F
 D
 C
 B



NO.	ENG-NO.	TYPE	MATERIAL	WIRE SIZE (mm ²)	DIMENSION			
					W1	H1	W2	H2
1	35768-0110	(S)	BRASS	0.3 - 0.5	2.3	2.1	3.4	3.0
2	35768-0120		COPPER ALLOY					
3	35768-0210	(L)	BRASS	0.85 - 1.25	3.8	3.1	4.0	4.3
4	35768-0220		COPPER ALLOY					

NOTE

- MATERIAL: THICK=0.25
 1-1)BRASS(35982-5017):35768-0110,35768-0210
 1-2)COPPER ALLOY(35981-0005):35768-0120,35768-0220
- FINISH: PRE-TIN PLATED
- RECOMMENDED LENGTH OF WIRE STRIP: 5.0-6.0mm

REVISED EC NO. KOR2004-0088 DRAWN: M.KIM 04/01/12 CHK: B.C.YOON 04/01/12 APPR: C.W.LEE	QUALITY SYMBOLS MAJOR CRITICAL	GENERAL TOLERANCES: (UNLESS SPECIFIED)		SCALE 8:1	DESIGN UNITS <input checked="" type="checkbox"/> mm <input type="checkbox"/> INCH	DIMENSIONS: <input type="checkbox"/> mm <input type="checkbox"/> INCH <input checked="" type="checkbox"/> mm ONLY	SHT REVISE ON CAD ONLY	REV
		4 PLACES ±0.	±.	DRAWN BY & DATE W.Y.YANG '91.8.9				
C	DESCRIPTION	3 PLACES ±0.	±.	CHECKED BY & DATE B.K.CHOI		MOLEX INCORPORATED	SHEET NO. 1 OF 1	
		2 PLACES ±0.	±.	APPROVED BY & DATE C.W.LEE				
		1 PLACE ±0.25	±.	CAD FILENAME SD35768.dgn	MATERIAL NO. SEE TABLE	DRAWING NO. SD-35768-001	SIZE C	
DRAFT WHERE APPLICABLE MUST REMAIN WITHIN DIMENSIONS		THIS DRAWING CONTAINS INFORMATION THAT IS PROPRIETARY TO MOLEX INCORPORATED AND SHOULD NOT BE USED WITHOUT WRITTEN PERMISSION.						MX-A2