

# U Interface Transformer (4B3T Coding Applications)

Designed for use with Siemens PEB 2090/20901

Turns Ratio ( ± 3 % ) (Line : Chip)	1.32 : 1
-------------------------------------	----------

PARAMETER	MIN.	MAX.	UNITS
Primary Inductance (Line Side) Pins 1 to 5 with 2 & 4 shorted.	7.23	8.16	mH
Primary DC Resistance		2.4	ohms
Secondary DC Resistance		2.7	ohms
Isolation (Hi-Pot)	2000		V <sub>RMS</sub>
DC Bias		60	mA
Return Loss 10KHz & 25 KHz	20		dB

Flammability: Materials used in the production of these units meet requirements of UL94-VO and IEC 695-2-2 needle flame test.

*A Surface Mount Version of this part is available  
add suffix "G" to part number*

### Longitudinal Balance

5 KHz                      20 dB min.  
20 KHz to 150 KHz    40 dB min.  
1 MHz                     36 dB min.

### NOTE:

Operating Temp. Range -40°C to +85°C

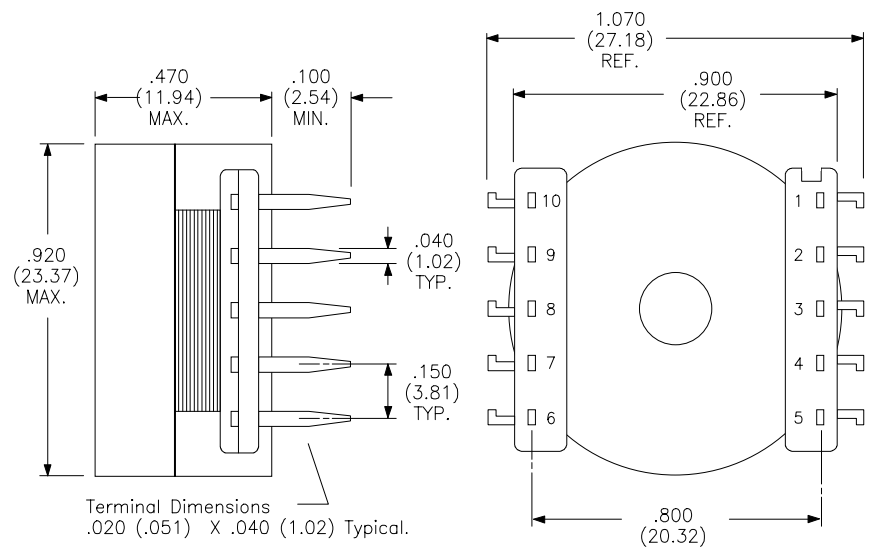
Primary is Line Side (Pins 1,2,4,5)  
Secondary is Chip Side (Pins 7,8,9)

### Surge Voltage Capability

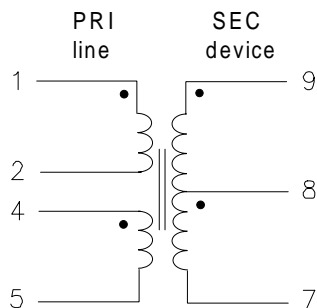
Metallic Voltage: 800 V peak, 10/560 μS

Longitudinal Voltage: 2400 V peak, 10/700 μS

### Physical Dimensions inches (mm)



### Schematic Diagram



Notch Indicates Pin #1

RHOMBUS P/N: T-13215

CUST P/N:

NAME:

DATE: 7/2/96

SHEET: 1 of 1