



## UT4232

Preliminary

Power MOSFET

### N-CHANNEL ENHANCEMENT MODE POWER MOSFET

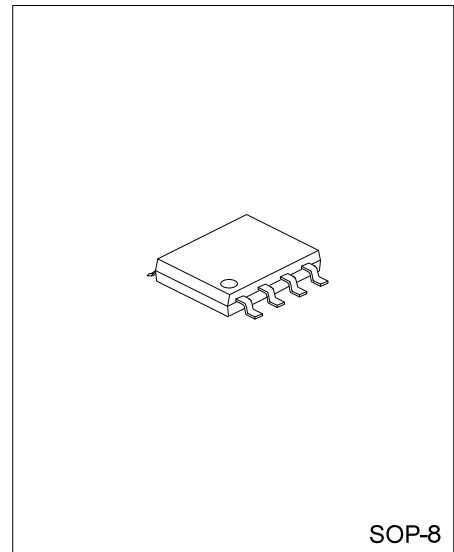
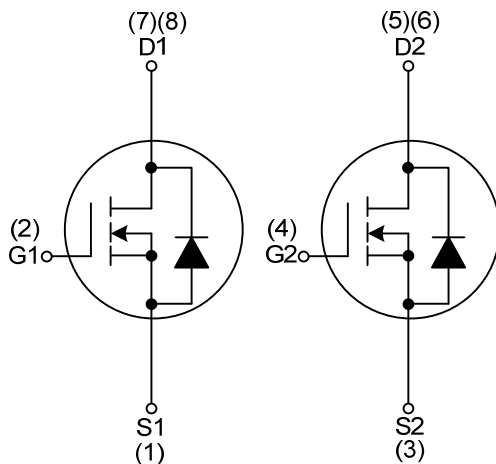
#### DESCRIPTION

The **UT4232** uses UTC advanced technology to provide excellent  $R_{DS(ON)}$ , low gate charge and to be operated with low gate voltages. This device is suitable for applications, such as high-side DC/DC conversion, notebook and server.

#### FEATURES

- \*  $V_{DS}(V)=30V$
- \*  $I_D=7A$  ( $V_{GS} = 10V$ )
- \*  $R_{DS(ON)} < 22m\Omega @ V_{GS}=10V$
- \*  $R_{DS(ON)} < 32m\Omega @ V_{GS}=4.5V$
- \* Halogen Free

#### SYMBOL

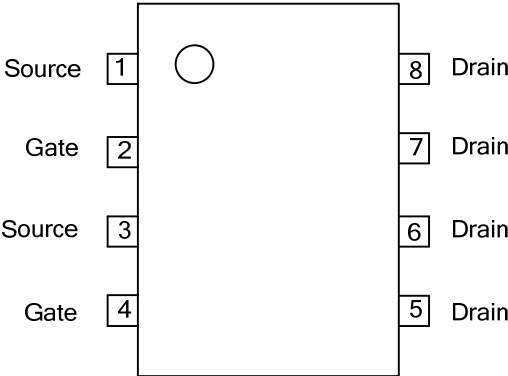


#### ORDERING INFORMATION

Ordering Number	Package	Packing
UT4232G-S08-R	SOP-8	Tape Reel

<p>UT4232G-S08-R</p> <ul style="list-style-type: none"> <li>(1) Packing Type</li> <li>(2) Package Type</li> <li>(3) Halogen Free</li> </ul>	<ul style="list-style-type: none"> <li>(1) R: Tape Reel</li> <li>(2) S08: SOP-8</li> <li>(3) G: Halogen Free</li> </ul>
---	---

■ PIN CONFIGURATION



### ■ ABSOLUTE MAXIMUM RATINGS

PARAMETER	SYMBOL	RATINGS	UNIT
Drain-Source Voltage	$V_{DSS}$	30	V
Gate-Source Voltage	$V_{GSS}$	±20	V
Continuous Drain Current (Ta=25°C)(Note 2)	$I_D$	7.8	A
Pulsed Drain Current (Note 3)	$I_{DM}$	30	A
Power Dissipation (Ta=25°C)	$P_D$	2	W
Derate above Ta>25°C		0.016	W/°C
Junction Temperature	$T_J$	+150	°C
Junction and Storage Temperature Range	$T_{STG}$	-55 ~ +150	°C

Note: 1. Absolute maximum ratings are those values beyond which the device could be permanently damaged.

Absolute maximum ratings are stress ratings only and functional device operation is not implied.

2. Surface mounted on 1 in<sup>2</sup> copper pad of FR4 board, t≤10sec; 135°C/W when mounted on min

3. Pulse width limited by  $T_{J(MAX)}$

### ■ THERMAL DATA

PARAMETER	SYMBOL	MIN	TYP	MAX	UNIT
Junction to Ambient	$\theta_{JA}$		62.5		°C/W

Note: Surface mounted on 1 in<sup>2</sup> copper pad of FR4 board, t≤10sec; 135°C/W when mounted on min

### ■ ELECTRICAL CHARACTERISTICS (T<sub>J</sub> = 25°C, unless otherwise specified)

PARAMETER	SYMBOL	TEST CONDITIONS	MIN	TYP	MAX	UNIT
<b>OFF CHARACTERISTICS</b>						
Drain-Source Breakdown Voltage	$BV_{DSS}$	$V_{GS}=0\text{ V}, I_D=250\ \mu\text{A}$	30			V
Breakdown Voltage Temperature Coefficient	$\Delta BV_{DSS}/\Delta T_J$	Reference to 25°C, $I_D=1\text{mA}$		0.02		V/°C
Drain-Source Leakage Current	$I_{DSS}$	$V_{DS}=30\text{ V}, V_{GS}=0\text{ V}$			1	μA
Gate-Source Leakage Current	$I_{GSS}$	$V_{GS}=\pm 20\text{ V}, V_{DS}=0\text{ V}$			±100	nA
<b>ON CHARACTERISTICS</b>						
Gate Threshold Voltage	$V_{GS(TH)}$	$V_{DS}=V_{GS}, I_D=250\ \mu\text{A}$	1		3	V
Drain-Source On-State Resistance	$R_{DS(ON)}$	$V_{GS}=10\text{ V}, I_D=7\text{ A}$			22	mΩ
		$V_{GS}=4.5\text{ V}, I_D=5\text{ A}$			32	mΩ
<b>DYNAMIC PARAMETERS</b>						
Input Capacitance	$C_{ISS}$	$V_{DS}=25\text{ V}, V_{GS}=0\text{ V}, f=1\text{MHz}$		720	1150	pF
Output Capacitance	$C_{OSS}$			230		pF
Reverse Transfer Capacitance	$C_{RSS}$			200		pF
<b>SWITCHING PARAMETERS</b>						
Turn-ON Delay Time	$t_{D(ON)}$	$V_{GS}=10\text{ V}, V_{DS}=15\text{ V}, R_D=15\ \Omega, R_G=3.3\ \Omega, I_D=1\text{ A}$		10		ns
Turn-ON Rise Time	$t_R$			7		ns
Turn-OFF Delay Time	$t_{D(OFF)}$			22		ns
Turn-OFF Fall-Time	$t_F$			8		ns
Total Gate Charge	$Q_G$	$V_{GS}=4.5\text{ V}, V_{DS}=24\text{ V}, I_D=7\text{ A}$		13	21	nC
Gate Source Charge	$Q_{GS}$			3		nC
Gate Drain Charge	$Q_{GD}$			9		nC
<b>SOURCE- DRAIN DIODE RATINGS AND CHARACTERISTICS</b>						
Drain-Source Diode Forward Voltage	$V_{SD}$	$I_S=1.7\text{ A}, V_{GS}=0\text{ V}$			1.2	V
Reverse Recovery Time	$t_{RR}$	$I_S=7\text{ A}, V_{GS}=0\text{ V}, dI/dt=100\text{A}/\mu\text{s}$		16		ns
Reverse Recovery Charge	$Q_{RR}$			8		nC

UTC assumes no responsibility for equipment failures that result from using products at values that exceed, even momentarily, rated values (such as maximum ratings, operating condition ranges, or other parameters) listed in products specifications of any and all UTC products described or contained herein. UTC products are not designed for use in life support appliances, devices or systems where malfunction of these products can be reasonably expected to result in personal injury. Reproduction in whole or in part is prohibited without the prior written consent of the copyright owner. The information presented in this document does not form part of any quotation or contract, is believed to be accurate and reliable and may be changed without notice.