

**PLEASE CHECK WWW.MOLEX.COM FOR LATEST PART INFORMATION**

**Part Number:** [0468190012](#)  
**Status:** **Active**  
**Description:** High Power Terminal 60A, 8Awg Crimp, 0.76µm (30µ") Gold (Au)

**Documents:**

[Drawing \(PDF\)](#) [RoHS Certificate of Compliance \(PDF\)](#)

**General**

Product Family	Crimp Terminals
Series	<a href="#">46819</a>
Crimp Quality Equipment	Yes
Product Name	N/A

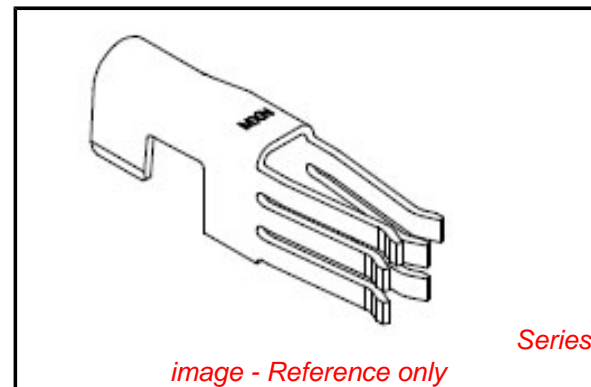
**Physical**

Gender	Female
Material - Metal	Copper
Material - Plating Mating	Nickel
Material - Plating Termination	Gold
Packaging Type	Reel
Plating min: Termination (µin)	0.76
Plating min: Termination (µm)	30
Termination Interface: Style	Crimp or Compression
Wire Insulation Diameter	6.02mm (.237") max
Wire Size AWG	8
Wire Size mm <sup>2</sup>	N/A

**Material Info**

**Reference - Drawing Numbers**

Sales Drawing	SD-46819-001
---------------	--------------



**EU RoHS**

**ELV and RoHS  
Compliant**  
**REACH SVHC  
Contains SVHC: No**  
**Halogen-Free  
Status**

**China RoHS**



**Need more information on product  
environmental compliance?**

Email [productcompliance@molex.com](mailto:productcompliance@molex.com)  
 For a multiple part number RoHS Certificate of  
 Compliance, [click here](#)

Please visit the [Contact Us](#) section for any  
 non-product compliance questions.

**Search Parts in this Series**

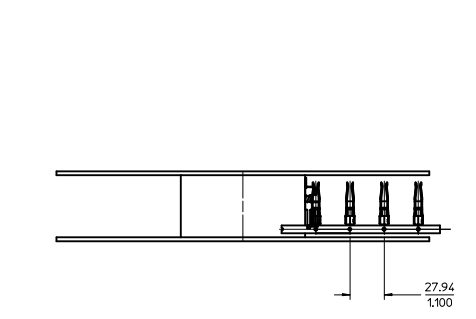
[46819Series](#)

**Mates With**

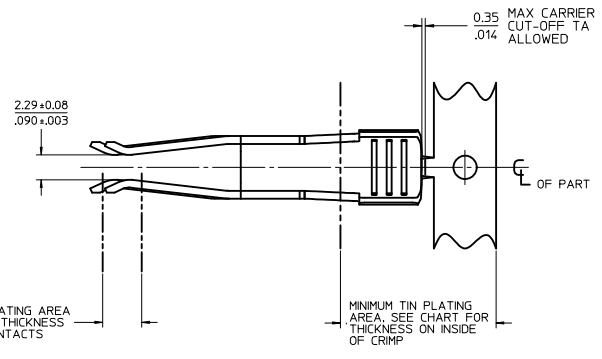
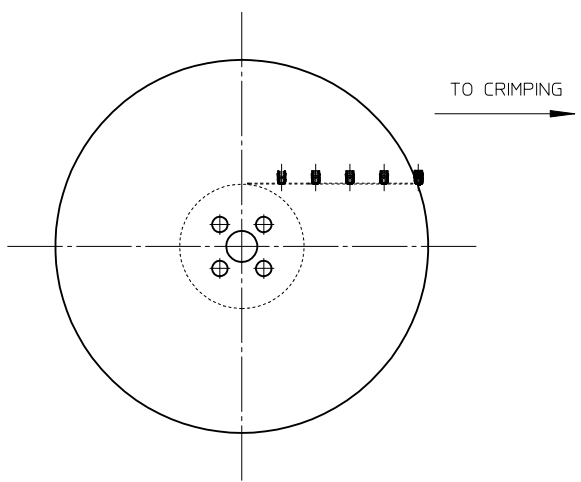
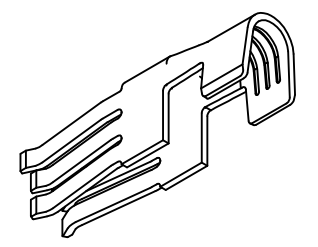
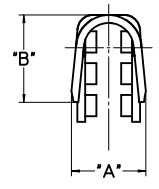
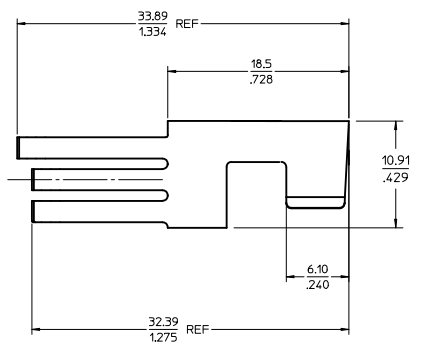
[46817 Housing](#)

PART NUMBER	CRIMP SIZE	NUMBER OF TERMINALS PER REEL	PLATING	DIM 'A' WIDTH	DIM 'B' HEIGHT
46819-0001	10	****		5.37+0.25 -210+010	5.97+0.38 -235+015
46819-0002	8	****	100μ INCHES OF MATTE TIN OVERALL OVER 50μ INCHES OF NICKEL OVERALL	7.12+0.25 -280+010	7.84+0.30 -309+012
46819-0003	6	****		7.62+0.25 -300+010	8.92+0.30 -350+012
46819-0011	10	****		5.37+0.25 -210+010	5.97+0.38 -235+015
46819-0012	8	****	100μ INCHES OF MATTE SELECT TIN OVER 50μ INCHES OF NICKEL OVERALL WITH 30μ INCHES OF SELECT GOLD	7.12+0.25 -280+010	7.84+0.30 -309+012
46819-0013	6	****		7.62+0.25 -300+010	8.92+0.30 -350+012

- NOTES:
- MATERIAL: COPPER ALLOY .80/.032 THICK
  - FINISH: PER MOLEX PLATING SPECIFICATION ES-88 - SEE CHART
  - FOR CRIMP TOOLING CONTACT MOLEX OR VISIT THE MOLEX WEBSITE AT: [WWW.MOLEX.COM](http://WWW.MOLEX.COM)
  - SEE PRODUCT SPECIFICATION: PS-46819-001 FOR MORE INFORMATION
  - (A2)** FOR CRIMP SET UP INFORMATION SEE MOLEX APPLICATION SPECIFICATION DOCUMENT:
    - 6 AWG - ATS-638320600
    - 8 AWG - ATS-638320700
    - 10 AWG - ATS-638320800
  - DESIGNED TO MATE WITH MOLEX P/N 46817-1\*\*\*\*
  - TERMINAL FOR USE WITH HOUSING 46818-0001
  - TERMINAL FOR USE WITH TPA 46821-0001



27.94  
1.100



MINIMUM GOLD PLATING AREA  
SEE CHART FOR THICKNESS  
ON INSIDE OF CONTACTS

MINIMUM TIN PLATING AREA - SEE CHART FOR THICKNESS ON INSIDE OF CRIMP

6 AWG CRIMP SHOWN FOR REFERENCE ONLY

REVISED NOTE EC NO. UCP2010-1563 DRAWN: JUILLES CHKD: 2010/01/11 APPR: APATEL DATE: 2010/01/12	QUALITY SYMBOLS	GENERAL TOLERANCES (UNLESS SPECIFIED)	DIMENSION STYLE MM/IN	SCALE 4:1	DESIGN UNITS METRIC	THIRD ANGLE PROJECTION
	▽=0	4 PLACES ±.005 3 PLACES ±.010 2 PLACES ±0.13 1 PLACE ±0.25	DRAFT WHERE APPLICABLE MUST REMAIN WITHIN DIMENSIONS	DRAWN BY JUILLES DATE 2009/03/09	CHECKED BY MATA DATE 2009/03/09	APPROVED BY APATEL DATE 2009-03/10
A2	SIZE D	MATERIAL NO. SEE CHART	MOLEX INCORPORATED		DOCUMENT NO. SD-46819-001	SHEET NO. 1 OF 1